

Test adapters

Type / printed board versions

Epoxy resin fibreglass EP-GC02 complying with DIN 40802 (FR4).

Outside connections (e.g. pins 1a, b, c and pins 32a, b, c) each with wide track or large-area tracks on inner layers – e.g. for shielding V_{CC} , GND.

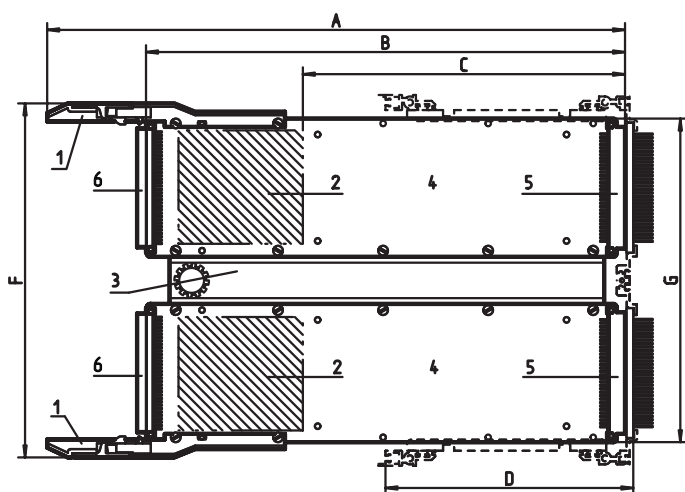
Type

1L	PCB single side (suitable up to 2 MHz)
2L	PCB double side and through-plated (suitable up to approx. 8 MHz)
4L	Multi-layer, 4-layer (suitable from 8 MHz) Multi-layer technology with large-area inner layers (signal–face–face–signal). On the coax version, the large-area inner layers can be soldered onto any pins by means of power links.
9L	Multi-layer, 9-layer (suitable from 8 MHz) Multi-layer technology with plane inner layers (signal–plane–signal–signal–plane–signal) and shielded wires between the tracks.

Dimension drawings, test adapters

Board height	F mm	G mm
3 U	123.00	100.00
6U	257.00	233.35

Board depth	A mm	B mm	C mm	D mm
160mm	363	290	190	175.24
220 mm	423	350	250	235.24
220 mm	408	350	250	295.24
280 mm	483	410	310	355.24
340 mm	543	470	370	415.24



taa43143

- 1) Guide rail
- 2) Measuring field
- 3) Extraction aid
- 4) Test adapter
- 5) Connector (male)
- 6) Connector (female)