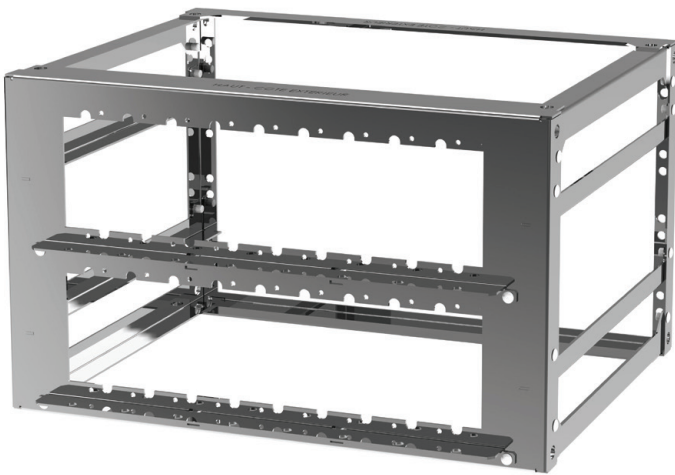


On Board Rack (OBR)

DURABLE FRAME TO SUPPORT 19" ELECTRONICS IN TRANSPORT APPLICATIONS



The nVent SCHROFF On Board Rack (OBR) is the ideal solution to install 19" (84 TE) and 36 TE electronics on trains, trucks, ships and other vehicles, where a lightweight solution for a secure, durable and reliable mounting is required.

Manufactured from corrosion resistant stainless steel and welded to meet AWS and EN 15085 (CL2), On Board Racks are designed to withstand the tough environmental conditions in vehicles with permanent vibration, shock, high temperatures and humidity.

The On Board Racks are available in heights of 3, 6 or 9 U for 1, 2, or 3 SNCF subracks (NF F 61-005 and NF F 60-002), each supported by a set of slide rails.

The rear side is designed to accept standard connectors. The cross bars can be custom coded with positioned holes to accept coding pins or SNCF subracks.

SCHROFF ON BOARD RACKS, FEATURES AND BENEFITS

Welded stainless steel rack design

- Durable, corrosion resistant, vibration resistant

The compact size and narrow width

- Installation of electronics in locations where space is limited, such as train lockers, is ideal for both new installations and retrofit applications

Rigid rack yet open on all sides

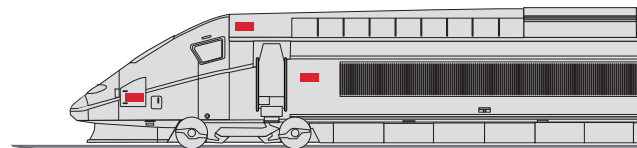
- Light weight and strong supporting energy efficiency
- Installed electronics are easily accessible
- Optimum ventilation and heat dissipation

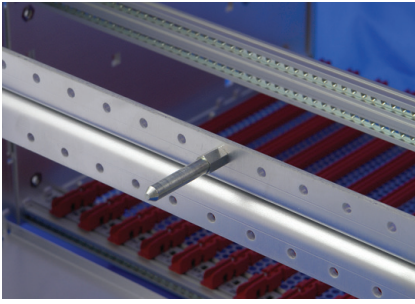
Modular concept

- The On Board Rack can be floor or ceiling mounted, for extra installation flexibility
- Multiple racks can be stacked on top of each other or side-by-side for a wide range of electronics systems

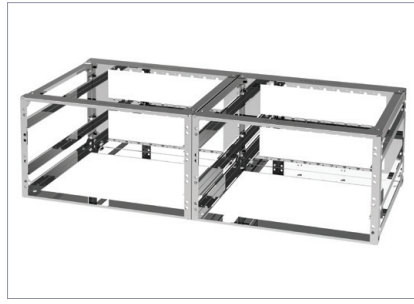
Open on all sides, cross bar with integrated cable bar

- Simplifies organizing cables with cable ties and provides additional stability

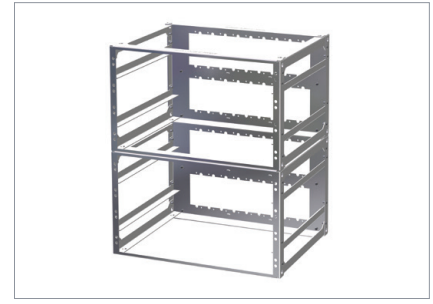




The cross bars can be custom coded to only accept the correct subrack.



A side-by-side kit allows attaching multiple On Board Racks sideways.



The stacking kit allows mounting of multiple On Board Racks on top of each other.

INFORMATIONS

Dimensions	Height	Width	Article No.	Weight
3U	156,7 mm	36 HP	10170-015	2 920 g
		84 HP	10170-014	3 950 g
6U	290,0 mm	36 HP	10170-013	3 850 g
		84 HP	10170-012	5 100 g
9U	423,4 mm	36 HP	10170-017	4 800 g
		84 HP	10170-016	6 260 g
Depth	341,8 mm			
Material	2,0 mm stainless steel			
Certifications	Designed according to <ul style="list-style-type: none"> • NF F 61-005 • CF 61-002 Manufactured per welding certification EN 15085 (CL2) Designed to meet EN 61373			
Accessories	Side-by-side ganging and stacking kit		20170-042	

Europe

Straubenhardt, Germany
 Tel: +49.7082.794.0
 schroff.de@nvent.com

Betschdorf, France
 Tel: +33.3.88.90.64.90
 schroff.fr@nvent.com

Warsaw, Poland
 Tel: +48.22.209.98.35
 schroff.pl@nvent.com

Hemel Hempstead, Great Britain
 Tel: +44.1442.24.04.71
 schroff.uk@nvent.com

Lainate, Italy
 Tel: +39.02.932.714.1
 schroff.it@nvent.com

North America

All locations
 Tel: +1.800.525.4682
 AskSchroff@nvent.com

Middle East & India

Dubai, United Arab Emirates
 Tel: +971.4.37.81.700
 schroff.mea@nvent.com

Bangalore, India
 Tel: +91.80.6715.2001
 contact.marketing@nvent.com

Istanbul, Turkey
 Tel: +90.216.250.7374
 schroff.tr@nvent.com

Asia

Shanghai, China
 Tel: +86.21.2412.6943
 schroff_china@nvent.com

Qingdao, China
 Tel: +86.523.8771.6101
 schroff_china@nvent.com

Singapore
 Tel: +65.6768.5800
 schroff_southeastasia@nvent.com

Shin-Yokohama, Japan
 Tel: +81.45.476.0271
 schroff_japan@nvent.com



nVent.com

Our powerful portfolio of brands:

CADDY ERICO HOFFMAN RAYCHEM SCHROFF TRACER