



WEIGHT

0.14 g/cm (.012 oz./in.)

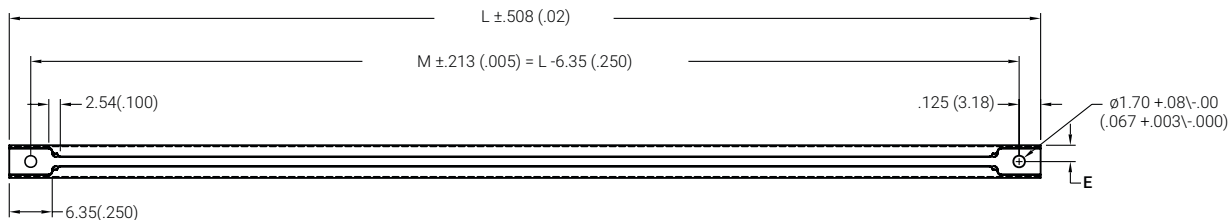
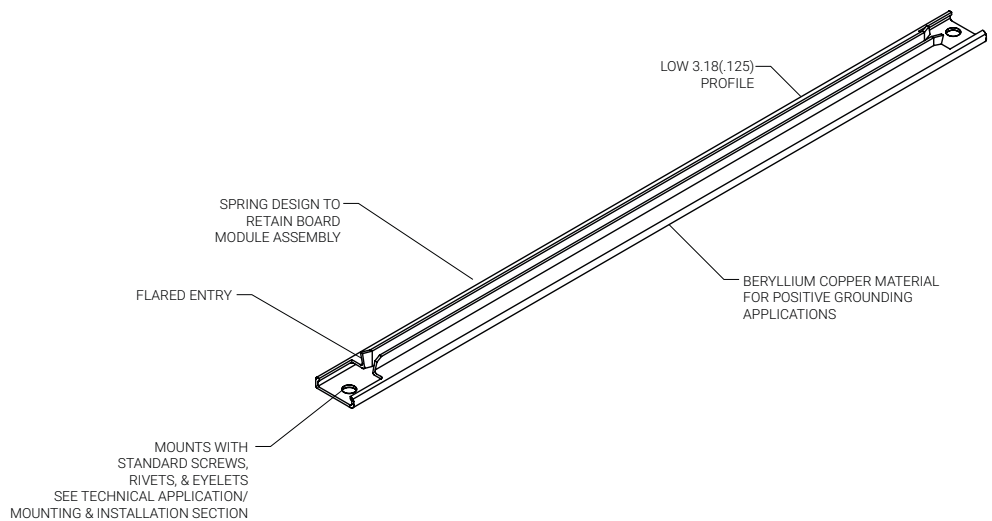
MATERIALS AND FINISH

Material:

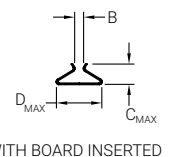
.15 (.006) Beryllium
Copper per ASTM B-194

Finish:

See finish table on
opposite page



Units: mm(in)
unless specified otherwise,
.xx = ±.25, x = ±.5
(.xxx = ±.010, .xx = ±.02)



MATERIALS TABLE

CODE	
B	BERYLLIUM COPPER, 1/4H PER ASTM-B-194
BH	BERYLLIUM COPPER, 1/4H PER QQ-C-533, HEAT TREATED
CR	STAINLESS STEEL, TYPE 301 COND 1/4H PER AMS 5517

DIMENSION TABLE

CODE	BOARD THICKNESS			
	B	C MAX	D MAX	E
-1	0.79(.031)	3.30(.130)	4.83(.190)	2.42(.095)
-2	1.59(.063)	3.30(.130)	4.83(.190)	2.42(.095)
-3	2.38(.094)	3.30(.130)	5.08(.200)	2.54(.100)
-4	3.18(.125)	3.30(.130)	5.33(.210)	2.67(.105)

FINISH TABLE

CODE	
-1	NONE
-3	CADMIUM PER QQ-P-416, TYPE 2, CLASS 2
-5	GOLD PLATE PER MIL-G-45204, TYPE 1, GLASS 1
-6	NICKEL PLATE PER QQ-N-290, CLASS 1, GRADE G, BRIGHT
-7	ZINC PLATE CLEAR CHROMATE, PER ASTM-B-633, Fe/Zn 8
-8	ZINC PLATE YELLOW CHROMATE, PER ASTM-B-633, Fe/Zn 8

NO DASH NUMBER REQUIRED FOR CR MATERIAL. STAINLESS STEEL PARTS ARE PASSIVATED ONLY.

Part Number Code

21 B - 2 - 10 - 5

Material
Beryllium Copper _____ **B**
or select from Materials Table

Board Thickness
1.59(.063) PCB Thickness _____ **2**
or select from Dimension Table

Length
Length in 12.7 (.50) increments _____ 4 [50.8 (2.00)]
_____ to 20 [254.0 (10.00)]

Finish
Gold Plate _____ **5**
or select from Finish Table

Part number code examples: 21B-3-10-6

21 Series PCB-TAINER, Beryllium Copper, for 2.39-mm (.094-in.) thick board, 127.0-mm (5.00-in.) long, Nickel Plate finish.

