



SERIES 42 WEDGE LOK

DSCC 84103 & CID 59590

RECOMMENDED GAP WIDTH

PCB + 6.35 (.250)

RECOMMENDED TORQUE

80 N-cm (7 in-lbs)

WEIGHT

.89 g/cm (.080 oz/in)

MATERIALS AND FINISH

WEDGES

Material: Aluminum Alloy 6061-T6 per QQ-A-200/8

Finish: See finish table on opposite page

SCREW

.09-in. or 2.5-mm hex. socket head cap screw, depending on mounting configuration

Material: 300 series stainless steel per QQ-S-763 ASTM A-582

Finish: Passivated per AMS2700

OPTIONAL LOCK AND FLAT WASHER

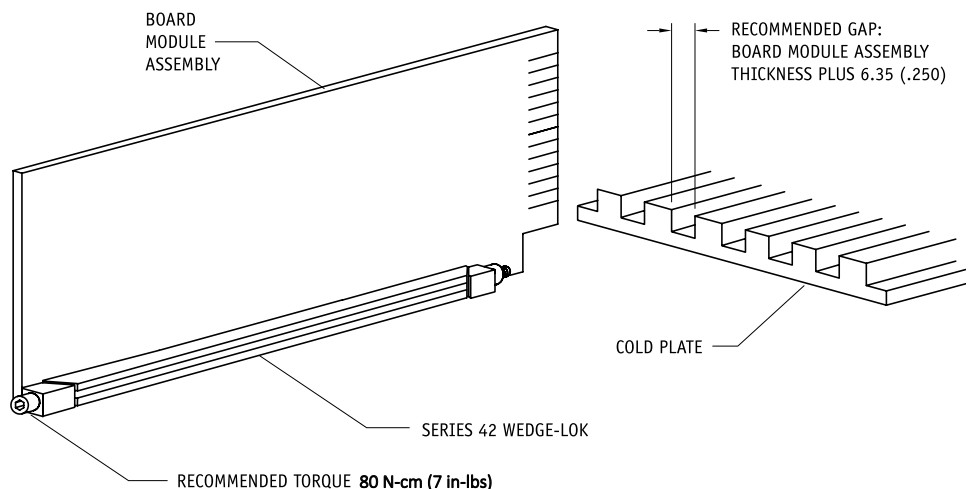
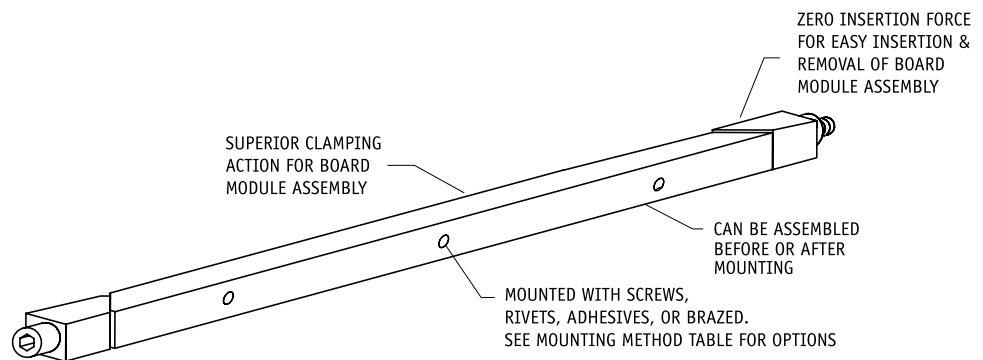
Material: 300 series stainless steel per QQ-S-763 and ASTM A-582

Finish: Passivated per AMS2700

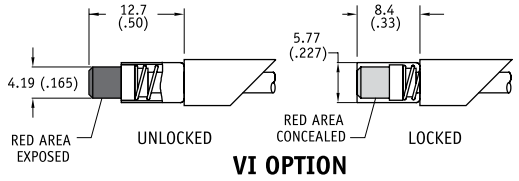
OPTIONAL LOCKNUT

Material: Type A286 stainless steel per ASTM AMS 5525

Finish: Silver plate per AMS 2410

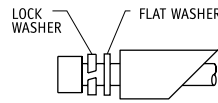


SERIES 42 WEDGE LOK



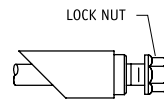
VI OPTION

Indicates assembly is unlocked (adds 5.1 (.20) to screw length)



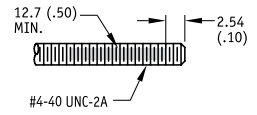
LF OPTION

Provides additional resistance to shock and vibration (adds 2.5 (.10) to screw length)



LN OPTION

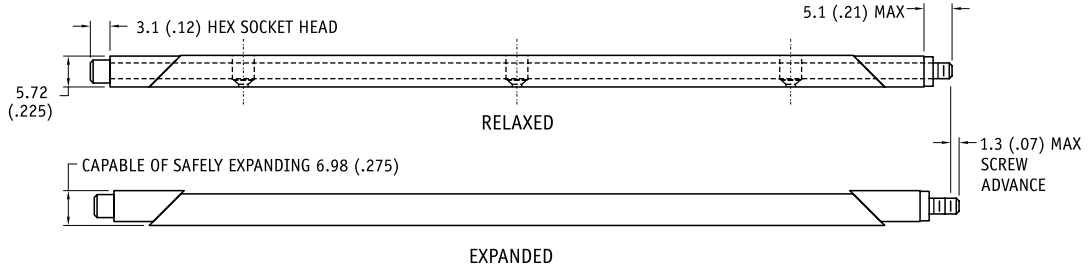
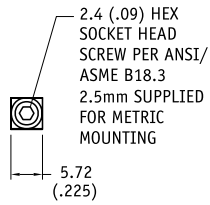
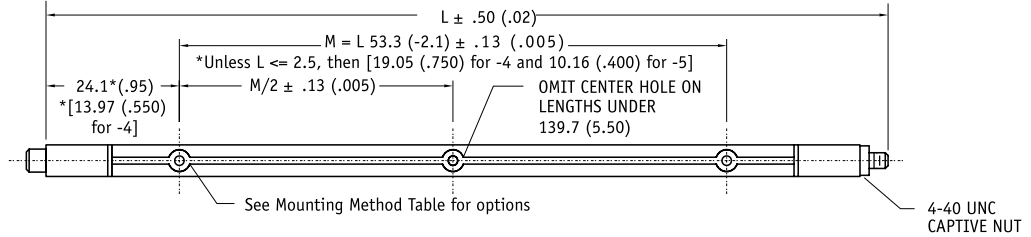
Captivates rear wedge when untorqued (adds 2.5 (.10) to screw length)



L OPTION

Provides additional resistance to shock and vibration

Units: mm(in)
unless specified otherwise,
.xx = ± .25, .x = ± .5
(.xxx = ±.010, .xx = ± .02)



Part Number Code	
Series 41 WEDGE-LOK Three-piece	42 VI - 10 - B - LF - LN - S - L
Optional Visual Indicator	
Visual Indicator	VI
None	[Blank]
Length	
Length in 12.7 (.50) increments	4 [50.8 (2.00)]
	to 24 [304.8 (12.00)]
Finish	
Black Anodized	B
or select code letter from Finish Table	
Lock/Flat Washers and Locknut	
Lock Washer and Flat Washer	LF
None	[Blank]
Lock Nut	LN
None	[Blank]
Mounting	
2-56 UNC-2B Tapped Holes	S
Or select code letter from Mounting Method Table	
Lock Patch	
Lock Patch	L
None	[Blank]

Part Number Code example: 42VI-12-LF

Series 42 WEDGE-LOK Three-piece, 152.4 (6.00) long, with Visual Indicator option, Chem Film finish, standard rivet hole mounting, and Lock and Flat Washer option.

FINISH TABLE

CODE LETTER	SURFACE FINISH
[blank]	CHEMICAL FILM PER MIL-DTL-5541, TYPE I, CLASS 1A, GOLD, NON ROHS COMPLIANT
CC	CHEMICAL FILM PER MIL-DTL-5541, TYPE II, CLASS 1A, CLEAR
EN	ELECTROLESS NICKEL PER MIL-C-26074, CLASS 4, GRADE B, BRIGHT
N	NICKEL PLATE PER QQ-N-290, CLASS 1, GRADE G, BRIGHT
B	BLACK ANODIZE PER MIL-A-8625, TYPE II, CLASS 2
B3	HARD BLACK ANODIZE PER MIL-A-8625, TYPE III, CLASS 2 HARD
B3D	BLACK ANODIZE WITH DRY FILM LUBE PER MIL-L-46010

MOUNTING METHOD TABLE

CODE LETTER	METHOD
[blank]	RIVET MOUNT (Ø 1.70 + .10/- .03 (.067 + .004/.001) THRU L J Ø 3.96 (.156) ≅ 5.08 (.200) √ Ø 3.56 (.140) x 100°)
A	NO MOUNTING HOLES
S	2-56 UNC-2B TAPPED HOLE
T	0-80 UNF-2B TAPPED HOLE
M2	M2 X .40 TAPPED HOLE
M	M2.5 X .45 TAPPED HOLE
NOTE:	RIVET (BLANK) PARTS ARE SHIPPED UNASSEMBLED



SCHROFF

nVent may modify standard parts without prior notice to or approval from customers. These modifications may change product appearance, but will not have a detrimental effect on form, fit or function. ©2018 nVent. All nVent marks and logos are owned or licensed by nVent Services GmbH or its affiliates. All other trademarks are the property of their respective owners. nVent reserves the right to change specifications without notice.