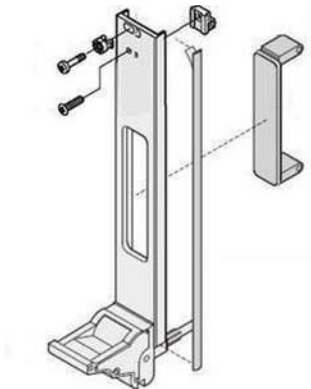


BEZEL FOR VITA 57 PIU



REQUIREMENT

Modified bezel for PIU for a Vita 57.1 application.



CHALLENGE

Assembly of all components of the PCB. Colour of the customer logo (not displayed in the image).



SOLUTION

Based on the standard PIU for VITA 57.1, the modified bezel was created. Customer can order this PIU with one order number and can easily assemble his components.

Project Details

Location	Germany
Type of system	Electronic application (Test & Measurement)
Technology	Vita 57.1, FMC application
Product scope	Series
Date/Time frame	09 / 2015
Contract scope	> 30 PIU per order