

# 2-Slot MTCA with Embedded MCH

## MICROTCA CHASSIS - TURNKEY SOLUTION



The new nVent SCHROFF 2-slot MicroTCA with integrated “eMCH” from nVent was developed for designers of high performance applications. This exciting product delivers a cost efficient system in a small form factor without compromising fast transfer rates for high data volumes. The integration of the MCH, power supply and cooling unit dramatically reduces the cost of a system while still providing a complete infrastructure.

The 2-slot SCHROFF MicroTCA System is designed to accommodate one or two AMC modules for maximum computing power in minimal space. The system is ready for immediate service because of the integrated eMCH, power supply and cooling unit.

Power and cooling management ensures a high degree of availability and reliability. A 1GbE switch connected to a 1GbE uplink on the eMCH links the system components directly to the existing network infrastructure.

The cost-effective design off-the-shelf (COTS) chassis serves as a basic building block for small form factor and high-performance applications.

### TECHNICAL DETAILS

- For full- and mid-size AMC modules
- AC power input (100 ... 240 VAC)
- Built-in 150 W PSU
- Side-to-side cooling with fan speed control and cooling capability of 150W
- Ethernet uplink and USB interface
- In accordance with PICMG MTCA.0 R1.0 specification

### BENEFITS

- Cost optimized due to modular standard components and integrated design
- Stackable for scalable applications
- Integrated power supply, management and switch leads to faster integration time and cost savings
- Interoperability by specification-conforming components
- EMC shielded

# 2-Slot MTCA with Embedded MCH

## BACKPLANE

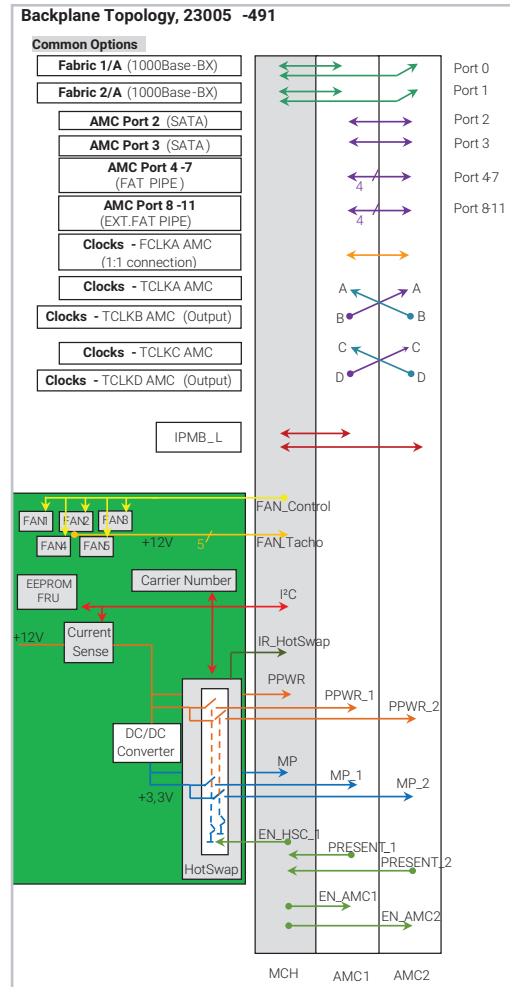
- Backplane according to PICMG MTCA.0 Rev. 1
- All ports are connected between the two slots
- Supports hot-swap function
- Supports IPMI management and control
- Customized modifications possible

## SMALL FORM FACTOR – BIG CONTENT

- Height 1U
- Width: 264mm
- Depth: 302mm
- Customized design optional

## ORDER INFO

Description	Item number
2-Slot MicroTCA with embedded MCH	11850-016



For More Information: [nVent.com/SCHROFF](http://nVent.com/SCHROFF)

### Europe

Straubenhardt, Germany  
Tel: +49.7082.794.0

Betschdorf, France  
Tel: +33.3.88.90.64.90

Warsaw, Poland  
Tel: +48.22.209.98.35

Hemel Hempstead, Great Britain  
Tel: +44.1442.24.04.71

Skarpnäck, Sweden  
Tel: +46.8.683.61.00

Lainate, Italy  
Tel: +39.02.932.714.1

Moscow, Russia  
Tel: +7.495.926.18.85

### North America

Warwick, RI  
Tel: +1.800.525.4682

San Diego, CA  
Tel: +1.800.525.4682

### Middle East & India

Dubai, United Arabian Emirates  
Tel: +971.4.37.81.700

Bangalore, India  
Tel: +91.80.6715.2001

Istanbul, Turkey  
Tel: +90.216.250.7374

### Asia

Shanghai, P.R. China  
Tel: +86.21.2412.6943

Singapore  
Tel: +65.6768.5800

Shin-Yokohama, Japan  
Tel: +81.45.476.0271



[nVent.com](http://nVent.com)

Our powerful portfolio of brands:

CADDY ERICO HOFFMAN RAYCHEM SCHROFF TRACER