

CONNECT AND PROTECT

19"-Lab Racks

12/2022


nvent

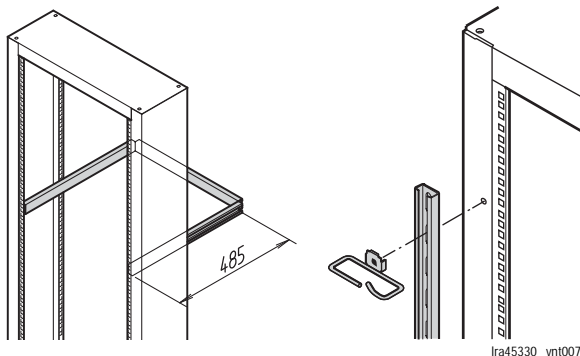
SCHROFF

Cabinets – 19" lab racks

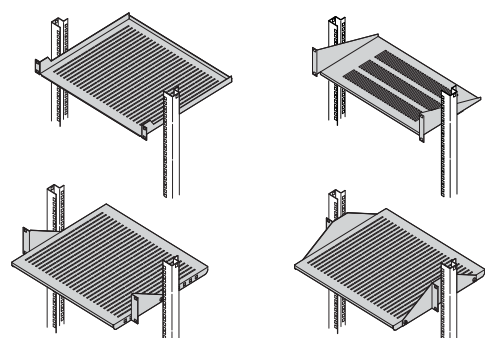
OVERVIEW

MAIN CATALOG

- Cabinets 1
- Wall mounted cases 2
- Accessories for cabinets and wall mounted cases . . 3
- Climate control . . 4
- Electronics cases 5
- Subracks/ 19" chassis 6
- Front panels, plug-in units 7
- Systems 8
- Power supply units 9
- Backplanes 10
- Connectors, front panel component system 11
- Appendix 12



Cable ducting on the front and rear side



Large selection of equipment shelves

01305003

01505050

APPLICATION/FUNCTION

19" lab racks are freely accessible from all sides. Subracks, 19" cases and 19" shelves can be mounted. Two angled steel uprights are screw-fixed on the base part (mobile base/plinth and base plate respectively). The 19" cut-outs of the steel uprights are recessed so far that a flat surface for front panels is created. At the top, the two profiles are connected by a cover plate which gives the rack additional stability.

The base/plinth of the mobile 19" lab rack has two fixed rear castors and two locking castors at the front. The 100 mm roller diameter ensures both good mobility and high stability.

A base plate from sheet steel forms the plinth for the stationary 19" lab rack.

STANDARDS/CERTIFICATIONS

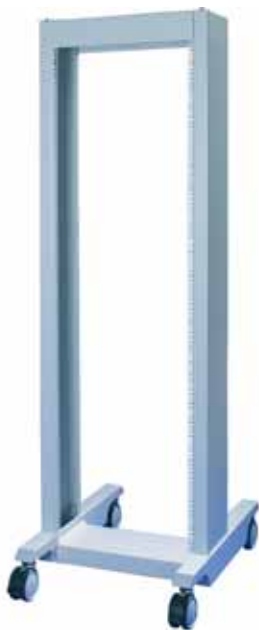
- Internal and external dimensions in accordance with:
IEC 60297-3-100

Cabinets – 19" lab racks

OVERVIEW

19" LAB RACK

- Mobile or stationary
- Various shelves
- Accessories for cable ducting



01305001

MOBILE

- 36 U
- Load-carrying capacity up to max. 200 kg



01305002

STATIONARY

- 24 and 39 U
- Load-carrying capacity up to max. 150 kg

SERVICEPLUS

- e.g. modification (special colours)
- e.g. custom solutions (special sizes)

Overview 1.354

19" lab racks

19" lab rack, mobile 1.356

19" lab rack, stationary 1.357

Panel mounts 1.358

Cable support rail 1.358

C-profiles 1.359

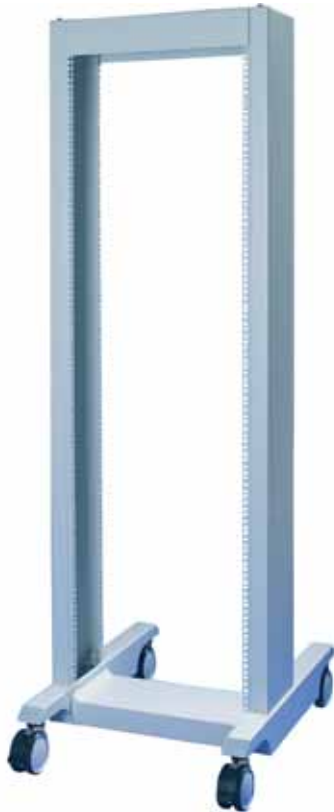
Cable eyes for C-profile 1.359

19" equipment shelves 1.361

Slide rails 1.361

Cabinets – 19" lab racks

19" LAB RACK, MOBILE



- Stationary load-carrying capacity 200 kg at a defined centre of gravity in the centre of the lab rack
- Recommended max. chassis depth 400 mm

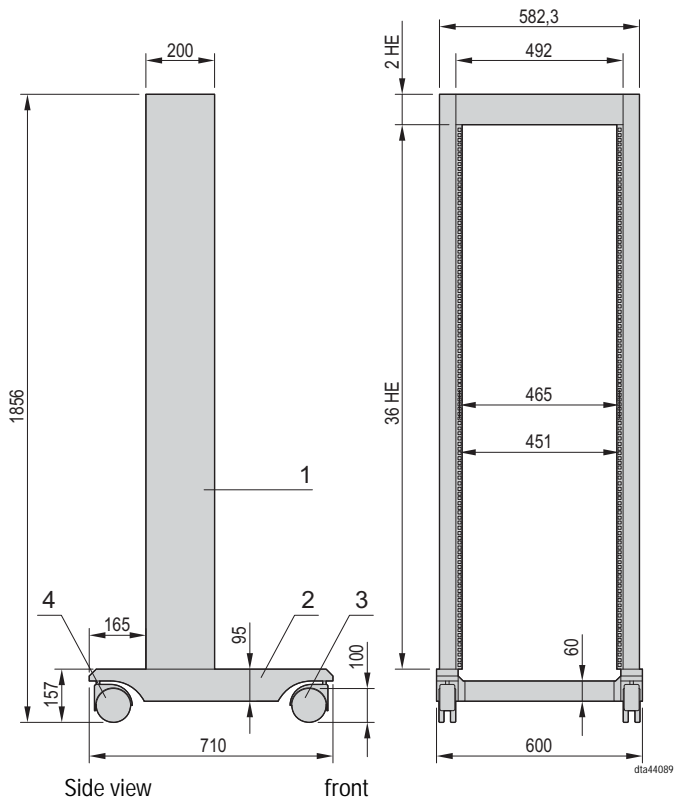
DELIVERY COMPRISES (assembled)

Item	Qty	Description
1	1	19" frame, St, 2 mm, RAL 7035, with EIA cut-outs
2	1	Mobile base/plinth, Al, die-cast, RAL 7035
3	2	Castor, plastic (PA), with rubber insert
4	2	Locking castor, plastic (PA), with rubber insert

ORDER INFORMATION

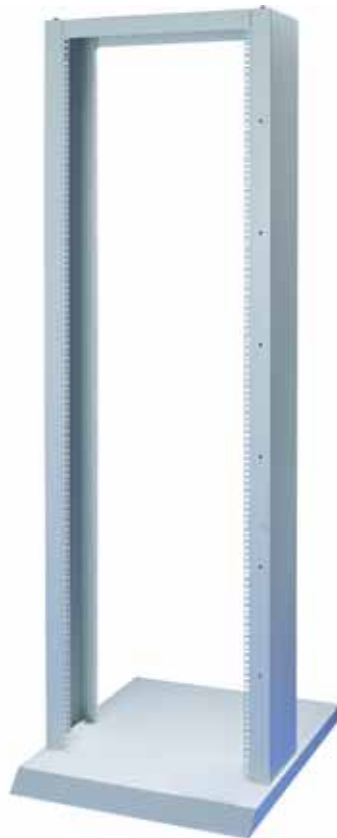
Description	Part no.
19" lab rack, mobile, useable height 36 U	10117-498
19" assembly kit (50 x screws, 50 x washers, 50 x nuts)	21101-809
19" assembly kit (100 x screws, 100 x washers, 100 x nuts)	21101-810

01305001



Cabinets – 19" lab racks

19" LAB RACK, STATIONARY



- Modular design with base/plinth and cover plate, please order uprights according to desired height separately
- Stationary load-carrying capacity 150 kg, at a defined centre of gravity in the centre of the lab rack
- Recommended max. chassis depth 400 mm

DELIVERY COMPRISES (kit)

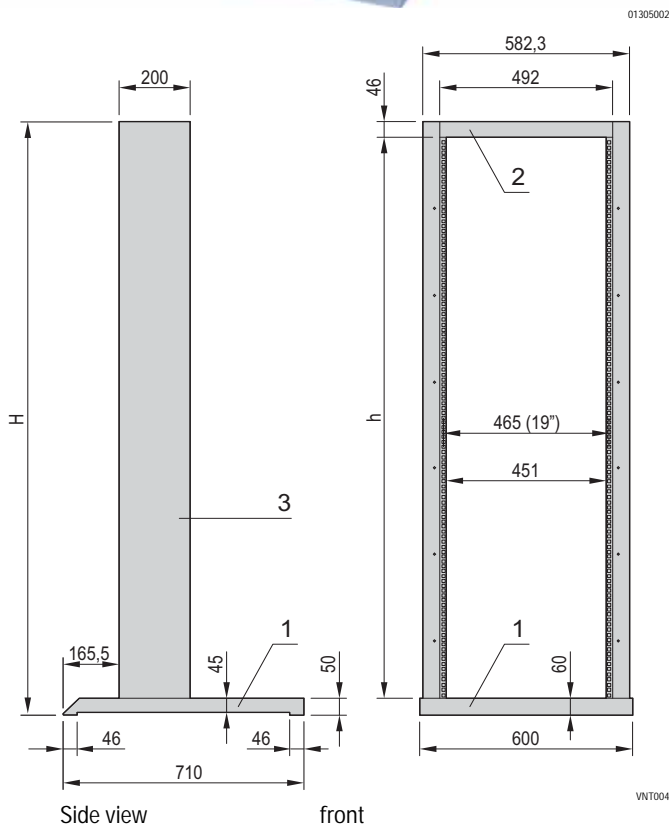
Item.	Qty	Description
1	1	Base/plinth, St, 2 mm, RAL 7035
2	1	Trim at top, St, 1.5 mm, RAL 7035
4	1	Assembly kit

ORDER INFORMATION

Description	Item	Part no.
Base and trim	1 + 2 + 4	20118-743
Uprights (item 3) with EIA perforation, 24 U, RAL 7035, PU 2 pieces		20118-741
Uprights (item 3) with EIA perforation, 39 U, RAL 7035, PU 2 pieces		20118-742
Adjustable feet load-carrying capacity 100 kg per foot, PU 4 pieces		21190-571
Castors load-carrying capacity 150 kg per kit, castor diameter 52 mm, PU 4 pieces (2 locking, 2 non-locking)		20118-462
19" assembly kit (50 x screws, 50 x washers, 50 x nuts)		21101-809
19" assembly kit (100 x screws, 100 x washers, 100 x nuts)		21101-810

Technical data

Usable height	h	H
U	mm	mm
24	1067	1164
39	1733	1831

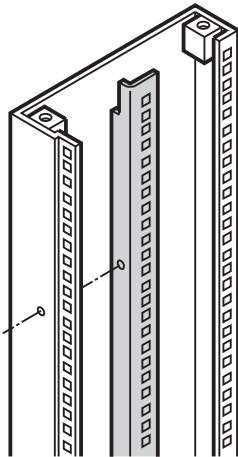


NOTE

- Please order uprights separately

Cabinets – 19" lab racks

PANEL MOUNTS FOR STATIONARY 19" LAB RACK



- Required for fitting of cable retention rails or slide rails on stationary 19" lab rack

DELIVERY COMPRISES

Item	Qty	Description
1	2	Panel mount without assembly kit, St, 1.5 mm, RAL 7035

ORDER INFORMATION

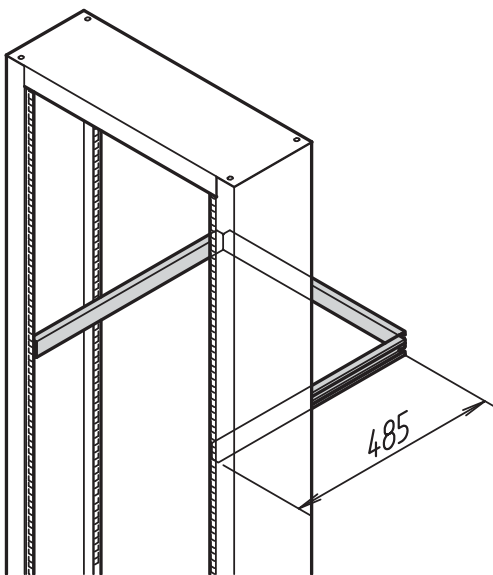
Description	Height U	Part no.
Panel mount	24	20118-744
Panel mount	39	20118-745
Assembly kit PU 1 kit		21101-175

NOTE

- Please order assembly kit separately

WN7011

CABLE SUPPORT RAIL



- For cable ducting and cable strain relief
- Designed for mobile 19" lab rack; with panel mounts also for stationary 19" lab rack

DELIVERY COMPRISES (Kit)

Item	Qty	Description
1	3	C-profile, St, 1.5 mm, zinc-plated
2	2	Corner piece, St, 2 mm, zinc-plated
3	1	Assembly kit

ORDER INFORMATION

Description	Part no.
Cable support rail	20118-460

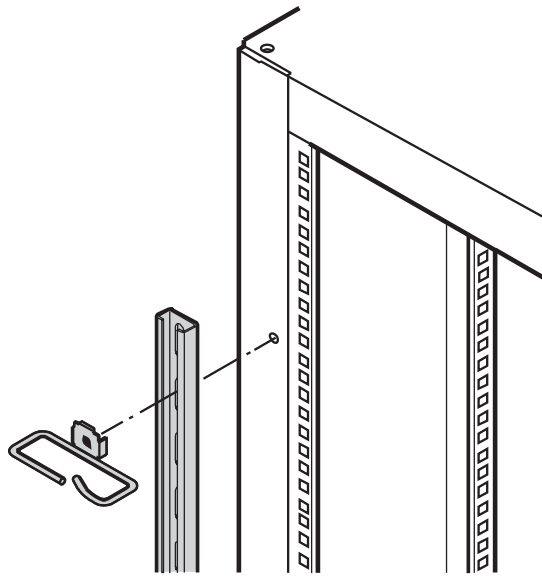
NOTE

- Panel mounts are necessary for assembly on stationary 19" lab racks, please order them separately

LRA45330

Cabinets – 19" lab racks

C-PROFILE FOR STATIONARY 19" LAB RACK



VNT007

- For assembly to the vertical uprights on the right and left hand side of the 19" plane; especially suited for cable eyes

DELIVERY COMPRISES

Item	Qty	Description
1	2	C-profile, St, 1.5 mm, zinc-plated

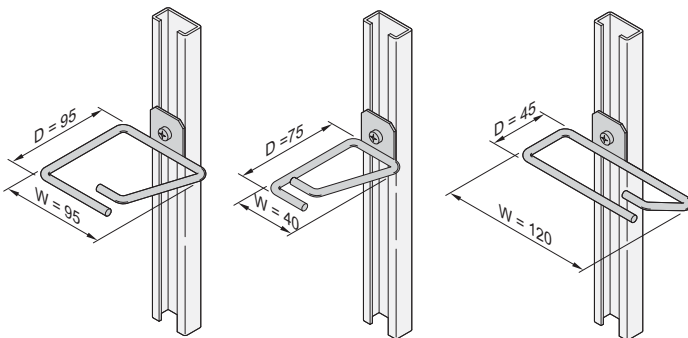
ORDER INFORMATION

Height U	Length mm	Part no.
24	1050	20118-461
39	1650	22114-461
Assembly kit PU 1 kit		21101-175

NOTE

- Please order assembly kit separately
- Not suitable on mobile 19" lab racks

CABLE EYES FOR C-PROFILE



00507050 00507051 00507052

DELIVERY COMPRISES

Item	Qty	Description
1	4	Cable eye, round steel, 6 mm, zinc-plated, with integrated anti-rotation protection

ORDER INFORMATION

Description	W mm	D mm	Part no.
Cable eye for C-profile	120	45	20118-339
Cable eye for C-profile	40	75	20118-554
Cable eye for C-profile	95	95	20118-340
Assembly kit for 4 cable eyes, PU 1 kit			21101-596

NOTE

- Please order assembly kit separately

Cabinets – 19" lab racks

19" EQUIPMENT SHELF, 1 U



00508012

- Static load-carrying capacity 5 kg
- Mounting height 1 U

DELIVERY COMPRISES

Item	Qty	Description
1	1	Equipment shelf, St, 1.5 mm

ORDER INFORMATION

Width mm	Depth mm	AlZn Part no.	RAL 7035 Part no.
447	390	20118-781	20118-783
19" assembly kit (screw, washer, nut) for one equipment shelf			21190-095

19" EQUIPMENT SHELF, 2 U



00508002

- Static load-carrying capacity 10 kg
- Mounting height 2 U

DELIVERY COMPRISES

Item	Qty	Description
1	1	Equipment shelf, St, 1.5 mm

ORDER INFORMATION

Width mm	Depth mm	RAL 7035 Part no.
447	238	20118-785
19" assembly kit (screw, washer, nut) for one equipment shelf		21190-095

19" EQUIPMENT SHELF, DEPTH-ADJUSTABLE, 2 U



- Static load-carrying capacity 15 kg
- Mounting height 2 U
- Depth-adjustable in 25 mm increments (front protrusion min. 26 mm)

DELIVERY COMPRISES (kit)

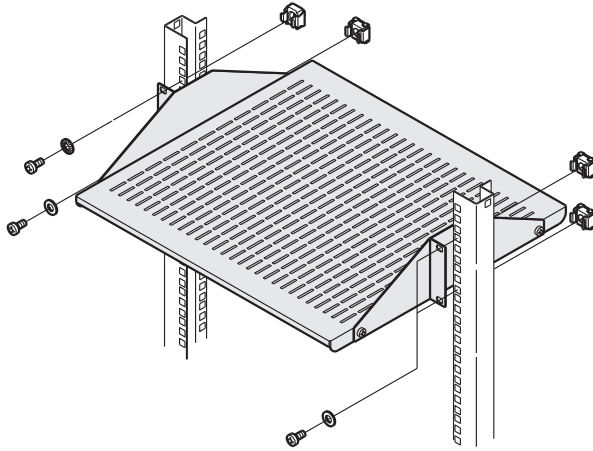
Item	Qty	Description
1	1	Equipment shelf, St, 1.5 mm
2	2	Mounting bracket with assembly kit, St, 1.5 mm

ORDER INFORMATION

Width mm	Depth mm	RAL 7035 Part no.
430	250	
430	300	20118-790
430	400	20118-791
19" assembly kit (screw, washer, nut) for one equipment shelf		21190-095

Cabinets – 19" lab racks

19" EQUIPMENT SHELF WITH FRONT PROTRUSION, 2 U



SZA46423

- Static load-carrying capacity 25 kg
- Mounting height 2 U
- Forward protrusion min. 168 mm

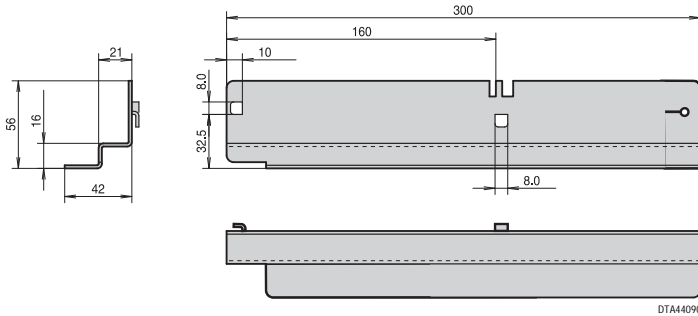
DELIVERY COMPRISES (kit)

Item	Qty	Description
1	1	Equipment shelf, St, 1.5 mm, RAL 7035
2	2	Mounting bracket, strengthened, St, 2/2.5 mm, RAL 7035
3	1	Assembly kit incl. GND/earthing kit

ORDER INFORMATION

Width mm	Depth mm	Part no.
430	400	20119-257

SLIDE RAIL, 40 KG



DTA44090

- For assembly on mobile 19" lab racks; with panel mounts also on stationary 19" lab racks
- Static load-carrying capacity 40 kg per pair

DELIVERY COMPRISES

Item	Qty	Description
1	2 / 10	Slide rail, St, 2 mm, zinc-plated

ORDER INFORMATION

Description	Qty/PU	Part no.
Slide rail, 40 kg	2	20119-080
Slide rail, 40 kg	10	20119-106

NOTE

- Panel mounts are necessary for assembly on stationary 19" labrack, please order separately, see page 1.358

North America

Warwick, RI, USA

Tel +1.401.738.1722

San Diego, CA, USA

Tel +1.858.740.2400

Europe, Middle East & India

Straubenhardt, Germany

Tel +49 7082 794 0

Betschdorf, France

Tel +33 3 88 90 64 90

Warsaw, Poland

Tel +48 22 209 98 35

Hemel Hempstead,

Great Britain

Tel +44 1442 24 04 71

Lainate, Italy

Tel +39 02 932 714 1

Dubai, United Arab Emirates

Tel +971 4 82 38 666

Bangalore, India

Tel +91 80 6715 8900

Istanbul, Turkey

Tel +90 541 368 0941

Asia Pacific

Shanghai, China

Tel +86 21 2412 6943

Singapore

Tel +65 6768 5800

Shin-Yokohama, Japan

Tel +81 45 476 0271

Our powerful portfolio of brands:

CADDY ERICO HOFFMAN RAYCHEM SCHROFF TRACER



[nVent.com/SCHROFF](https://www.nVent.com/SCHROFF)