

CONNECT AND PROTECT

AdvancedMC Carriers


nvent

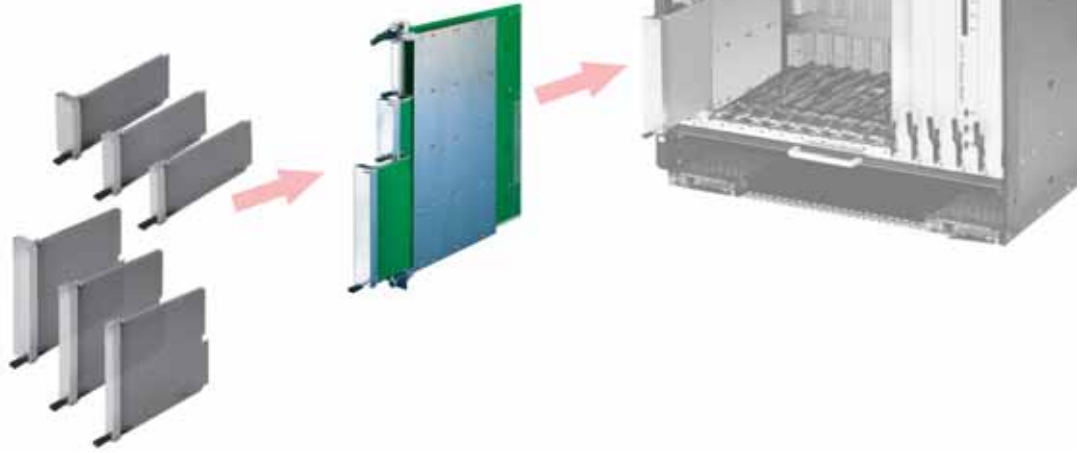
SCHROFF

Systems – AdvancedMC carriers

OVERVIEW

MAIN CATALOG

- Cabinets 1
- Wall mounted cases 2
- Accessories for cabinets and wall mounted cases . . . 3
- Climate control . . . 4
- Electronics cases 5
- Subracks/ 19" chassis 6
- Front panels, plug-in units 7
- Systems 8
- Power supply units 9
- Backplanes 10
- Connectors, front panel component system 11
- Appendix 12



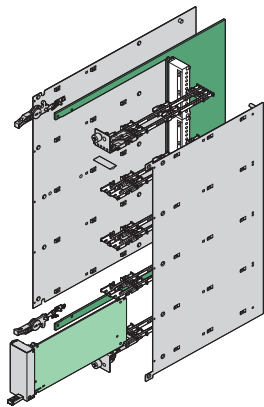
12806028

ADVANCEDMC CARRIERS

AdvancedMC carriers are plug-in units that are slotted into an AdvancedTCA system. They contain the carrier board that accepts AdvancedMC modules.

Electrical connection to the AdvancedTCA backplane is via connectors. With the fully-assembled AdvancedMC carrier in place, cost-effective additional functions may be integrated into the system.

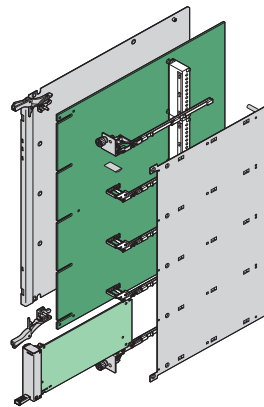
The standard, in accordance with PICMG specification AMC.0 R2.0, defines three different mechanical versions:



12805082

Cutaway carrier

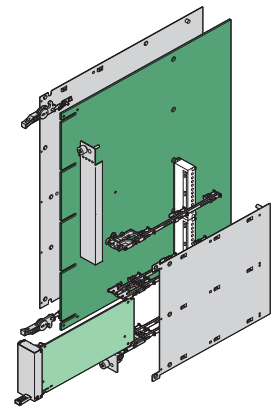
- Carrier board is cut out in the area of the AdvancedMC modules
- Max. placement: 8 single compact or 4 single full-size AdvancedMC modules
- Combinations of full-size and compact modules are possible



12805083

Conventional carrier

- Carrier board runs continuously from front to rear
- Max. placement: 4 single compact or 4 single mid-size AdvancedMC modules



12805081

Hybrid carrier

- Carrier board is a combination of conventional and cutaway carrier
- The maximum placement depends on the carrier board design
- Combinations of all AdvancedMC modules are possible

Systems – AdvancedMC carriers

OVERVIEW

Overview 8.26

ADVANCEDMC CARRIERS FOR ADVANCEDTCA SYSTEMS

- **Cutaway, conventional and hybrid carrier mechanics for**
 - compact AdvancedMC carrier boards
 - Mid-size AdvancedMC carrier boards
 - Full-size AdvancedMC carrier boards
- **Standard versions from stock**
- **Individual carrier/module combination of your choice**



ADVANCEDMC CARRIERS

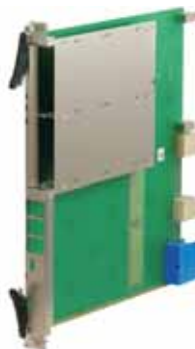
- 1 slot chassis, 8 U, 6 HP for AdvancedTCA systems
- Inserter/extractor handle for microswitch activation
- Versions
 - **Cutaway carrier** for compact and full-size modules
 - **Conventional carrier** for mid-size and compact modules

12807020



INDIVIDUAL SOLUTIONS ON REQUEST

- AdvancedMC hybrid carrier
- AdvancedMC hybrid mechanics for rugged AdvancedMC modules (MicroTCA.1)



12812005 12806016

SERVICEPLUS

- e.g. individual configuration and fitting of hybrid carriers)
- e.g. modifications (cut-outs, special colours)
- e.g. custom solutions (special sizes)

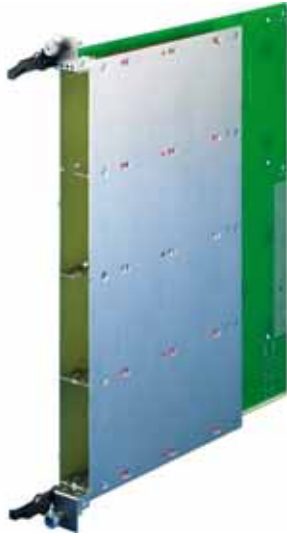
Cutaway carriers
For compact and full-size modules
Complete kits **8.28**
Kit without struts, guide rails **8.29**
Guide rails/struts **8.30**
Microswitches . . . **8.31**
Differences between standard and MF handles for AMC carriers **8.31**

Conventional carriers
For mid-size and compact modules
Complete kits with AdvancedTCA IEA handle **8.32**
Guide rails/struts **8.33**
Microswitches . . . **8.33**

ServicePLUS configuration
Hybrid carrier **8.34**

Systems – AdvancedMC cutaway carrier

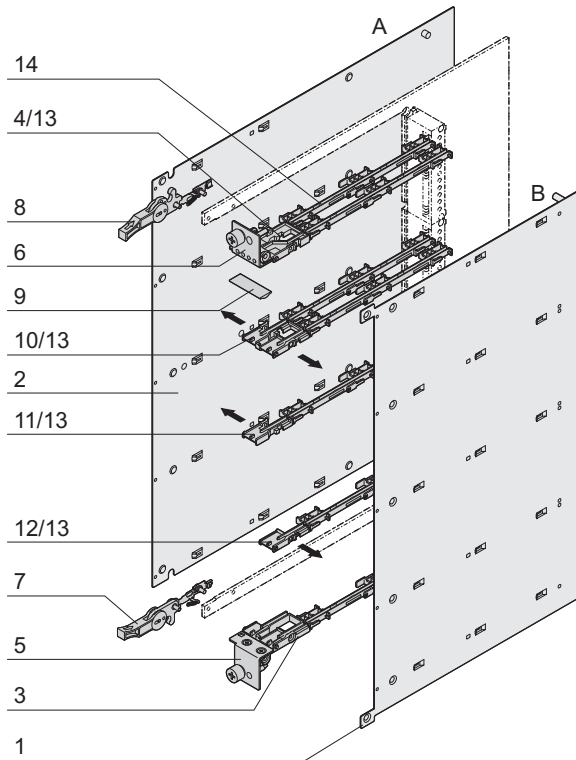
CARRIER MECHANICS FOR COMPACT AND FULL-SIZE ADVANCEDMC MODULES



- Mechanics for cutaway carrier board (carrier **with** 3 different struts, guide rails, ESD clips)
- Stainless steel (EMC shielded)
- Width 1 slot (6 HP), height 8 U, corresponds to PICMG® AMC.0 R2.0
- Inserter/extractor handle, designed for microswitch activation hot-swap)

DELIVERY COMPRISES (Kit)

Item	Qty	Description
1	1	Cover plate B (right), stainless steel, brushed, 0.6 mm, inner surface electrically insulated, exterior with protective film
2	1	Cover plate A (left), stainless steel, brushed, 0.6 mm, inner surface electrically insulated, exterior with protective film
3	1	Lower splitting extrusion (strut), Zn die-cast, nickel-plated
4	1	Upper splitting extrusion (strut), Zn die-cast, nickel-plated
5	1	Lower front panel, stainless steel, brushed, 1 mm, alignment pin and retention screws pressed in
6	1	Upper front panel, stainless steel, brushed, 1 mm, alignment pin and retention screws pressed in, with holes for LEDs
7	1	Standard inserter/extractor handle, with microswitch operation, plastic lever, black
8	1	Standard inserter/extractor handle, plastic lever, black
9	1	EMC profile seal, core: foam, sleeve: textile cladding with CuNi coating
10	3	Support member between cover A and B
11	3	Support member for cover A (on the left)
12	3	Support member for cover B (on the right)
13	8	ESD clip
14	10	AdvancedMC guide rail, PBT, UL 94 V-0, red
15	1	Assembly kit



12805002

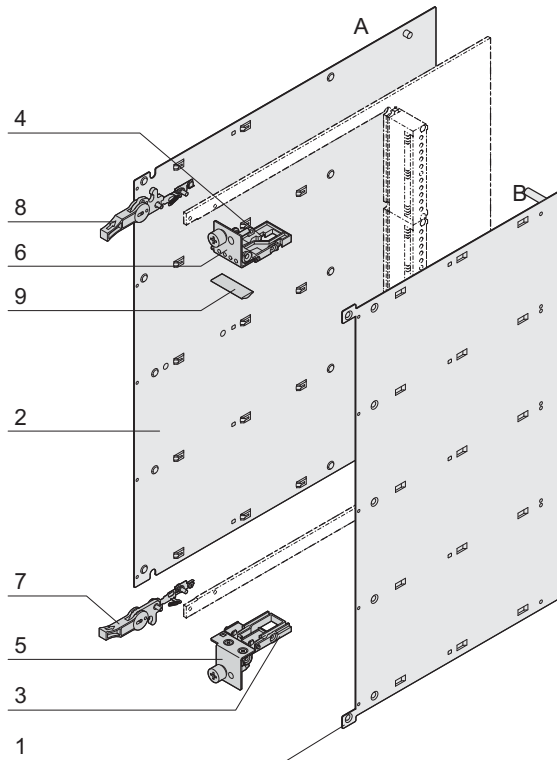
12807086

ORDER INFORMATION

Description	Part no.
Carrier mechanics for AdvancedMC compact and full-size modules with struts, ESD clips and guide rails	10849-001
Accessories	
Microswitch, normally closed , for AdvancedMC carrier (compact and full-size modules) for soldering (SMD), PU 10 pieces	20849-236
Microswitch, normally open , for AdvancedMC carrier (compact and full-size modules) for soldering (SMD), PU 10 pieces	20849-235
Description inserter/extractor handle	Page 8.31
Microswitch description	Page 8.31
AdvancedMC module mechanics	Page 8.56

Systems – AdvancedMC cutaway carrier

CARRIER MECHANICS FOR COMPACT AND FULL-SIZE ADVANCEDMC MODULES



- Mechanics for cutaway carrier board (carrier **without** struts, guide rails, ESD clips, for individual placement)
- Stainless steel (EMC shielded)
- Width 1 slot (6 HP), height 8 U, corresponds to PICMG® AMC.0 R2.0
- Inserter/extractor handle, designed for microswitch activation (hot-swap)

DELIVERY COMPRISES (Kit)

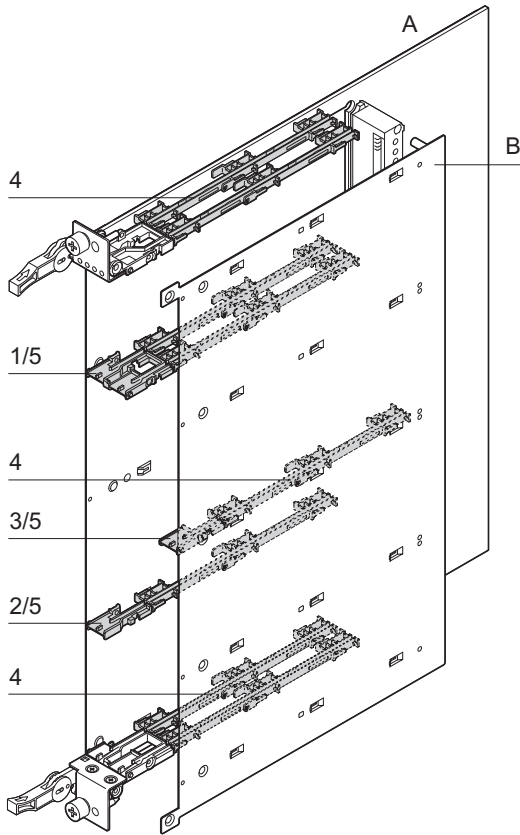
Item	Qty	Description
1	1	Cover plate B (right), stainless steel, brushed, 0.6 mm, inner surface electrically insulated, exterior with protective film
2	1	Cover plate A (left), stainless steel, brushed, 0.6 mm, inner surface electrically insulated, exterior with protective film
3	1	Lower splitting extrusion (strut), Zn die-cast, nickel-plated
4	1	Upper splitting extrusion (strut), Zn die-cast, nickel-plated
5	1	Lower front panel, stainless steel, brushed, 1 mm, alignment pin and retention screws pressed in
6	1	Upper front panel, stainless steel, brushed, 1 mm, alignment pin and retention screws pressed in, with holes for LEDs
7	1	Standard inserter/extractor handle, with microswitch operation, plastic lever, black
8	1	Standard inserter/extractor handle, plastic lever, black
9	1	EMC profile seal, core: foam, sleeve: textile cladding with CuNi coating
10	1	Assembly kit

ORDER INFORMATION

Description	Part no.
Carrier mechanics for AdvancedMC compact and full-size modules without struts, ESD clips and guide rails	10849-002
Accessories	
Microswitch, normally closed , for AdvancedMC carrier (compact and full-size modules) for soldering (SMD), PU 10 pieces	20849-236
Microswitch, normally open , for AdvancedMC carrier (compact and full-size modules) for soldering (SMD), PU 10 pieces	20849-235
Further struts, ESD clips and guide rails	Page 8.30
Description inserter/extractor handle	Page 8.31
Microswitch description	Page 8.31
AdvancedMC module mechanics	Page 8.56

Systems – AdvancedMC cutaway carrier

BOARD GUIDES/STRUTS FOR ADVANCEDMC COMPACT AND FULL-SIZE MODULES



- Struts and guide rails are always required to guide boards
- 3 different struts
 - The strut is assembled between the cover plates A and B
 - The strut is assembled on the left of cover plate A
 - The strut is assembled on the right of cover plate B
- The ESD clip pushes into the strut (one per board guide)
- The guide rails clip into the cover plate

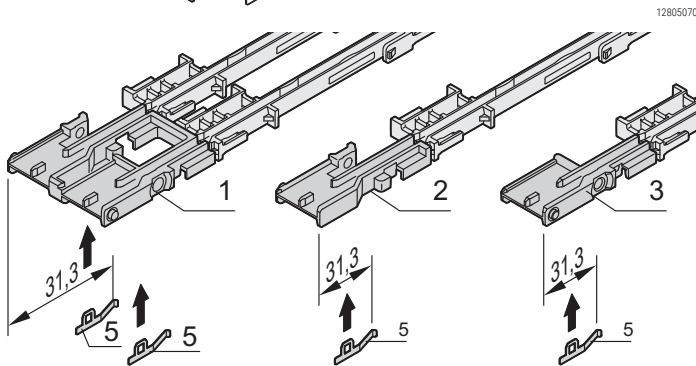
ORDER INFORMATION

Item	Description	Qty/PU	Part no.
1	Strut between cover A (left) and B (right), Zn die-cast, nickel-plated	10	20849-009
2	Splitting extrusion (strut) for cover A (left), Zn die-cast, nickel-plated	10	20849-010
3	Splitting extrusion (strut) for cover B (on the right), Zn die-cast, nickel-plated	10	20849-011
4	AdvancedMC guide rail, PBT, UL 94 V-0, red	10	20849-008
5	ESD clip, stainless spring steel, for deflection of electrostatic charges	50	20849-021

Accessories

Microswitch, **normally closed**, for AdvancedMC carrier (compact and full-size modules)
for soldering (SMD), PU 10 pieces, page 8.31 **20849-236**

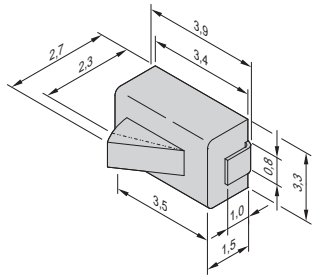
Microswitch, **normally open**, for AdvancedMC carrier (compact and full-size modules)
for soldering (SMD), PU 10 pieces - page 8.31 **20849-235**



12805071

Systems – AdvancedMC cutaway carrier

MICROSWITCH FOR CARRIER (COMPACT AND FULL-SIZE ADVANCEDMC MODULES)



- Microswitch for soldering (SMD)

ORDER INFORMATION

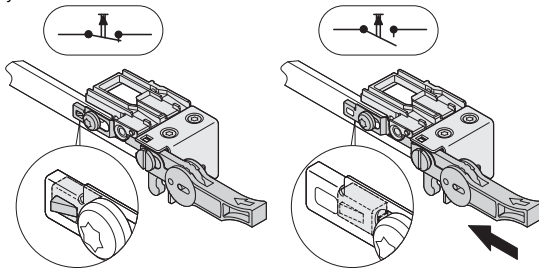
Description	Qty/PU	Part no.
Microswitch, normally closed , for AdvancedMC carrier (compact and full-size modules)	10	20849-236
Microswitch, normally open , for AdvancedMC carrier (compact and full-size modules)	10	20849-235

12807066

Technical data

Max. switch current	1 mA, 5 V _{DC}
Operating temperature	-15 °C ... +70 °C
Electrical lifespan	10 ⁵ switching cycles

"Normally closed"

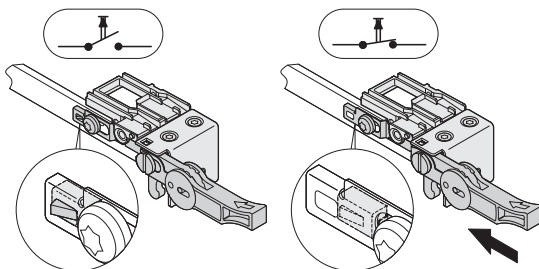


Handle in inoperative position

Handle activated

12807081

Closer



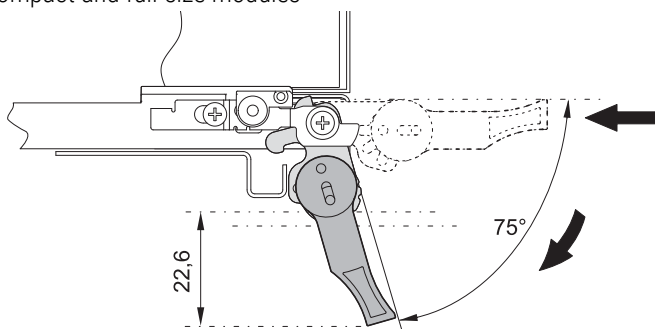
Handle in inoperative position

Handle activated

12807082

DIFFERENCES BETWEEN STANDARD AND MF HANDLE FOR ADVANCEDMC CARRIER (COMPACT AND FULL-SIZE MODULES)

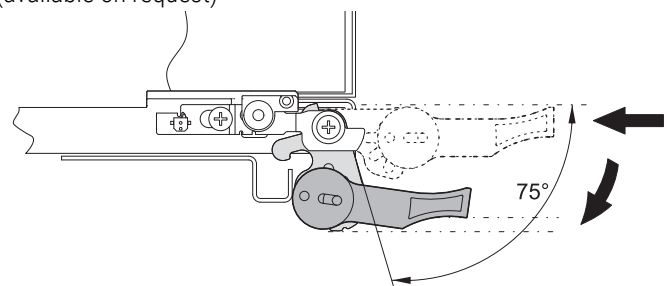
Standard front handle - is included in delivery of carriers for compact and full-size modules



12806063

- Extractor handle 75° opening angle
- Insertion/extraction in one step
- Swing range: 23 mm below and above the pitch line
- Included in delivery of carrier

MF handle - can be exchanged by standard handle if needed (available on request)



12805072

- Extractor handle 75° opening angle
- Insertion/extraction in three steps (2 operations)
- Small swing range (0 mm) below and above the pitch line. The lower respectively upper limit of the carrier is not exceeded during extraction.

Systems – AdvancedMC conventional carri-

CARRIER MECHANISM FOR MID-SIZE ADVANCEDMC MODULES WITH ADVANCEDTCA IEA HANDLE, COMPLETE KIT

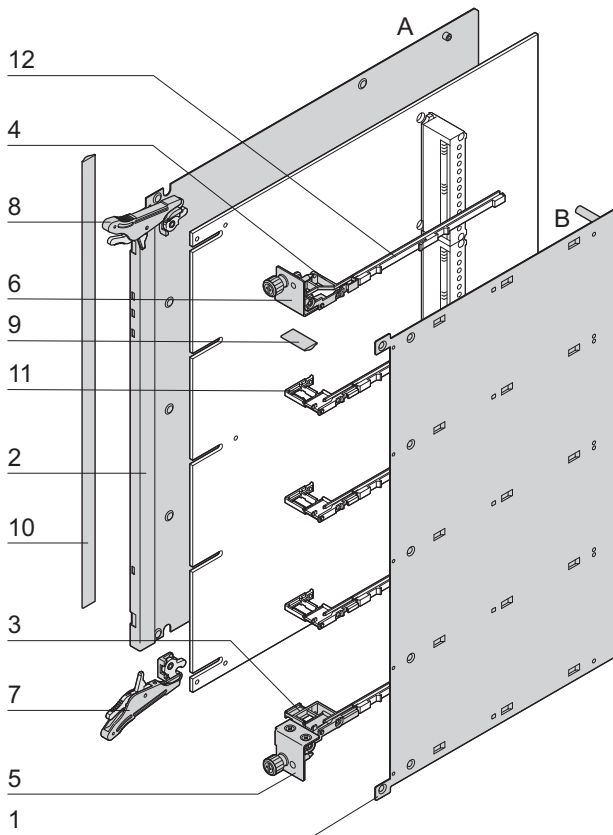


12808001 12808002

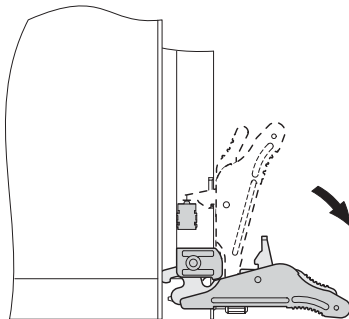
- Mechanics for conventional carrier, stainless steel (EMC shielded)
- Width 1 slot (6 HP), height 8 U, corresponds to PICMG® AMC.0 R2.0
- AdvancedTCA **IEA** inserter/extractor handle, designed for microswitch activation (hot-swap)
- Carrier mechanics with struts and guide rails for four modules

DELIVERY COMPRISES (Kit)

Item	Qty	Description
1	1	Cover plate B (right), stainless steel, brushed, 0.6 mm, inner surface electrically insulated, exterior with protective film
2	1	Cover plate A (left), stainless steel, brushed, 0.6 mm, inner surface electrically insulated, exterior with protective film
3	1	Lower splitting extrusion (strut), Zn die-cast, nickel-plated
4	1	Upper splitting extrusion (strut), Zn die-cast, nickel-plated
5	1	Lower front panel, stainless steel, brushed, 1 mm, alignment pin and retention screws pressed in
6	1	Upper front panel, stainless steel, brushed, 1 mm, alignment pin and retention screws pressed in
7	1	Lower AdvancedTCA IEA inserter/extractor handle, with microswitch activation, plastic lever, black
8	1	AdvancedTCA IEA inserter/extractor handle, top, with microswitch activation, lever plastic, black
9	1	EMC profile seal, core: foam, sleeve: textile cladding with CuNi coating
10	1	EMC profile seal, core: foam, sleeve: textile cladding with CuNi coating
11	3	Splitting extrusion between covers A and B (4 ESD clips)
12	5	AdvancedMC guide rail, PBT, UL 94 V-0, green
13	1	Fixing material kit



12808050



12808051

ORDER INFORMATION

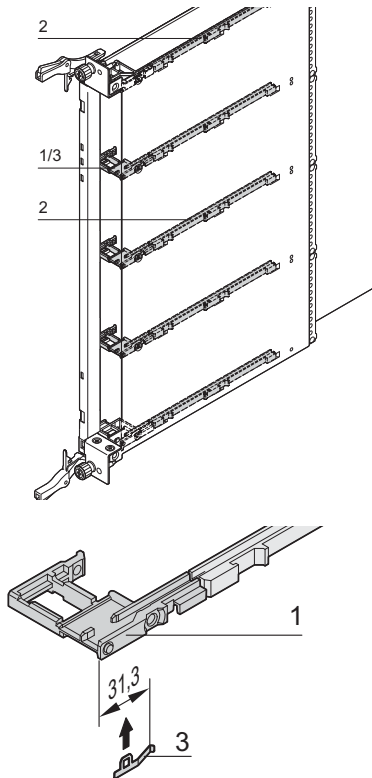
Description	Part no.
AdvancedMC carrier mechanism for mid-size AdvancedMC modules with AdvancedTCA IEA handle with struts, ESD clips and guide rails	10849-011
Accessories	
Microswitch for carriers (mid-size AdvancedMC modules) normally closed, for soldering (SMD), PU 10 pieces	20817-853
Microswitch for carriers (mid-size AdvancedMC modules) normally open, for soldering (SMD), PU 10 pieces	20817-909
AdvancedMC module mechanics	Page 8.56

NOTE

- Carrier with stronger cover plate A (1 mm) on request
- Carrier for compact AdvancedMC modules on request
- Southco type handle kit on request

Systems – AdvancedMC conventional

BOARD GUIDES/STRUTS FOR ADVANCEDMC MID-SIZE MODULES



12806061

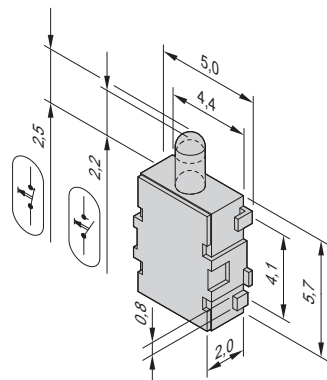
12806062

- Struts and guide rails are always required to guide boards
- Strut is assembled between cover plates A and B
- The ESD clip pushes into the strut (one per board guide)
- The guide rails clip into the cover plate

ORDER INFORMATION

Item	Description	Qty/PU	Part no.
1	Strut between cover A (left) and B (right), Zn die-cast, nickel-plated	10	20849-242
2	AdvancedMC guide rail for mid-size carrier, PBT, UL 94 V-0, green	10	20849-166
3	ESD clip, stainless spring steel, for deflection of electrostatic charges	50	20849-021

MICROSWITCH FOR CARRIERS (MID-SIZE ADVANCEDMC MODULES)



12807071

- Microswitch for soldering (SMD)
- Can be used for all conventional carrier handles

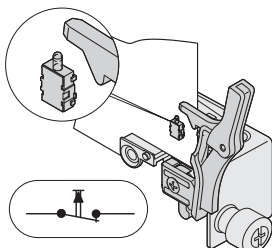
ORDER INFORMATION

Description	Qty/PU	Part no.
Microswitch (normally closed) for carrier (mid-size AdvancedMC modules)	10	20817-853
Microswitch (normally open) for carrier (mid-size AdvancedMC modules)	10	20817-909

Technical data

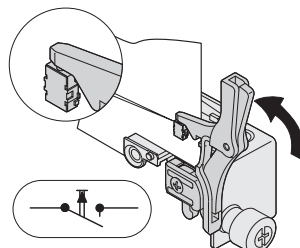
Max. switch current	100 mA, 12 V _{DC}
Operating temperature	-20 °C ... +60 °C
Electrical lifespan	5 x 10 ⁵ switching cycles

Opener



12807079

Closer



12807087

Systems – AdvancedMC carrier Ser-

SERVICEPLUS: SOLUTION



ADVANCEDMC CARRIER MECHANICS

- The carrier board is a combination of conventional and cutaway carriers
- Max. placement depends on the design of the carrier board
- Custom versions on request
 - Single/double combinations
 - Handles
 - AdvancedTCA IEA
 - AdvancedTCA Southco

12812004

Systems – ServicePLUS

APPLICATION EXAMPLES



- Hybrid system, modification of a MicroTCA single-module board cage ¹²⁹⁰⁸⁰⁰⁷ into a 3 U chassis to DIN EN 60297



- MicroTCA system, 1 U for 6 single mid-size AMC modules; power supply, ¹²⁹⁰⁸⁰⁰⁵ increased air inlet and exhaust area with inwardly curved side panels



- MicroTCA chassis with hot-swap fan unit and power supply ¹²⁹⁰⁹⁰⁰¹



- CompactPCI chassis with hot-swap fan unit and custom finishing ¹²³⁰⁹⁰⁰²



- CompactPCI chassis with 48 V_{DC} power supply ¹²³⁰⁹⁰⁰¹



- 2 slot, 2 U AdvancedTCA chassis with custom colour ¹²⁷⁰⁹⁰⁰³

North America

Warwick, RI, USA

Tel +1.800.525.4682

San Diego, CA, USA

Tel +1.800.854.7086

Europe, Middle East & India

Straubenhardt, Germany

Tel +49 7082 794 0

Betschdorf, France

Tel +33 3 88 90 64 90

Warsaw, Poland

Tel +48 22 209 98 35

Hemel Hempstead,

Great Britain

Tel +44 1442 24 04 71

Lainate, Italy

Tel +39 02 932 714 1

Dubai, United Arab Emirates

Tel +971 4 37 81 700

Bangalore, India

Tel +91 80 67152000

Istanbul, Turkey

Tel +90 216 250 7374

Asia Pacific

Shanghai, China

Tel +86 21 2412 6943

Singapore

Tel +65 6768 5800

Shin-Yokohama, Japan

Tel +81 45 476 0271

Our powerful portfolio of brands:

CADDY ERICO HOFFMAN RAYCHEM SCHROFF TRACER



[nVent.com/SCHROFF](https://www.nVent.com/SCHROFF)