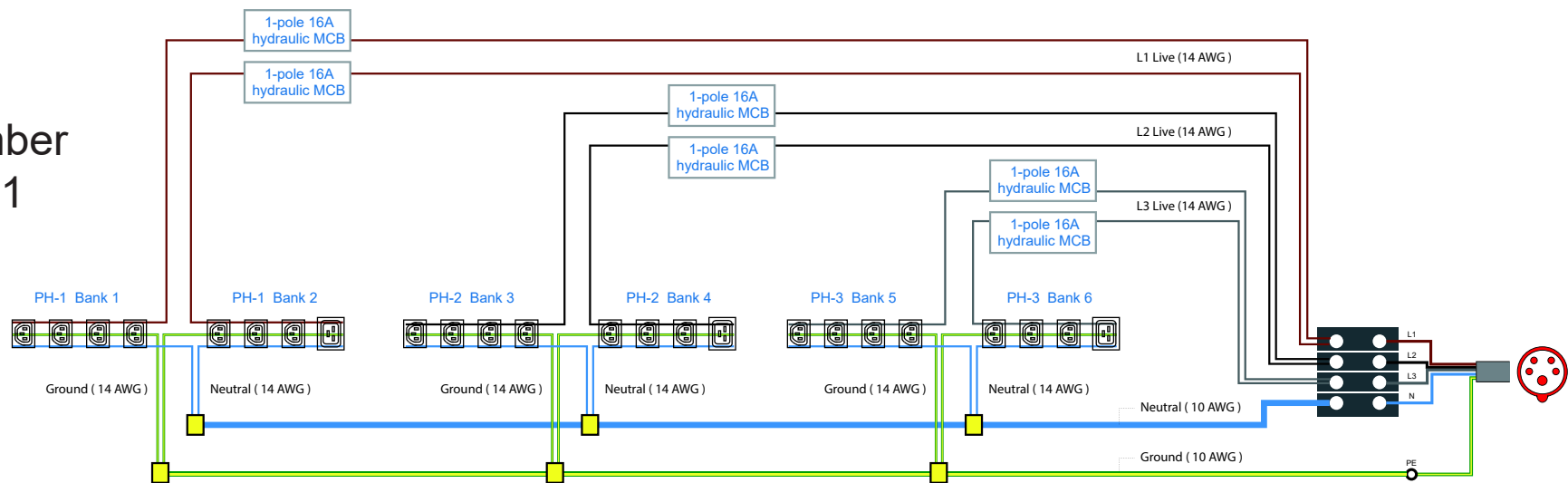


Bottom feed  
IEC 60309 32A  
3P+N+E 6hr  
Red PLUG

Item Number  
60110-471



### Three phase monitored PDU

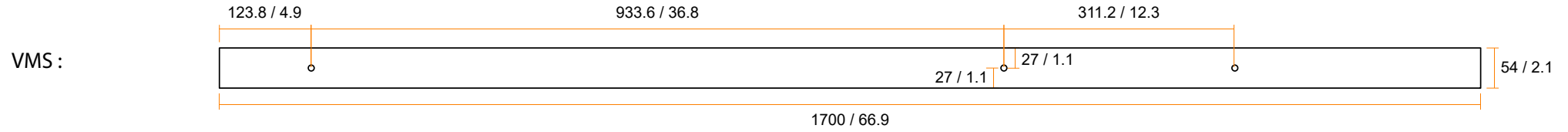
- Input Rating : 32A, 400V 3PH
- Outlet : 10A Rated C13 x 21  
16A Rated C19 x 3
- Inlet : 32A IEC60309 3P+N+E 6hr Red plug
- Cordset : 5-wire 2 meter 4.0mm sq H05VV-F cordset
- Protection : 16A single pole hydraulic MCB x 6
- Bank Details :
  - PH-1 < Bank 1 > Output 16A max. C 13 #1-4
  - < Bank 2 > Output 16A max. C 13 #5-7 + C 19 #C 1
  - PH-2 < Bank 3 > Output 16A max. C 13 #1-4
  - < Bank 4 > Output 16A max. C 13 #5-7 + C 19 #C 1
  - PH-3 < Bank 5 > Output 16A max. C 13 #1-4
  - < Bank 6 > Output 16A max. C 13 #5-7 + C 19 #C 1

### Meter Features ( WS monitored PDU )

- Local Display : Field replaceable 2.8" color LCD with touchscreen
- Bank Measurement : Current ( A ), Energy ( kWh ), Voltage ( V ) & Power factor
- Accuracy : ±1% Billing-grade
- IP Access : via IP dongle, one IP Access up to 16 PDU Levels
- Cascade : Up to 16 PDU under single IP address via IP dongle
- SNMP : V2 / V3 via IP dongle
- Sensor Port x 2 : Temp. Sensor / Temp. + Humid. Sensor

EMC Compliance	: CE / EMC certified
Safety Compliance	: CE / LVD certified
Environment Compliance	: RoHS2 & REACH
Operating Temperature	: -5 to 60 °C
Storage Temperature	: -25 to 65 °C
Operating Altitude	: 0 to 2,000 m
Storage Altitude	: 0 to 15,000 m
Humidity	: 8 to 95% RH, non-condensing
Chassis Material	: Steel
Chassis Color	: Black
Product Dimension	: 54 (W) x 80 (D) x 1700 (H) mm
Net Weight	: 8 kg
Packing Dimension ( for 2 PDUs )	: 110 (W) x 268 (D) x 2043 (H) mm
PDU Gross Weight ( for 2 PDUs )	: 18 kg

### Mounting Method



Top feed

Bottom feed

