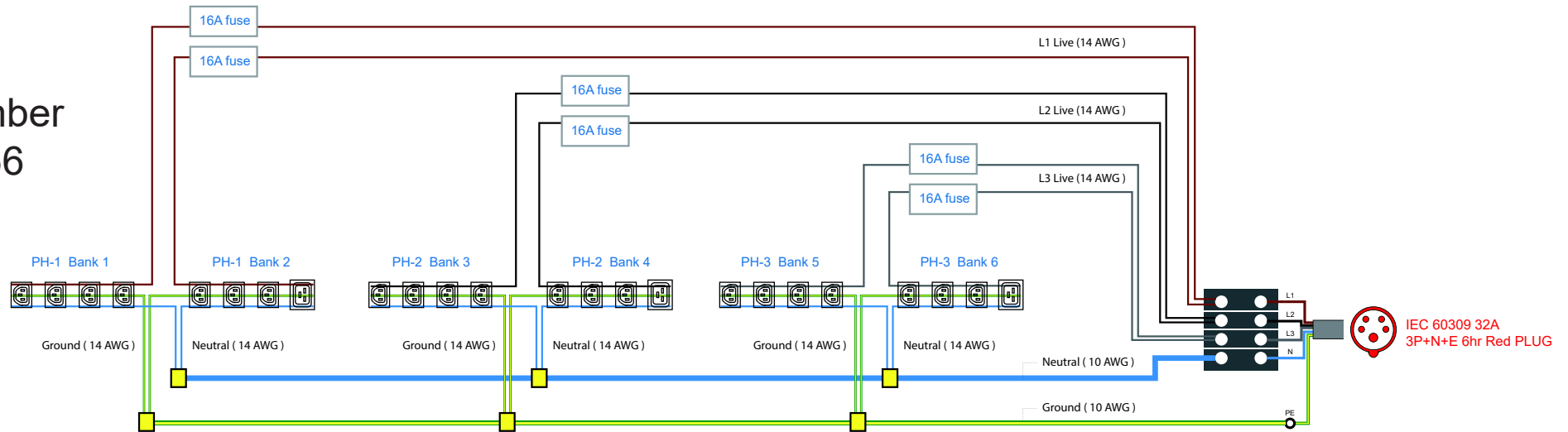


Bottom feed
IEC 60309 32A
3P+N+E 6hr
Red PLUG

Item Number
60110-466



IEC 60309 32A
3P+N+E 6hr
Red PLUG

Three phase switched PDU

Input Rating : 32A, 400V 3PH
Outlet : 10A Rated C13 x 21
16A Rated C19 x 3
Inlet : 32A IEC60309 3P+N+E 6hr Red plug
Cordset : 5-wire 3 meter 4.0mm sq H07RN-F cordset
Protection : 16A resettable fuse x 6
Bank Details : **PH-1 < Bank 1 >** Output 16A max. C 13 # 1-4
< Bank 2 > Output 16A max. C 13 # 5-7 + C 19 # C 1
PH-2 < Bank 3 > Output 16A max. C 13 # 1-4
< Bank 4 > Output 16A max. C 13 # 5-7 + C 19 # C 1
PH-3 < Bank 5 > Output 16A max. C 13 # 1-4
< Bank 6 > Output 16A max. C 13 # 5-7 + C 19 # C 1

Meter Features (WS Switched PDU)

Local Display : Field replaceable 2.8" color LCD with touchscreen
Bank Measurement : Voltage (V), Current (A), energy (kWh) & power factor
Outlet Control : Outlet Switch ON / OFF
Accuracy : ±1% Billing-grade
IP Access : via IP dongle, one IP Access up to 16 PDU Levels
Cascade : Up to 16 PDU under single IP address via IP dongle
SNMP : V2 / V3 via IP dongle
Sensor Port x 2 : Temp. Sensor / Temp. + Humid. Sensor

EMC Compliance	:	CE / EMC certified
Safety Compliance	:	CE / LVD certified
Environment Compliance	:	RoHS2 & REACH
Operating Temperature	:	-5 to 60 °C
Storage Temperature	:	-25 to 65 °C
Operating Altitude	:	0 to 2,000 m
Storage Altitude	:	0 to 15,000 m
Humidity	:	8 to 95% RH, non-condensing

Chassis Material : Steel
Chassis Color : Black

Product Dimension : 54 (W) x 80 (D) x 1700 (H) mm
Net Weight : 8 kg

Packing Dimension (for 2 PDUs) : 110 (W) x 268 (D) x 2043 (H) mm
PDU Gross Weight (for 2 PDUs) : 18 kg