

Series 703 Inserter / Extractor

CONNECT AND PROTECT

MATERIALS AND FINISH

- **Material :**
6061-T6 Aluminum alloy per ASTM B221 OR AMS-QQ-A-200/8
- **Finish :**
Customer specified

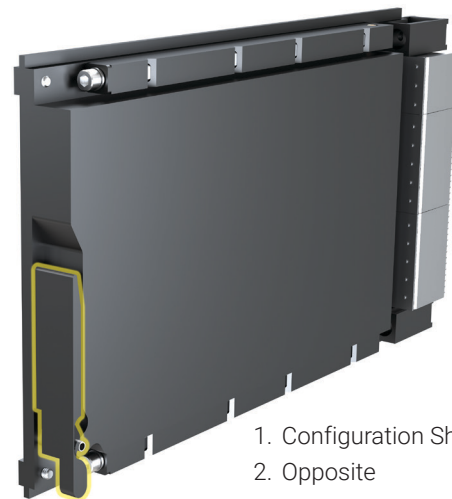
WEIGHT

- **Aluminum :**
.12 oz (3.41 g)

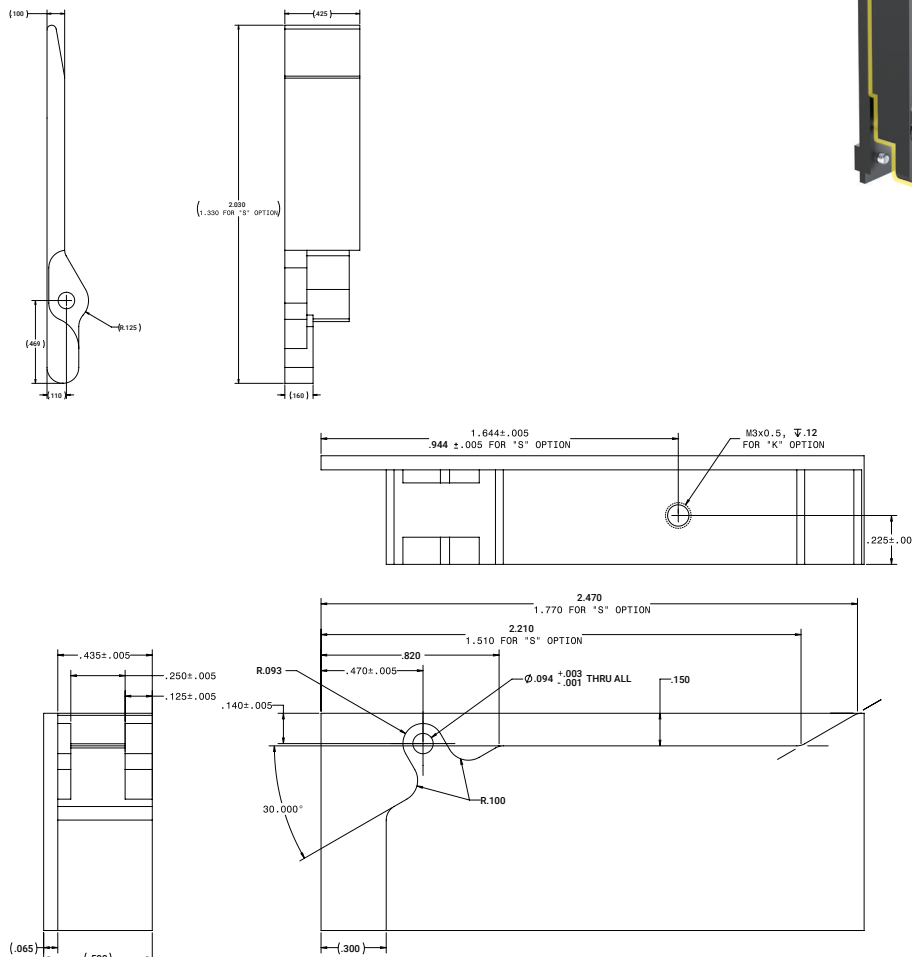
APPLICATION DATA

For use in the insertion and extraction of conduction-cooled assembly modules compatible with IEEE 1101.2, VITA 30.1, VITA 46.0 and VITA 48.2. Capable of backplane insertion of 32 lbs (15 kg) for long handle or 39 lbs (18 kg) for short handle per extractor.

Note: Recommended max finger force for ergonomics per MIL-STD-1472 is 5 lbs of finger force.

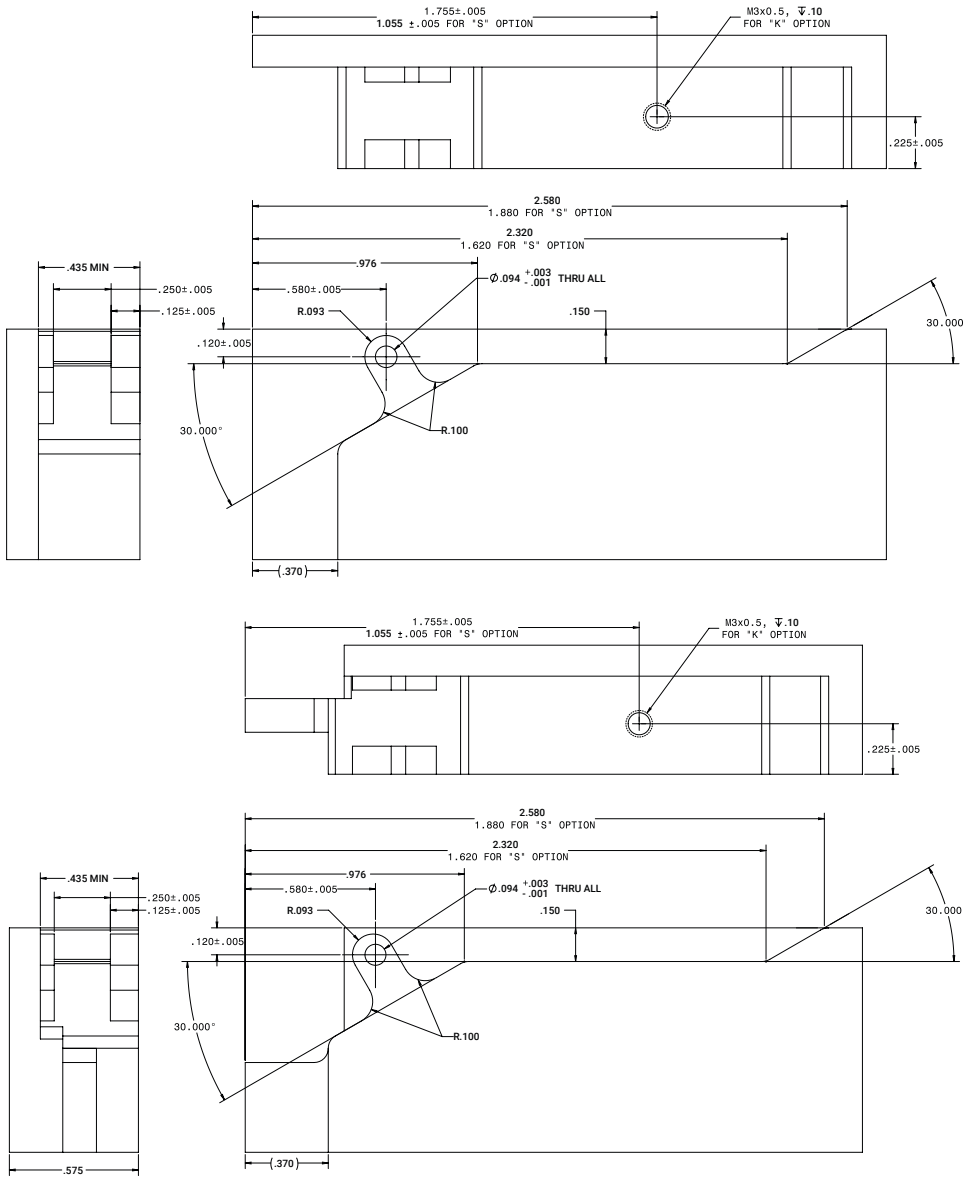


1. Configuration Shown
2. Opposite



Recommended torque for captive screw is 5 in-lb (56 N-cm)

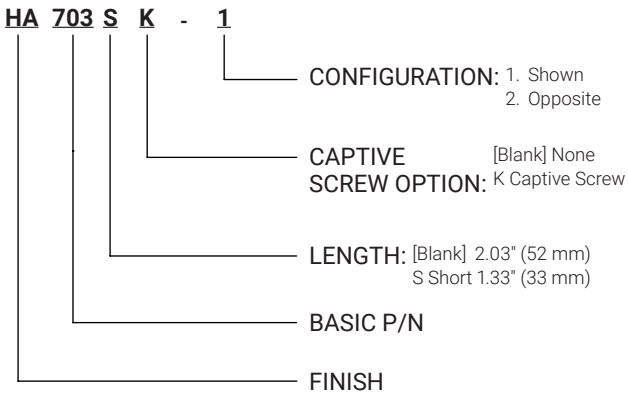
For IEEE 1101.2, VITA 30.1 and VITA 46.0
1. Shown 2. Opposite



For VITA 48.2 Primary Side Configuration
1. Shown 2. Opposite

For VITA 48.2 Secondary Side Configuration
1. Shown 2. Opposite

PART NUMBER CODE



FINISH TABLE

CODE	SURFACE FINISH
LETTER	SURFACE FINISH
[blank]	CHEMICAL FILM PER MIL-DTL-5541, TYPE I, CLASS 1A, GOLD, NON ROHS COMPLIANT
CC	CHEMICAL FILM PER MIL-DTL-5541, TYPE II, CLASS 1A, CLEAR
EN	ELECTROLESS NICKEL PER MIL-C-26074, CLASS 4, GRADE B, BRIGHT
A	BLACK ANODIZE PER MIL-A-8625, TYPE II, CLASS 2
HA	HARD BLACK ANODIZE PER MIL-A-8625, TYPE III, CLASS 2



Our powerful portfolio of brands:

CADDY ERICO HOFFMAN RAYCHEM SCHROFF TRACER