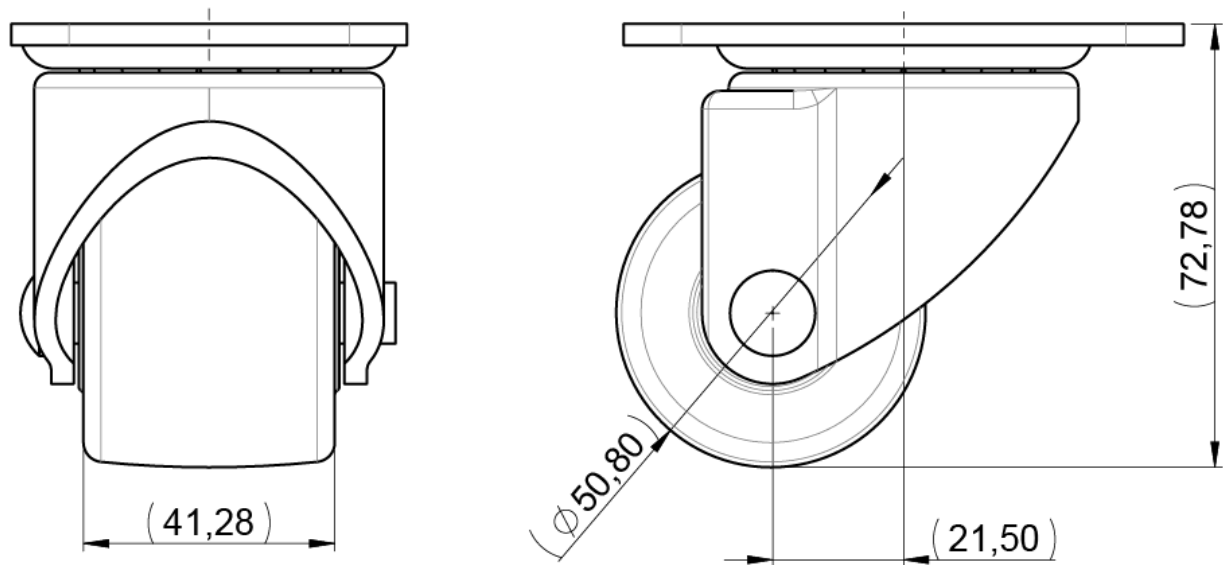


VARISTAR CP MOBILE FRAME WITH INTEGRATED CASTORS

CASTORS DETAILS



PRODUCT ATTRIBUTES

- Product Type: Castor with double ball bearing swivel head
- Product Family: Varistar CP
- Dynamic Load: 1,000 kg (380kg each castor)
- Diameter: 50.8 mm
- Material castors: Polyamid (black)

CASTOR / ADJUSTABLE FEET COMBINATION

In addition to the castors, the frame is equipped with adjustable feet that can be drilled out when on site.