



CONNECT AND PROTECT

Lan-wall-mounted Distributors


nvent

SCHROFF

Wall mounted cases – LAN wall mounted

OVERVIEW

MAIN KATALOG

- Cabinets 1
- Wall mounted cases 2
- Accessories for cabinets and wall mounted cases . . . 3
- Climate control . . . 4
- Electronics cases 5
- Subracks/ 19" chassis 6
- Front panels, plug-in units 7
- Systems 8
- Power supply units 9
- Backplanes 10
- Connectors, front panel component system 11
- Appendix 12



41801004



41804001

Door and side panels easily removable



41801005

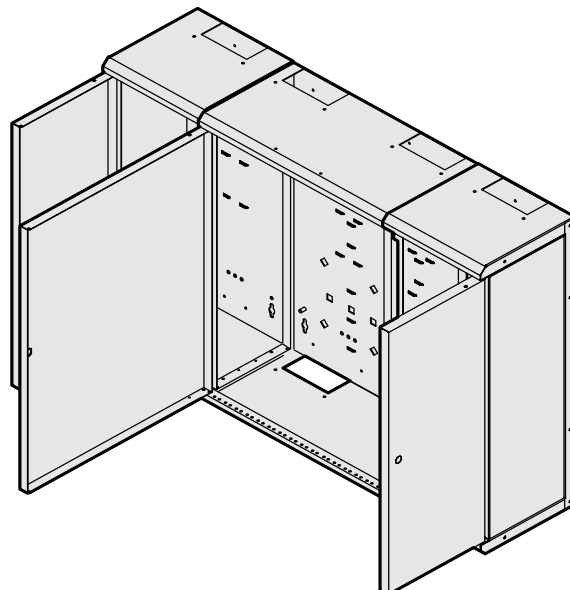
Vertical 19" plane, therefore low case depth



41801006

Storage of excess cable length

MODULARITY DUE TO BASIC CASE AND SIDE-BY-SIDE MODULES



VTLM6672

Wall mounted cases – LAN wall mounted

OVERVIEW

SLIM WALL MOUNTED CASES

- Ideal as fibre optic cable distributor, 4 U wall distributor or as combination of fibre optic cable, copper and telephone distributor
- Optimal ducting of fibre optic cables
- Door and side panels easily removable
- Upgradeable with side-by-side modules



41801006

FIBRE OPTIC SMALL CASE

- Prepared to accommodate up to four splicing cassettes
- Low cabinet depth of 85 mm



41801017

WALL DISTRIBUTOR, MODULAR

- Modularity due to basic case and side-by-side modules
- Combination of fibre optic cable, copper or telecommunication applications possible
- Low installation depth of 220 mm due to vertical 19" plane



41802002

WALL DISTRIBUTOR, 4 U, VERTICAL

- Low installation depth of 220 mm due to vertical 19" plane
- Corner door with lateral acrylic glass
- Fan retrofittable

SERVICEPLUS

- e.g. special colours, special sizes
- e.g. air conditioning
- e.g. fittings, conversions, cut-outs
- e.g. custom solutions

Overview 2.36

Small case
 Small case 2.38
 Cable ducting for fibre cable 2.38
 Insertion plate for splicing cassettes 2.39
 Splicing cassette 2.39

Modular wall mounted distributor
 Basic case 2.40
 Side-by-side module 2.41
 Basic cable ducting 2.41
 Splicing cassette holder 2.42
 Splicing cassette 2.42
 LSA+ bracket 2.43
 Locking insert 2.43
 19" bracket 2.43

Wall mounted 4 U distributor
 Wall mounted 4 U distributor 2.44
 Cable ducting for fibre cable 2.45

Wall mounted cases – LAN wall mounted

FIBRE OPTIC SMALL CASE



- For distribution of fibre optic main cables or as office distributor
- Space for max. 48 fibres

DELIVERY COMPRISES (assembled)

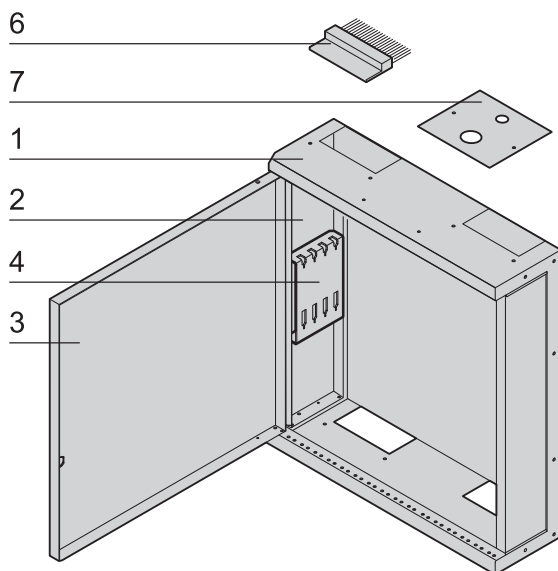
Item	Qty	Description
1	1	Case, St, 1.5 mm, RAL 7035, 2 cable ducting openings each top and bottom (without cover)
2	2	Side panel, St, 1 mm, RAL 7035, hinged
3	1	Door, St, 1 mm, RAL 7035, with locking insert 2233-x
4	1	Quadruple splicing cassette holder
5	1	Assembly kit for wall mounting (distance from wall 6.5 mm)

ORDER INFORMATION

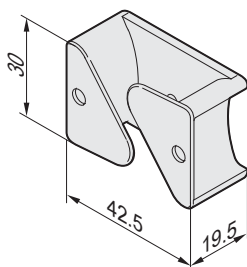
Height mm	Width mm	Depth mm	Part no.
300	300	85	60239-006
Item 6 Brush strip for fibre optic small case, self-adhesive, PU 2 pieces			60239-030
Item 7 Cable ducting plate for fibre optic small case, St, 1 mm, zinc-plated, PU 2 pieces			60239-025

NOTE

- To cover cable through-ducting openings please order either brush strip or cable through-ducting plate separately
- Push-on plate for splicing cassette, see page 2.39
- Splicing cassettes, see page 2.39



CABLE DUCTING FOR FIBRE CABLE



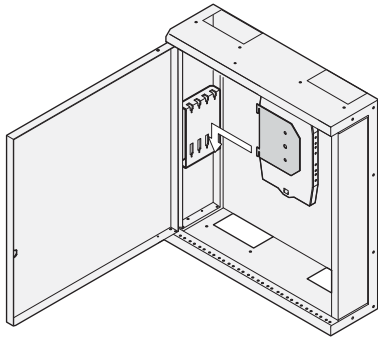
- For cable ducting with necessary bending radius

ORDER INFORMATION

Description	Part no.
Cable ducting for fibre cable, plastic, black, PU 4 pieces	60239-020

Wall mounted cases – LAN wall mounted

INSERTION PLATE FOR SPLICING CASSETTES



- The splicing cassette is assembled on the push-on plate and subsequently inserted in the splicing cassette holder

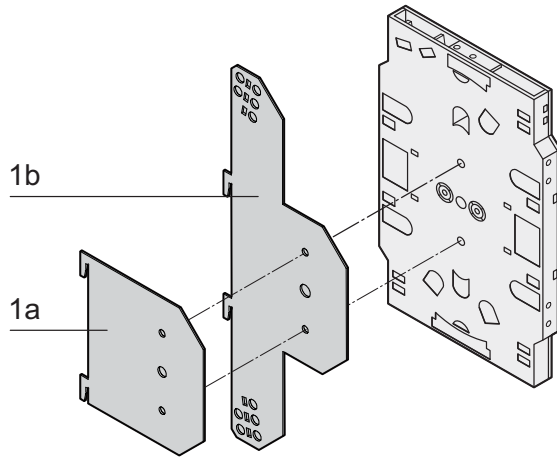
DELIVERY COMPRISES

Item	Qty	Description
1	4	Push-on plate, St, 1 mm, zinc-plated
2	8	Holding clip for splicing cassette

ORDER INFORMATION

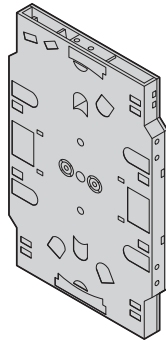
Item	Description	Part no.
Item 1a	Push-on plate without cable ducting	60239-013
Item 1b	Push-on plate with cable ducting for cable ties	60239-014

41806050



VTLW6678

SPLICING CASSETTE



Splicing cassette

- Accepts a maximum of 12 splices to the telecom standard
- Fibre optic cable splicing cassettes to DIN 47662

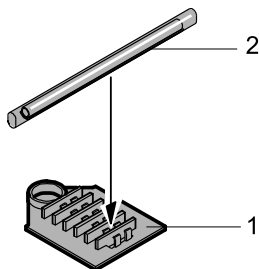
DELIVERY COMPRISES

Item	Qty	Description
1	1	Splicing cassette, plastic, cream white
2	1	Cover, plastic, cream white
3	4	Cable ties

ORDER INFORMATION

Description	Part no.
Splicing cassette	60239-062
Item 1 Splice holder, PU 10 pieces	21101-122
Item 2 Splice protection sleeve, length 60 mm, PU 6 pieces	21101-123

VTLW6679



Splice holder (1), splice protection sleeve (2)

NOTE

- Please order splice holder and splice protection sleeves separately

VTLW6680

Wall mounted cases – LAN wall mounted

WALL DISTRIBUTOR, MODULAR



41801002

The modular case system is used as sub or floor level distributor, for fibre optic applications as well as for distribution of copper or telecommunication applications.

The 220 mm deep basic cases can be extended with side-by-side modules and accessories.

BASIC CASE



41801001

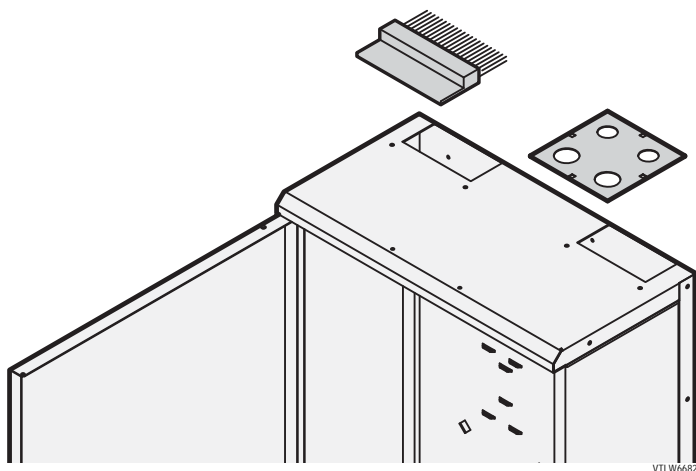
- To accommodate splicing cassette holders, LSA+ holder and/or 19" bracket
- Room for max. 288 fibres and excess cable lengths of up to 1 m

DELIVERY INCLUDES (assembled)

Item	Qty	Description
1	1	Case, St, 1.5 mm, RAL 7035, 2 cable ducting openings each top and bottom (without cover)
2	2	Side panel, St, 1 mm, RAL 7035, hinged
3	1	Door, St, 1 mm, RAL 7035, with locking insert 2233-x
4	1	Assembly kit for wall mounting (distance from wall 6.5 mm)

ORDER INFORMATION

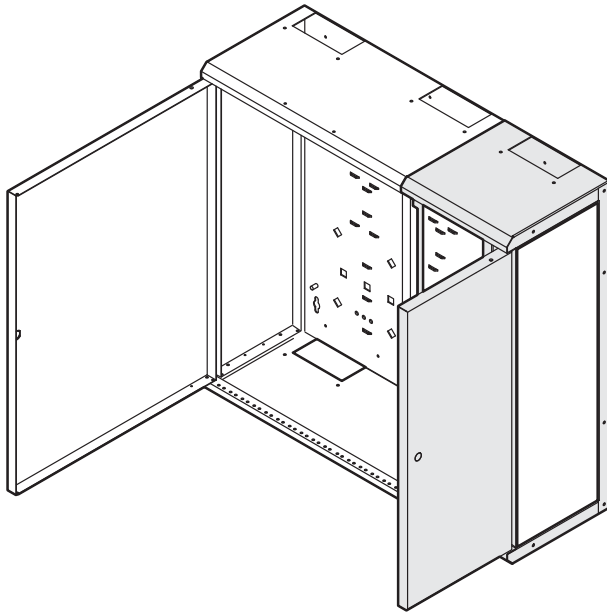
600	425	220	60239-001
GND/earthing kit for wall mounted distributor, sufficient for one basic case and two side-by-side modules			60239-060
Brush strip for wall mounted distributor self-adhesive, PU 2 pieces			60239-031
Cable ducting plate for wall mounted distributor PU 2 pieces			60239-026



VTLW662

Wall mounted cases – LAN wall mounted

SIDE-BY-SIDE MODULE



VTLW6673

- For side-by-side mounting to basic case, selectively on the right or left
- To accommodate splicing cassette holders or LSA+ holder

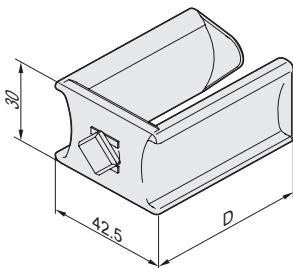
DELIVERY COMPRISES (assembled)

Item	Qty	Description
1	1	Side-by-side module, St, 1.5 mm, RAL 7035, 2 cable ducting openings top and bottom
2	1	Door, St, 1 mm, RAL 7035, with locking insert
3	1	Door post
4	1	Assembly kit

ORDER INFORMATION

Height mm	Width mm	Depth mm	Part no.
600	225	220	60239-004
Brush strip for wall mounted distributor self-adhesive, PU 2 pieces			60239-031
Cable ducting plate for wall mounted distributor PU 2 pieces			60239-026

BASIC CASE CABLE DUCTING



41804050

- For cable ducting with necessary bending radius
- Assembly by inserting into rear panel of case, then given a quarter turn
- Usable in basic case and side-by-side module

ORDER INFORMATION

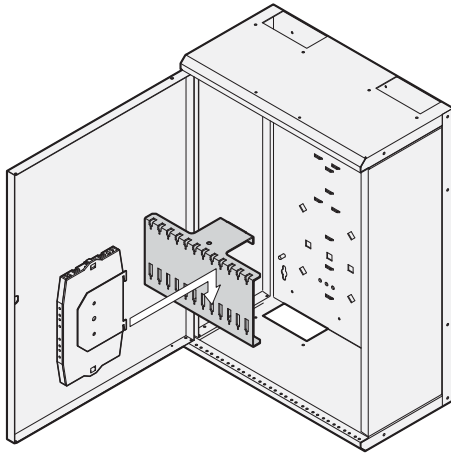
Description	Part no.
Basic cable ducting, plastic, black, depth D = 55 mm, PU 4 pieces	60239-021

NOTE

- Cannot be used in fibre optic small case nor in 4 U wall mounted distributor

Wall mounted cases – LAN wall mounted

SPLICING CASSETTE HOLDER



- To accommodate 12 splicing cassettes that are also mounted on push-on plates
- Splicing cassette holder is mounted and secured on rear wall of case
- Screw-free fitting

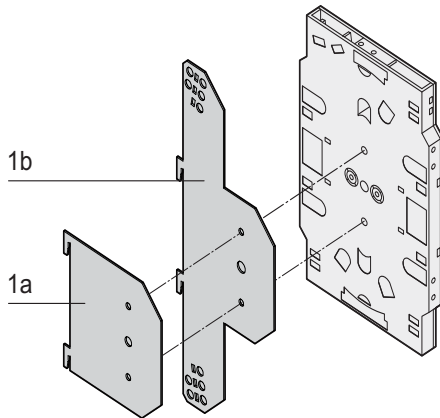
ORDER INFORMATION

Description	Part no.
Splicing cassette holder	60239-012
Item 1a Push-on plate without cable ducting PU 4 pieces	60239-013
Item 1b Push-on plate with cable ducting for cable ties PU 4 pieces	60239-014
Cable tie 92 mm x 2.5 mm, PU 25 pieces	20118-351

VTLW6677

NOTE

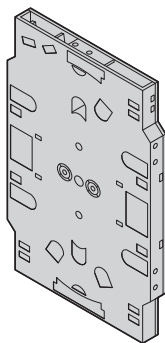
- Please order push-on plates separately



Push-on plates

VTLW6678

SPLICING CASSETTE



Splicing cassette

- Accepts a maximum of 12 splices to the telecom standard
- Fibre optic cable splicing cassettes to DIN 47662

DELIVERY COMPRISES

Item	Qty	Description
1	1	Splicing cassette, plastic, cream white
2	1	Cover, plastic, cream white
3	4	Cable ties

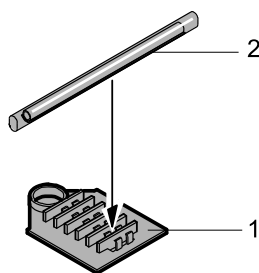
ORDER INFORMATION

Description	Part no.
Splicing cassette	60239-062
Item 1 Splice holder, PU 10 pieces	21101-122
Item 2 Splice protection sleeve, length 60 mm, PU 6 pieces	21101-123

VTLW6679

NOTE

- Please order splice holder and splice protection sleeves separately

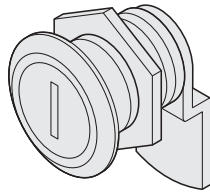


Splice holder (1), splice protection sleeve (2)

VTLW6679

Wall mounted cases – LAN wall mounted

LOCKING INSERT FOR BASIC CASE AND SIDE-BY-SIDE MODULE



41804054

- For replacement of basic case or side-by-side module inserts

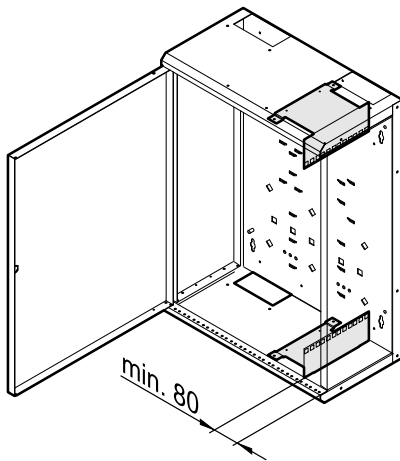
DELIVERY COMPRISES (assembled)

Item	Qty	Description
1	1	Locking insert
2	2	Key

ORDER INFORMATION

Description	Qty/PU	Part no.
Locking insert 2233-X (included in basic case)	1	60239-051

19" BRACKET FOR BASIC CASE



VTLW6685

- For constructing a vertical 19" plane (4 U) in the basic case
- Depth-adjustable in 20 mm increments

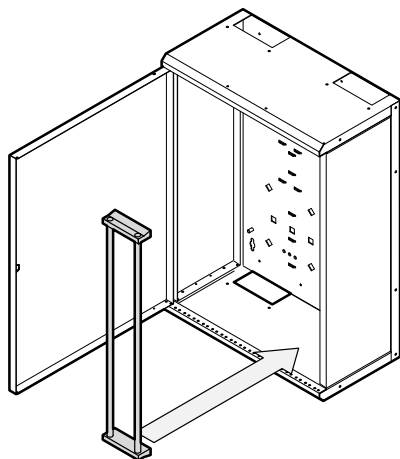
ORDER INFORMATION

Description	Part no.
19" bracket for basic case, St, 1.5 mm, RAL 7035, PU 2 pieces	60239-035

NOTE

- Not suitable in fibre optic small case and side-by-side module

LSA+ BRACKET



41801501

- For retention of LSA+ type connections
- For assembly in basic case or side-by-side module

DELIVERY COMPRISES (kit)

Item	Qty	Description
1	2	Rail holder, St, 1.5 mm, zinc-plated
2	2	Rail, stainless steel
3	1	GND/earthing kit
4	1	Assembly kit

ORDER INFORMATION

Description	Part no.
LSA+ bracket	60239-040

Wall mounted cases – LAN wall mounted

WALL MOUNTED DISTRIBUTOR, 4 U, VERTICAL



41802002

- Flat 19" wall mounted case (220 mm deep) for universal cabling systems
- Mounting possibilities for distribution panels (copper and fibre optic) or for active components (e.g. switches), up to a depth of max. 300 mm
- Prepared for fan assembly
- Type of protection IP 20 (when cover plate is closed)

DELIVERY COMPRISES (assembled)

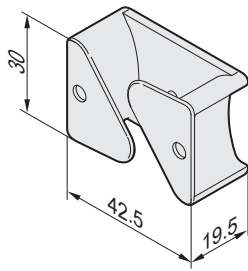
Item	Qty	Description
1	1	Case, St, 1.5 mm, RAL 7035, 2 cable ducting openings each at top and bottom (without cover)
2	1	Side panel, St, 1 mm, RAL 7035, with ventilation slots (prepared for fan assembly)
3	1	Corner door, St, 1 mm, RAL 7035, 90° offset, with acrylic glass and lateral lock 2233-x
4	3	Cover plate for cable ducting openings, supplied loose (plain or with ventilation slots, depending on mounting position)
5	1	Brush strip, black, supplied loose
6	2	19" bracket, St, 1.5 mm, RAL 7035 (4 U, vertical)
7	1	Assembly kit for wall mounting (distance from wall 6.5 mm)
8	1	Earthing kit

ORDER INFORMATION

Height mm	Width mm	Depth mm	Part no.
600	425	220	60240-006
230 V _{AC} fan with covering grille, 1 piece			20234-822
Thermostat mains connection 230 V _{AC} , 1 piece			20118-719
Brush strip for wall mounted distributor self-adhesive, PU 2 pieces			60239-031

Wall mounted cases – LAN wall mounted

CABLE DUCTING FOR FIBRE CABLE



- For cable ducting with necessary bending radius

ORDER INFORMATION

Description	Description	Part no.
Cable ducting for fibre cable	Plastic, black, PU 4 pieces	60239-020

41804051

North America

Warwick, RI, USA

Tel +1.800.525.4682

San Diego, CA, USA

Tel +1.800.854.7086

Europe, Middle East & India

Straubenhardt, Germany

Tel +49 7082 794 0

Betschdorf, France

Tel +33 3 88 90 64 90

Warsaw, Poland

Tel +48 22 209 98 35

Hemel Hempstead,

Great Britain

Tel +44 1442 24 04 71

Lainate, Italy

Tel +39 02 932 714 1

Dubai, United Arab Emirates

Tel +971 4 37 81 700

Bangalore, India

Tel +91 80 67152000

Istanbul, Turkey

Tel +90 216 250 7374

Asia Pacific

Shanghai, China

Tel +86 21 2412 6943

Singapore

Tel +65 6768 5800

Shin-Yokohama, Japan

Tel +81 45 476 0271

Our powerful portfolio of brands:

CADDY ERICO HOFFMAN RAYCHEM SCHROFF TRACER



[nVent.com/SCHROFF](https://www.nVent.com/SCHROFF)