

Testreport No. TL201334068s

Prüfgegenstand Test Item	Interscale M
Identifikation Identification	14825-197
Prüfauftrag Test Order	Measuring the deflection of the case
Prüfspezifikation Test Specification	Deflection measurement with a plate 240x200x30mm
Auftraggeber / -in Test requested by	Mr. Rieger, Mr. Joist / New Product Development
Verfasser Reported by	Thorsten Lehm
Datum Date	03.09.2013
Unterschrift Signature	

Thorsten Lehm
Testlabor / Lab Technician

Schroff GmbH
Langenalber Str. 96 - 100
75334 Straubenhardt, Germany
Office +49.7082.794.918
Fax +49.7082.794.446
thorsten.lehm@nvent.com

This report consists of 7 numbered pages. The examination results are only related to the equipment under test. This material is proprietary of Schroff GmbH. Any unauthorized reproduction, use or disclosure of this material, or any part thereof, is strictly prohibited. This material is meant solely for the use by Schroff employees and authorized Schroff customers.

Zusatzangaben Additional Information	-----
Anlieferungszustand State upon Delivery	OK
Prüfmenge Quantity	1 Interscale case
Verbleib/Verwendung To be retained/Use	Mr. Joist
Bezug (LS-Nr./QSB-Nr./Erstbericht etc.) Reference	-----

1 Zusammenfassung / Beurteilung Summary/Assessment

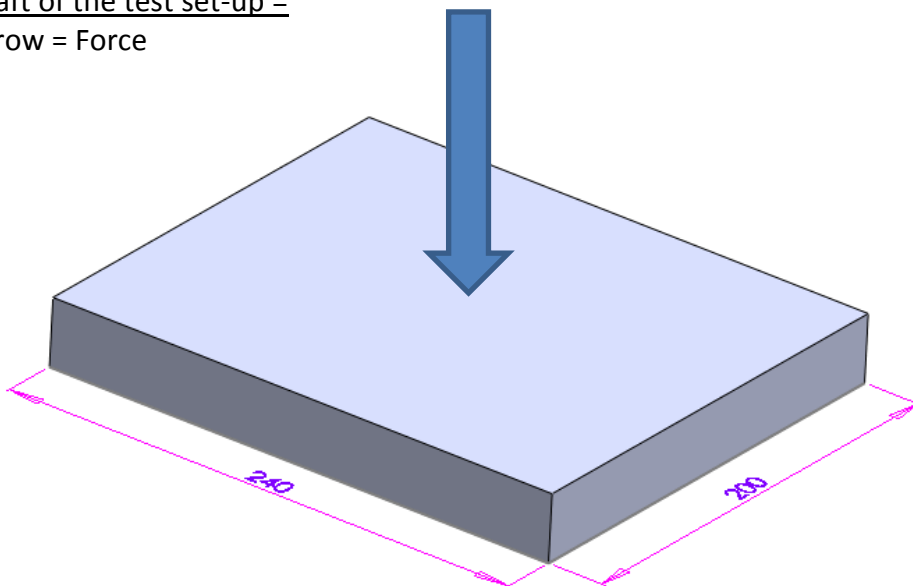
Test =

Deflection measurement with a plate BxW 240x200mm

The Interscale M passed the test SL1 on the basis of IEC 61587. The deflection is less than 0,4mm.

Draft of the test set-up =

Arrow = Force



**1.1 Prüfling(e)
Sample(s)**

Interscale M No.: 14825-197
(Measurements done with feet No.: 60224-009)

**1.2 Versuchsparameter / Versuchsaufbau / Versuchsdurchführung
Test parameters/Test set-up/Test performed**

Test =

Measurement of the deflection at the Interscale M with a plate inside the case.
Pressure on to the plate (see pictures).
Test on the basis of IEC 61587 (SL1)

**1.3 Prüfmittel / Meßgeräte
Test resources/equipment**

- Zwick material testing machine 1455

**2 Ergebnisse
Results**

See next page

Test =

Test on the basis of IEC 61587 SL1

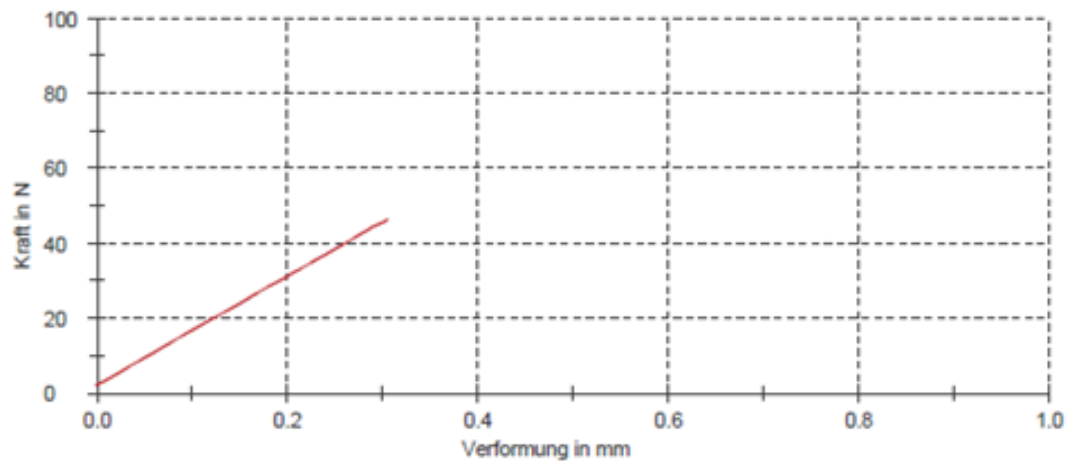
TL201334068

Überschrift : TL201334068
 Kunde : Mr. Rieger - Mr. Joist / New Product Development
 Prüfnorm : Measurement deflection of the Interscale case
 Art und Bezeichnung : 14825-197
 Prüfer : Thorsten Lehm / Testlab
 Maschinendaten : Zwick 1455
 Vorkraft : 1 N
 Prüfgeschwindigkeit : 10 mm/min

Prüfergebnisse:

Nr	F _{max} N	dL bei F _{max} mm	F bei Bruch N	dL bei Bruch mm
2	46,3	0,3	-	-

Seriengrafik:



Statistik:

Serie n = 1	F _{max} N	dL bei F _{max} mm	F bei Bruch N	dL bei Bruch mm
\bar{x}	46,3	0,3	-	-
s	-	-	-	-
V	-	-	-	-

3 Bemerkungen Remarks

Standard IEC 61587 =

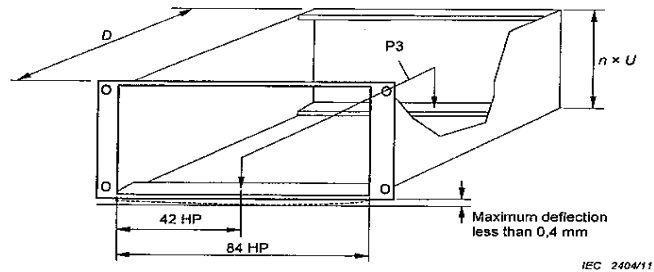
– 12 –

61587-1 © IEC:2011

7.2.1.2 Subracks IEC 60297 series

Load distribution for classification SL1 (Figure 2).

For U see IEC 60297-1, for D and HP see IEC 60297-3-101.



Single point load $P_3 = 46 \text{ N}$

NOTE A single point load shall be applied equally to all lower horizontal members along the centre line of the subrack.

Figure 2 – Static load test, single force for subracks IEC 60297 series

Classification SL1 = 46N for subrack tested with single load (see Table 4).

Assessment following the test

The acceptance criteria is that the maximum deflection shall be less than 0,4 mm.

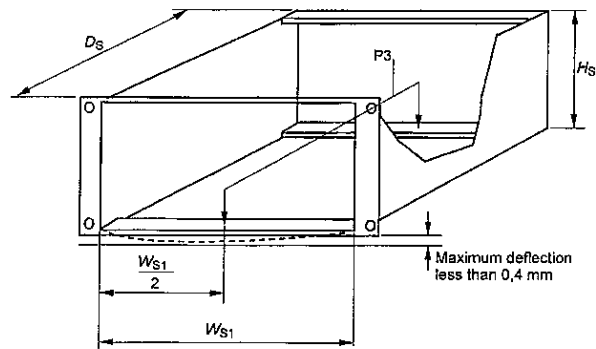
61587-1 © IEC:2011

- 13 -

7.2.1.3 Subracks IEC 60917 series

Load distribution for classification SL1, SL2 and SL3.

For D_s , W_{S1} and H_s see IEC 60917-2-2.



NOTE Single point load tests shall be applied equally to all lower horizontal members along the centre line of the subrack as detailed in Figure 3 and Table 4.

Figure 3 – Static load test, single force for subracks IEC 60917 series

Table 4 – Static mechanical load classifications for subracks of the IEC 60917 series

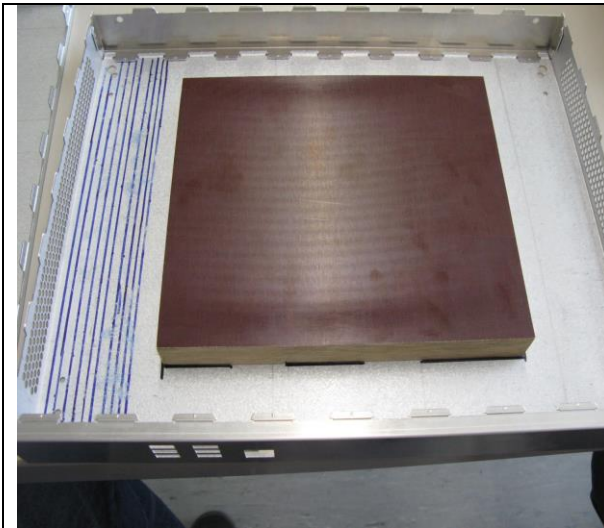
Performance level	Single point load P3 (see Note of Figure 3) N
SL 1	46
SL 2	69
SL 3	92

Assessment following the tests

The acceptance criteria is that the maximum deflection shall be less than 0,4 mm.

4 Anlage(n)
Enclosures

Pictures =



Picture 1=

Test with a plate BxW 240x200mm.



Picture 2=

Force on the plate with a stamp.
After all tests = no permanent
deformation could be detected.

Arrow = Force