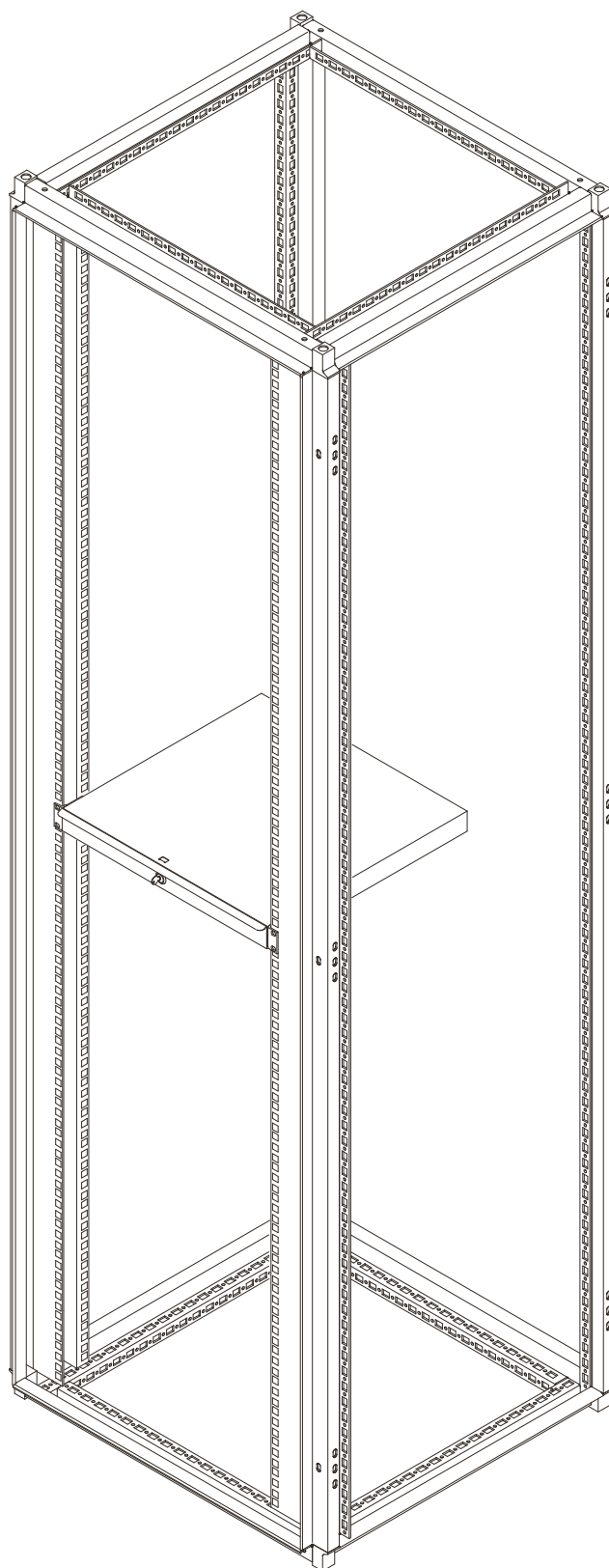


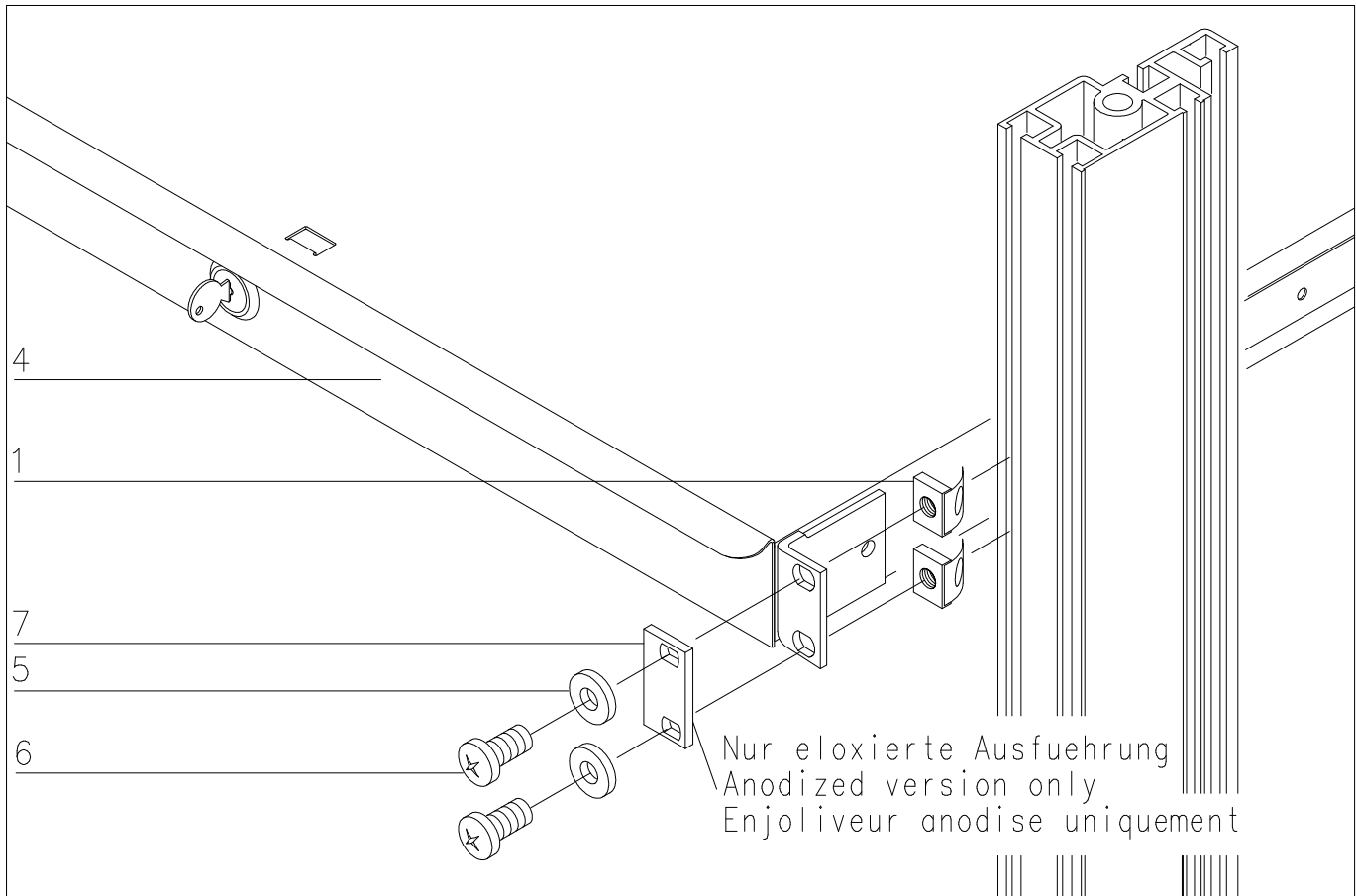
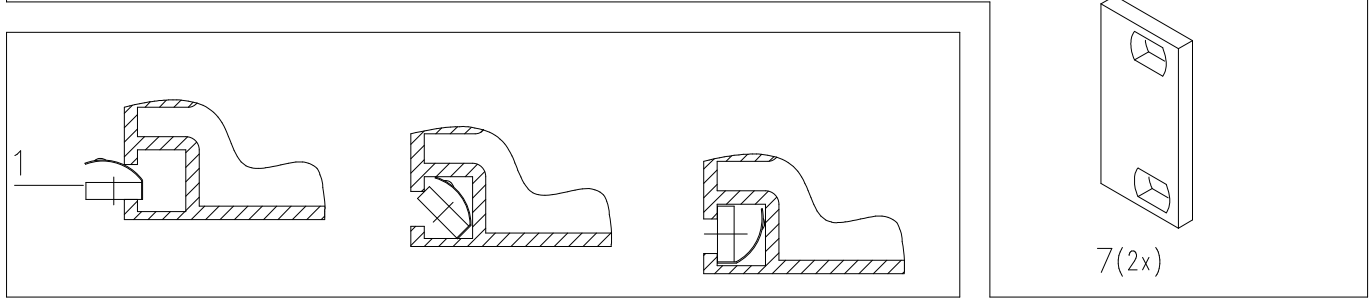
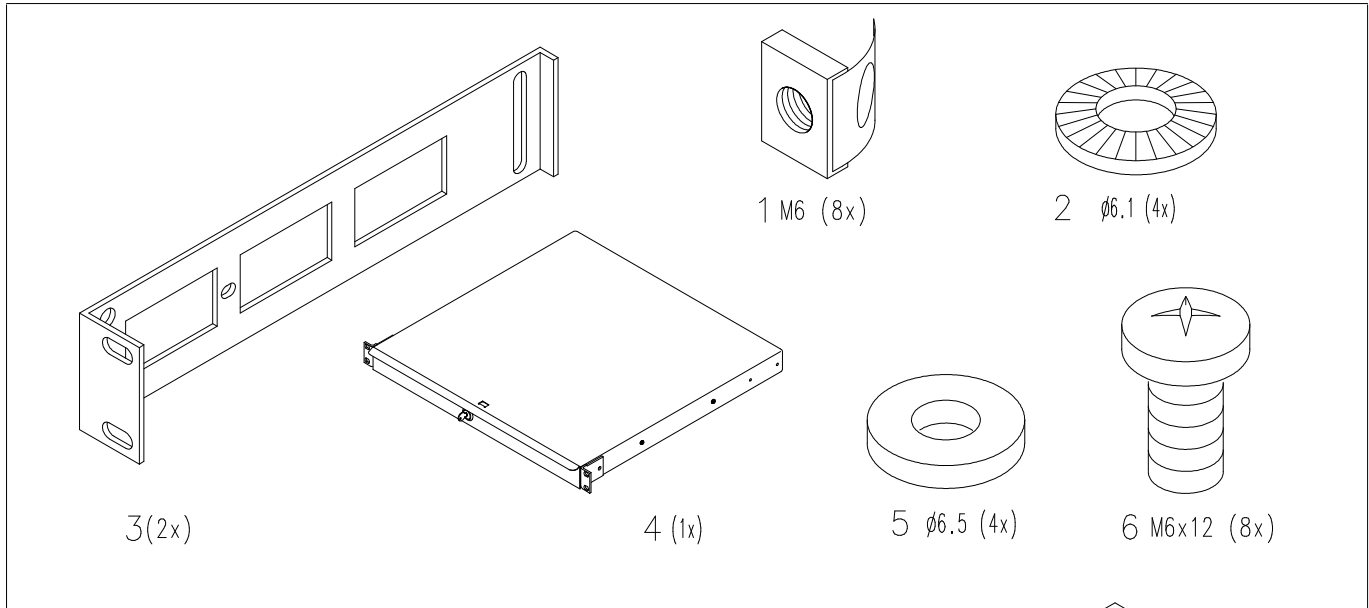
Benutzeranleitung
Schubfach 1HE
PROLINE, *eurorack*,
minirack, *comrack*

User Manual
Drawer 1U
PROLINE, *eurorack*,
minirack, *comrack*

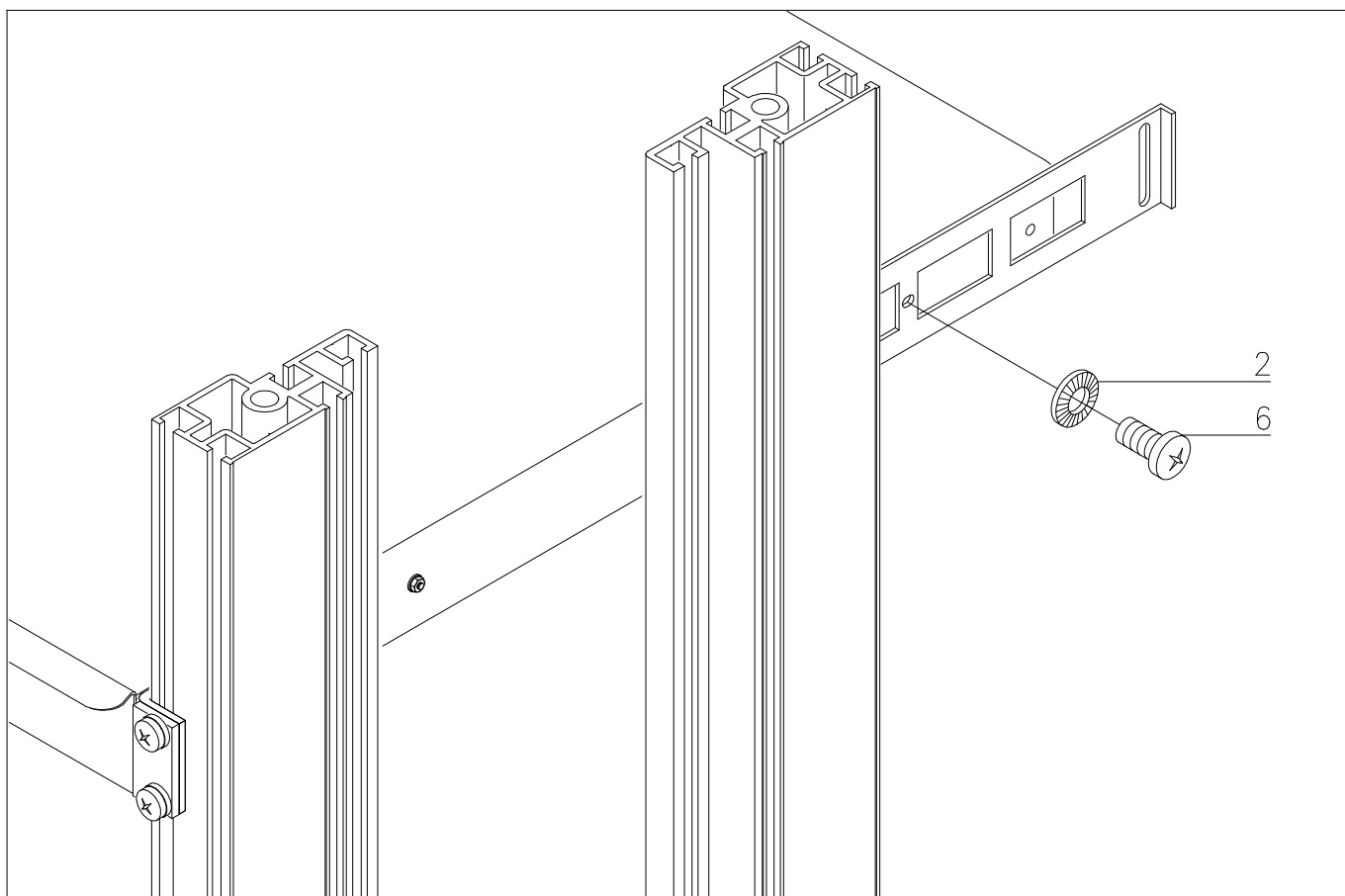
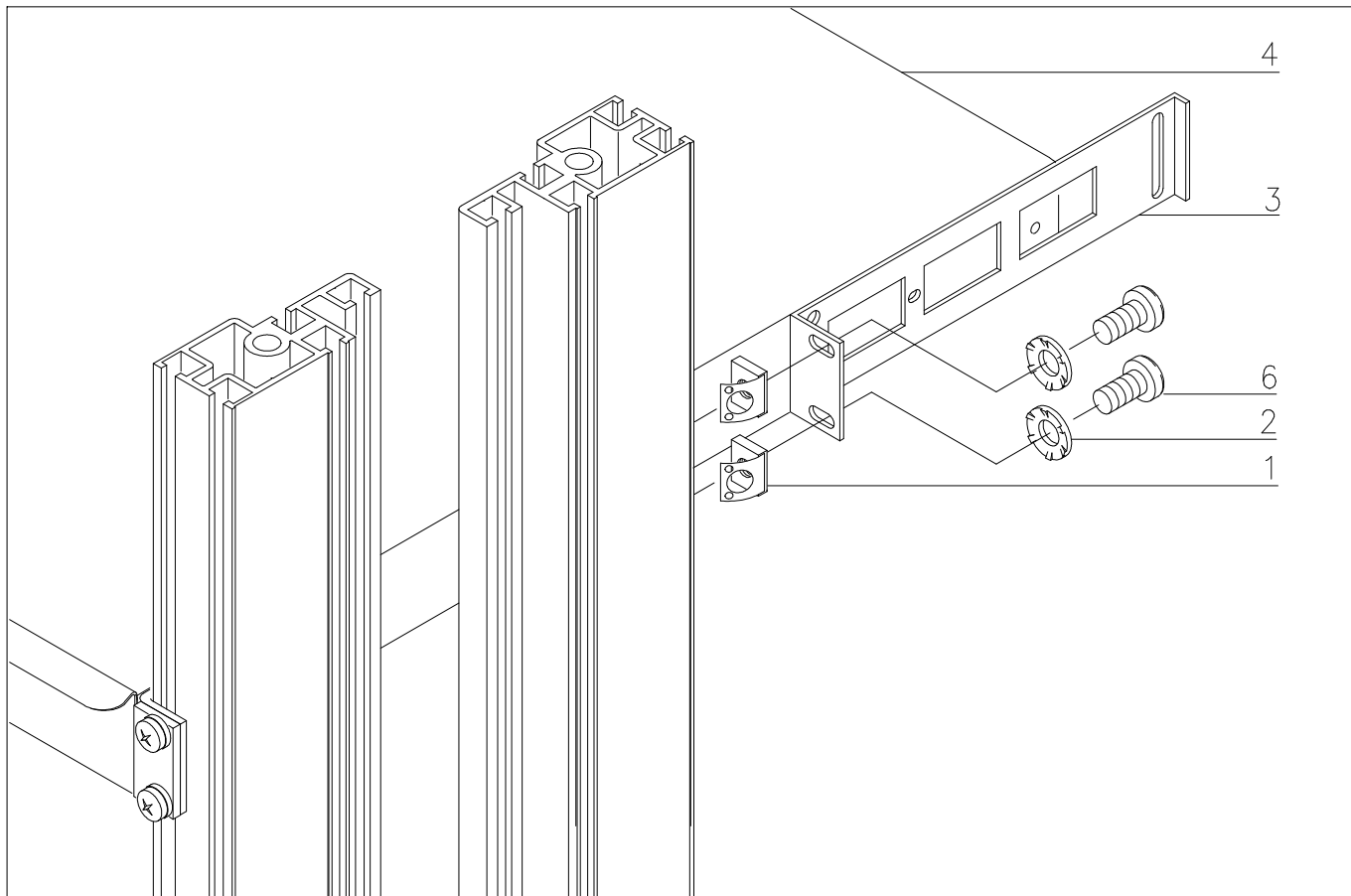
Instruction utilisateur
Tiroir 1U
PROLINE, *eurorack*,
minirack, *comrack*



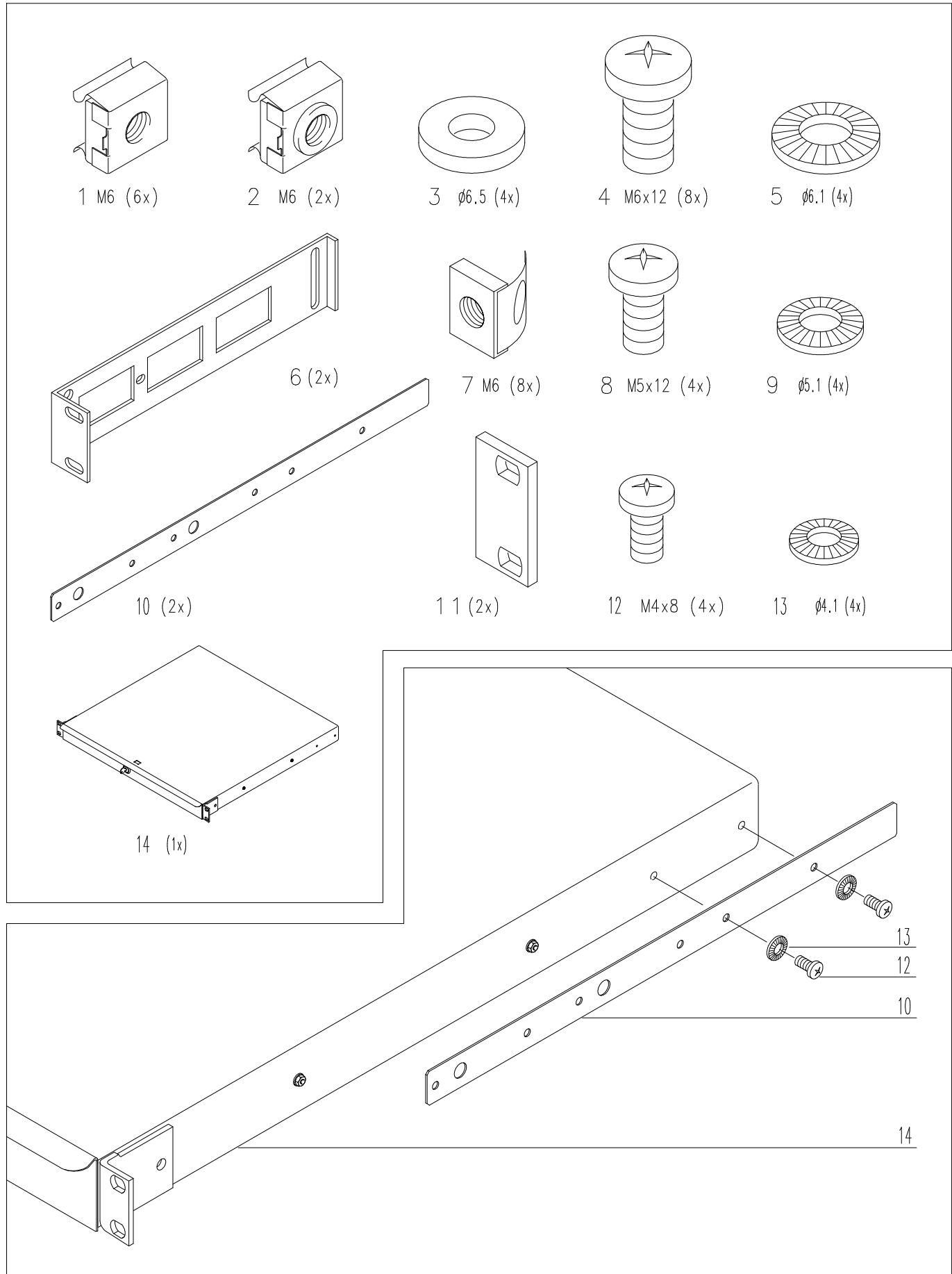
1HE / 1U *comrack*



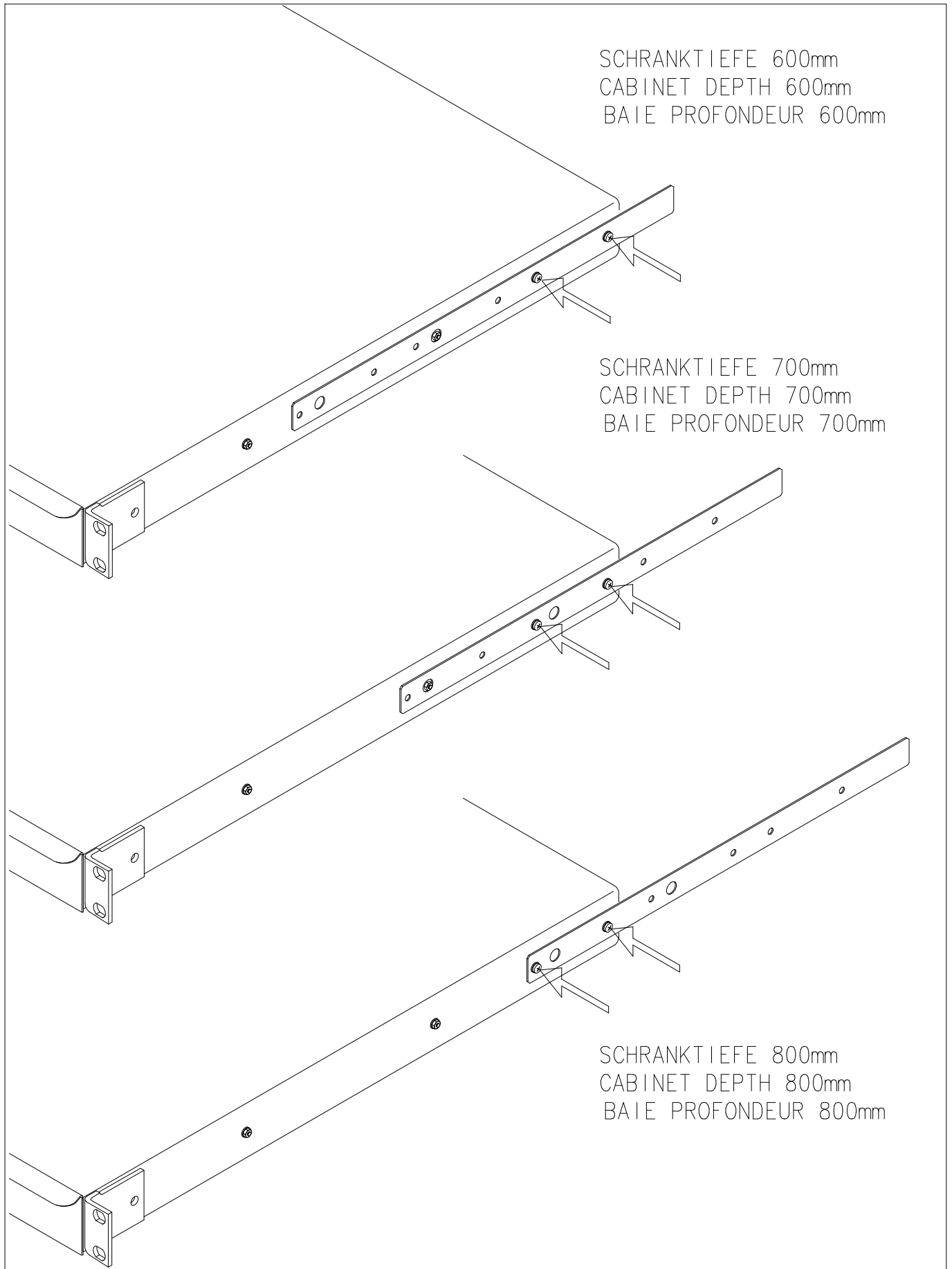
1HE / 1U *comrack*



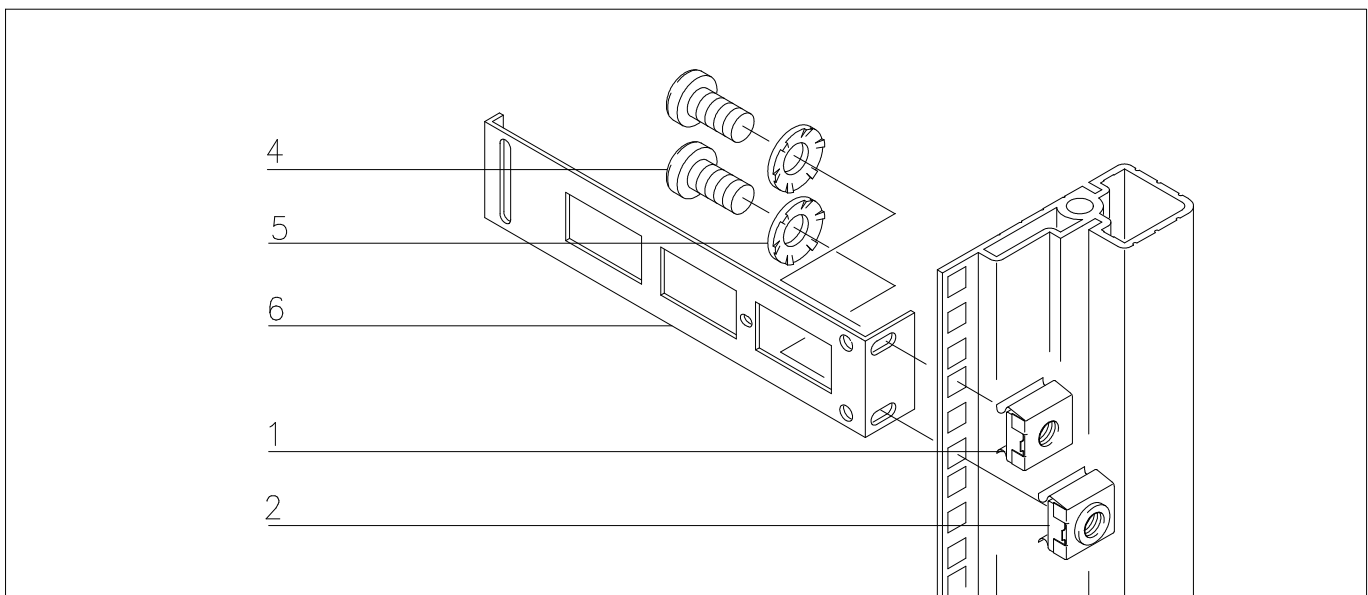
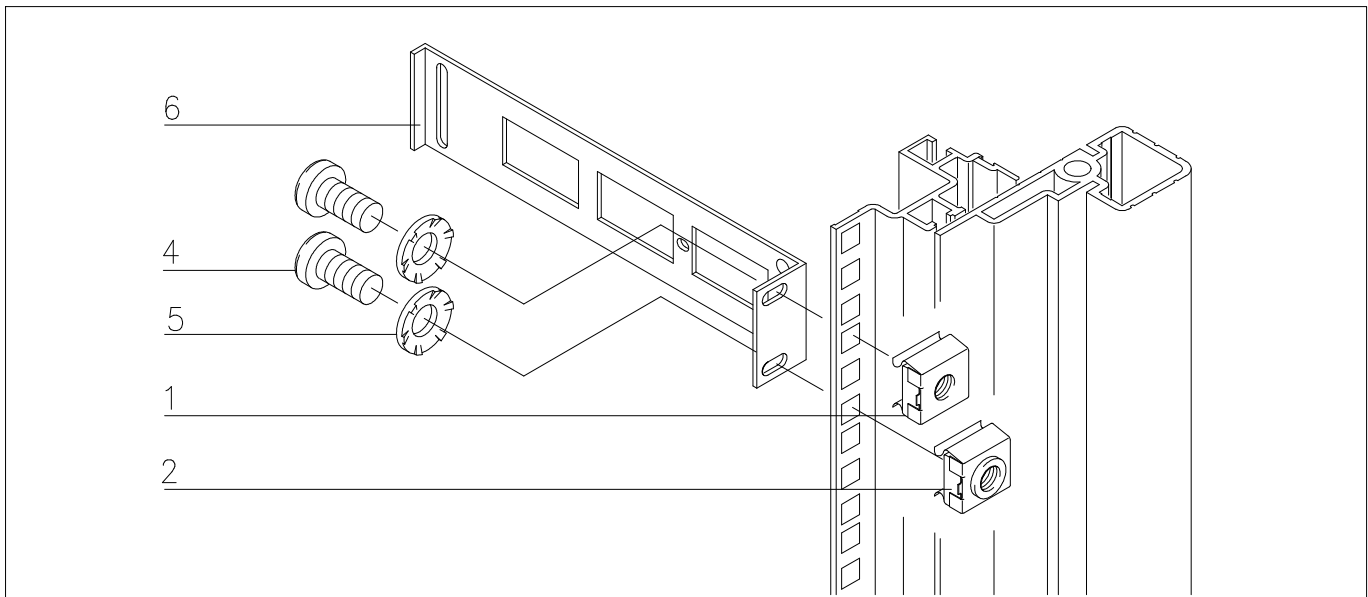
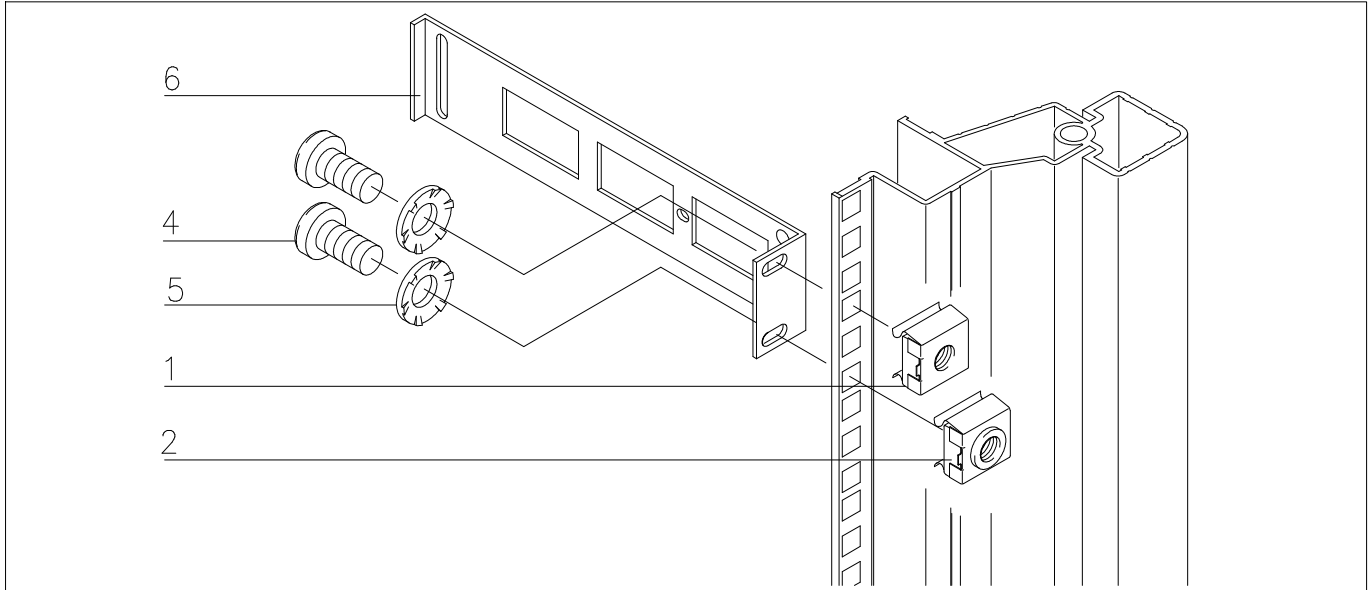
1HE / 1U eurorack, minirack, PROLINE



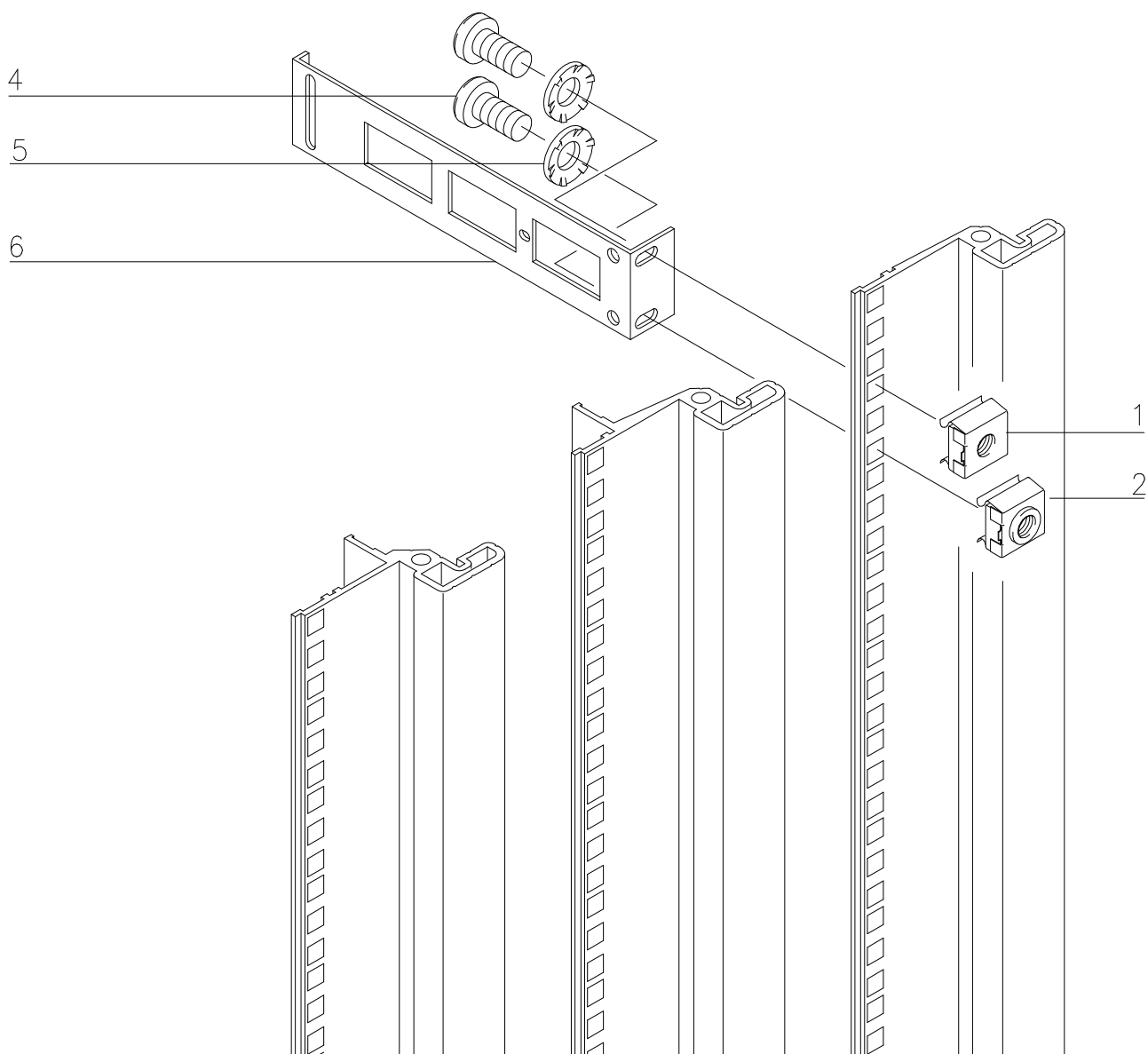
1HE / 1U eurorack, minirack, PROLINE



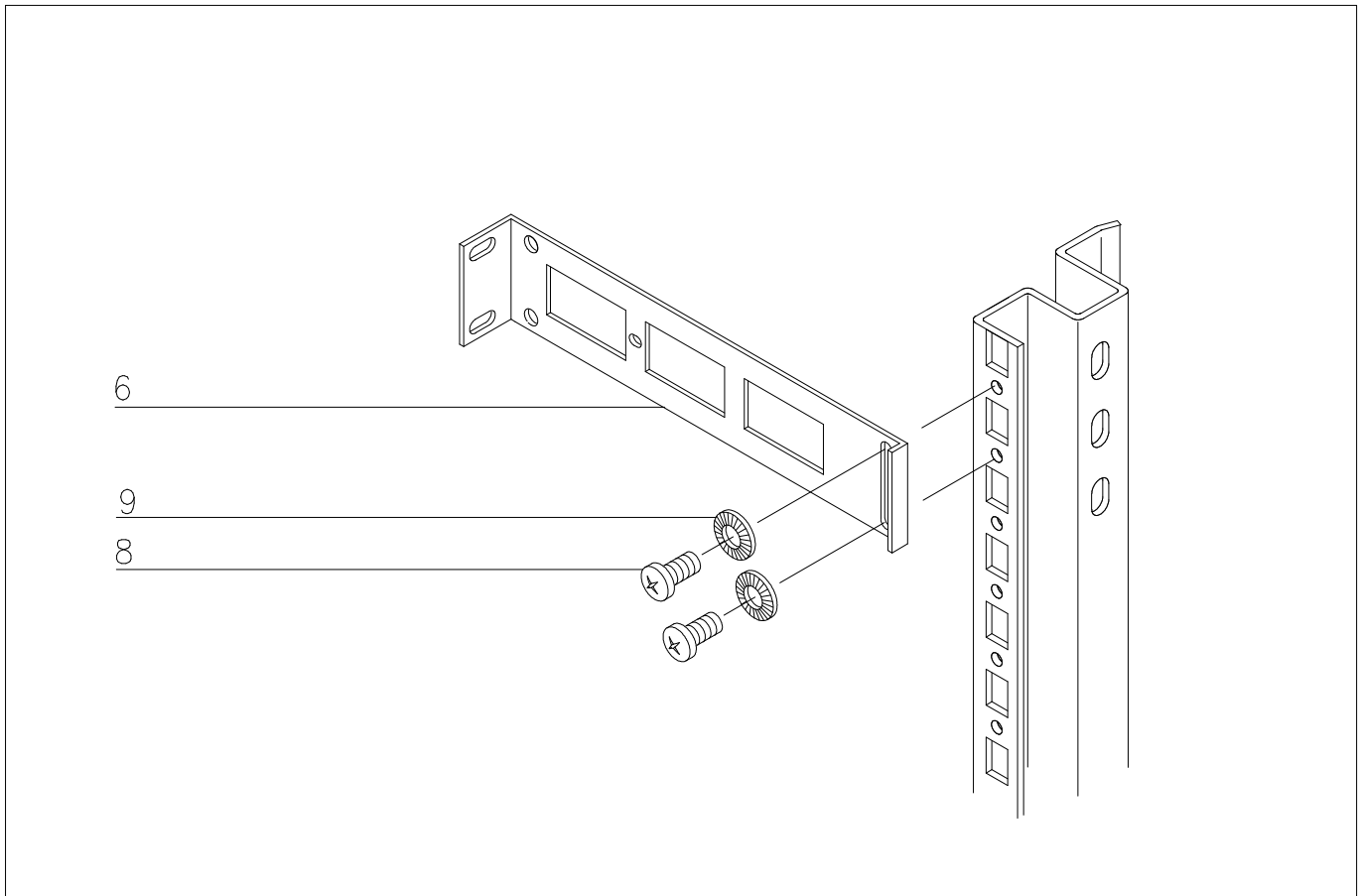
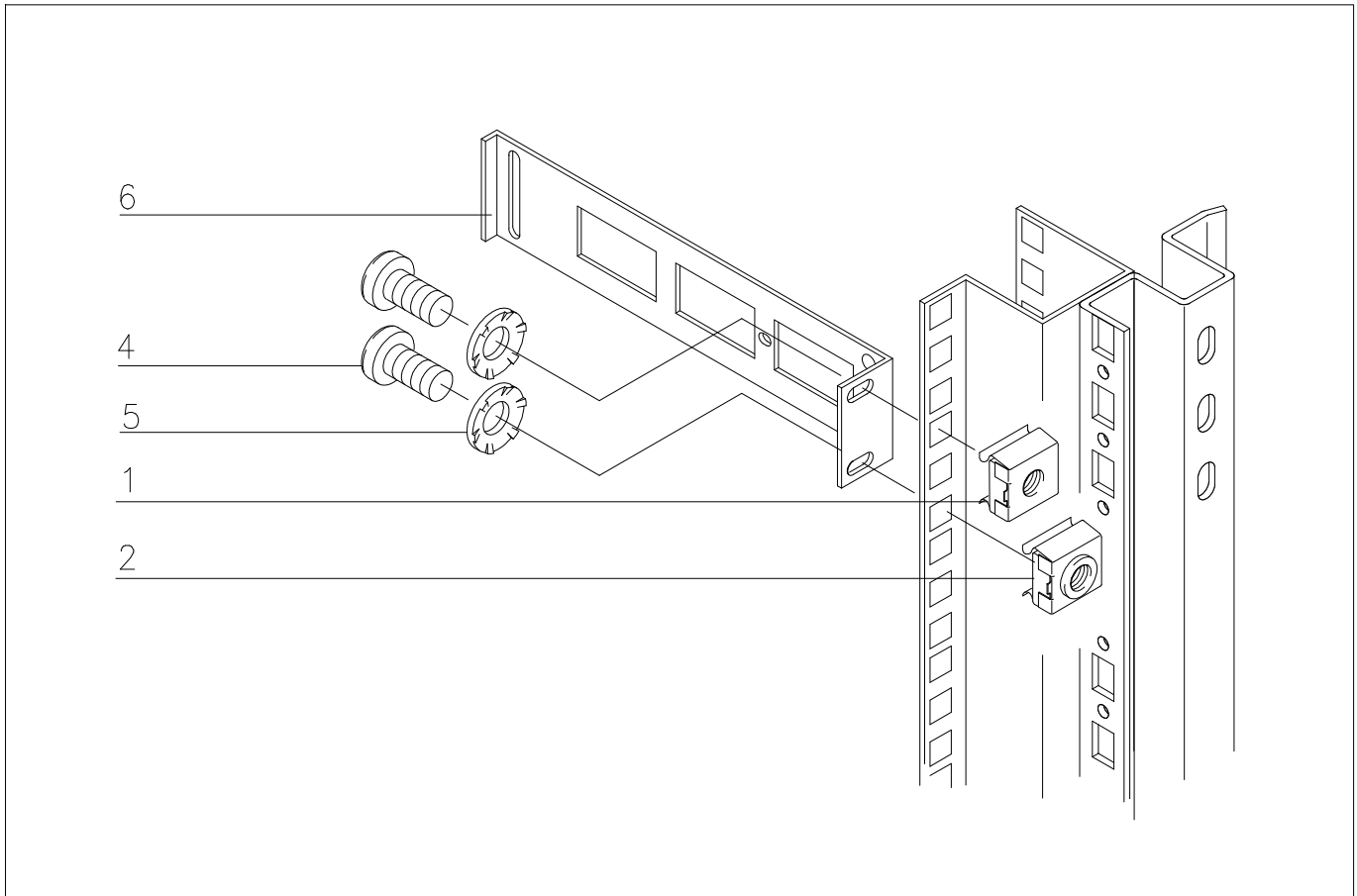
1HE / 1U eurorack



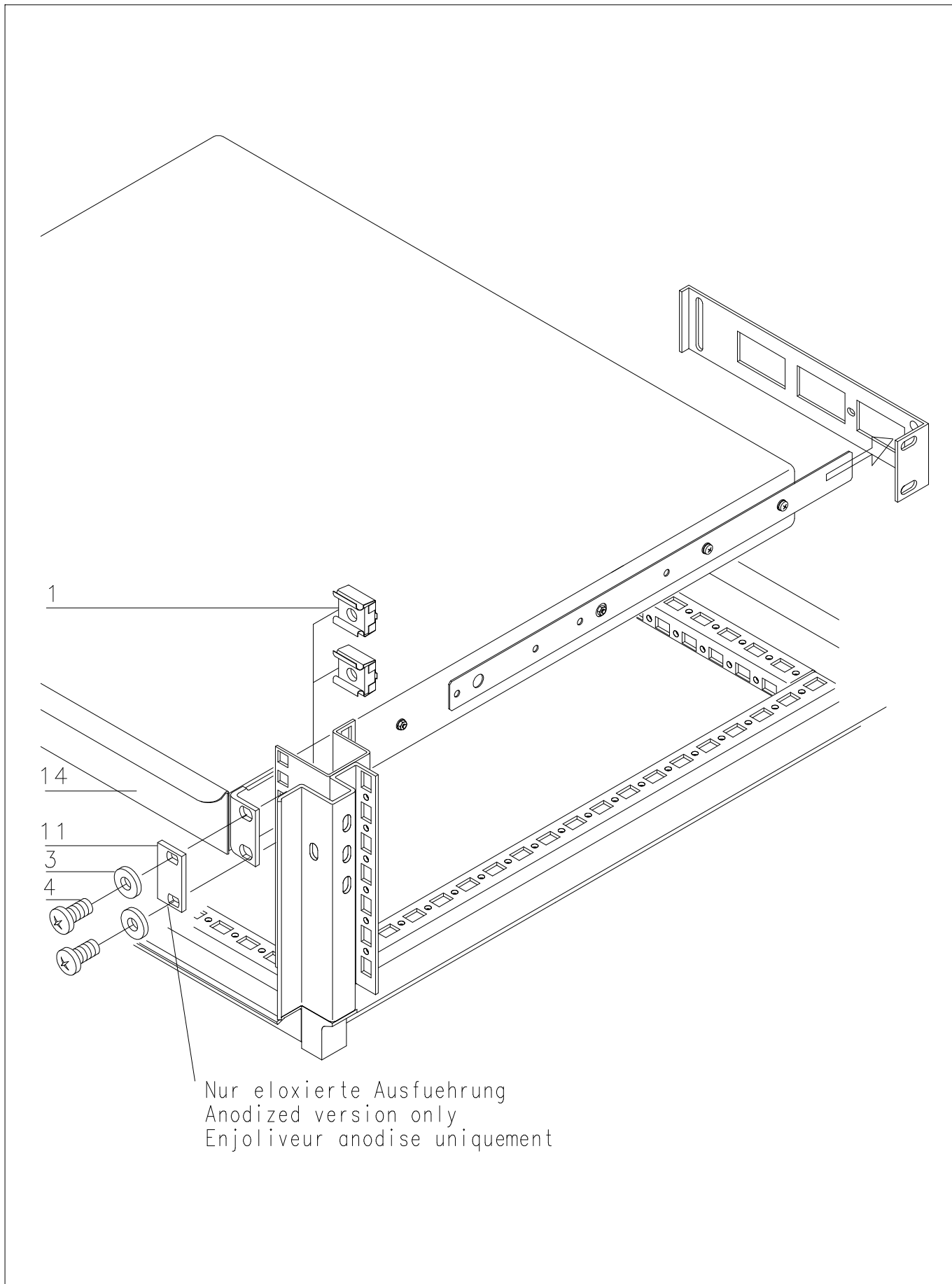
1HE / 1U *minirack*



1HE / 1U PROLINE



1HE / 1U *eurorack, minirack, PROLINE*



1HE / 1U *eurorack, minirack, PROLINE*

