



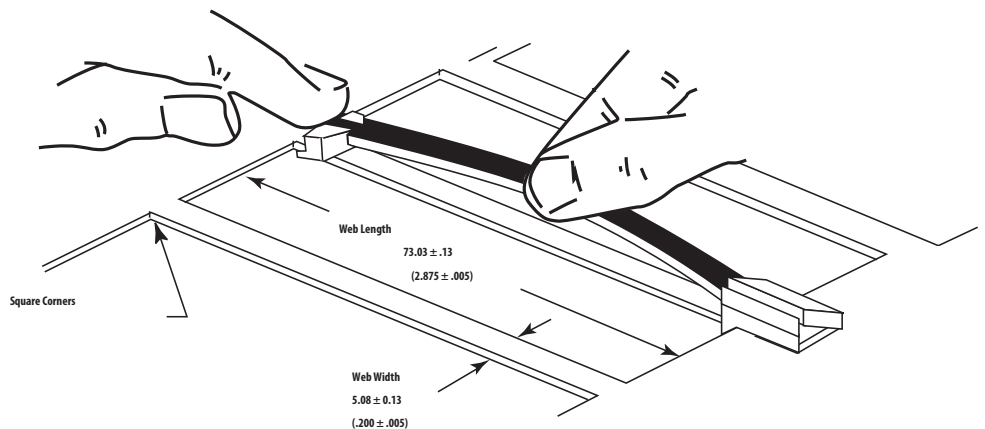
SERIES 115-287-CARD GUIDE

MATERIALS

Nylon 6/6. Meets UL 94V-2. Self extinguishing to flame. May be used at 121°C (250°F) continuously. Resistant to alkalis, weak acids, and common solvents.

COLOR

Standard color is natural (white). Additional colors are special order. Contact factory for availability.



Part Number Code	
Series 115-287 Card Guide	115-287 - 3 - BLK
Board Thickness	
2.40 (.093) PCB Thickness	3
1.60 (.063) PCB Thickness	[Blank]
Color	
White	[Blank]
BLK, BRN, ORG, YEL, GRN, BLU	XXX
(Colors other than White will require special order and part number)	

APPLICATION DATA

1. Slip front end of guide on first.
2. Bow guide and tuck back under. Fits up to 1.65 (.065) thick material.

