



**SERIES 107-50 ALUMINUM INSERTER / EXTRACTOR**

**MATERIALS AND FINISH**

**EXTRACTOR**

**Materials:**

Aluminum alloy 6061-T6

**Finish:**

Black anodize per Mil-A-8625, Class 2, Type II or Clear Chemical Film per Mil-DTL-5541, Class 3, Type II for a conductive finish.

**ASSEMBLY PIN**

**Materials:**

Stainless steel

**Finish:**

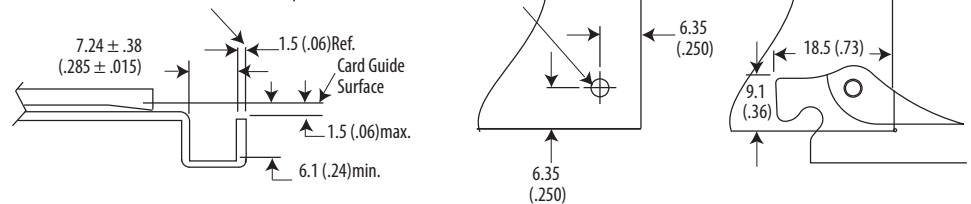
Passivated

**Detail of Actuating Surfaces**

Required on Top and Bottom guide plates

Provides insertion and extraction travel of 8.9 (.35) min.

Nominal position of card edge when seated in connector. The inserter-extractor can move the board an additional 1.3 (.050) if necessary due to the tolerances of the assembly



**APPLICATION DATA**

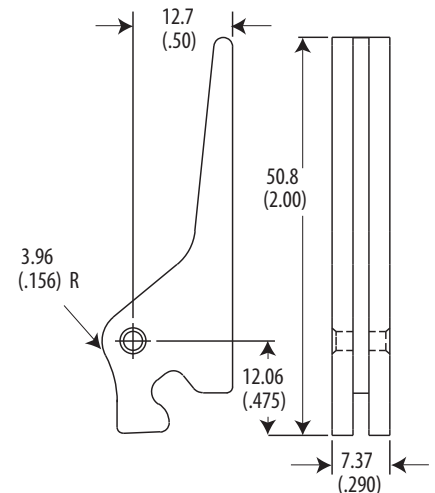
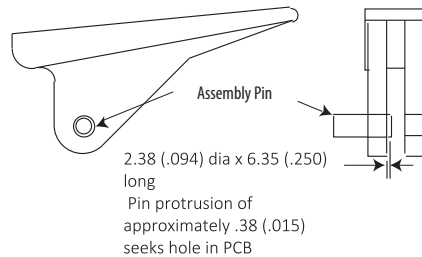
Two inserter or inserter-extractors are recommended per printed circuit board taller than 127 mm (5 in) height.

**ASSEMBLY PIN**

Option to be pre-started for:

- Faster and easier installation of the extractor to the PCB
- Eliminates the need for special tools or equipment and set up time.
- Eliminates loss of loose assembly pins

If the "P" option is not selected, the extractors and the pins will be packaged separately.



Units: mm (in)  
Unless otherwise specified:  
.xx ± .25, .x ± .5  
(.xxx ± .010, .xx ± .02)

| Part Number Code                        |   |   |            |
|---|---|---|------------|
| <b>Series 107-50 Inserter/Extractor</b> | P | C | 107-50 - 3 |
| <b>Assembly Pin</b>                     |   |   |            |
| Loose _____                             |   |   | [blank]    |
| Pre assembled _____                     | P |   |            |
| <b>Finish</b>                           |   |   |            |
| Black Anodized _____                    |   |   | [blank]    |
| Conductive Clear Chem Film _____        |   | C |            |
| <b>PCB Thickness</b>                    |   |   |            |
| 1.6 (.063) _____                        |   |   | [blank]    |
| 2.4 (.094) _____                        |   |   | 3          |
| 3.2 (.125) _____                        |   |   | 4          |

**Part Number Code example: PC107-50-3**

Series 107-50 extractor, with pre-started assembly pin, conductive clear chem film finish, for PCB thickness of 2.4 (.094)