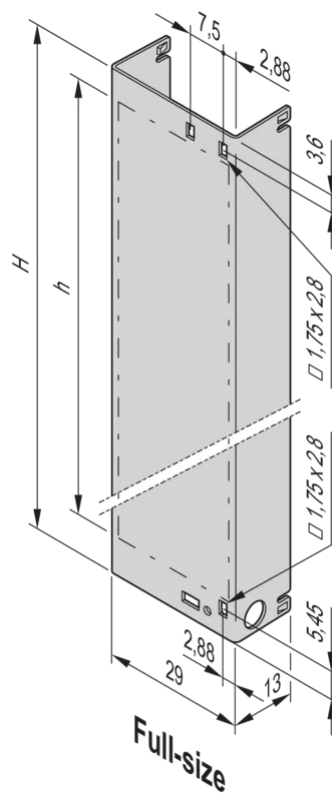
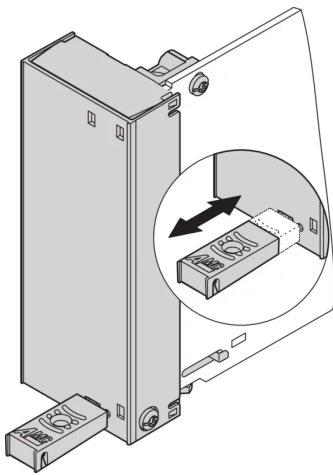
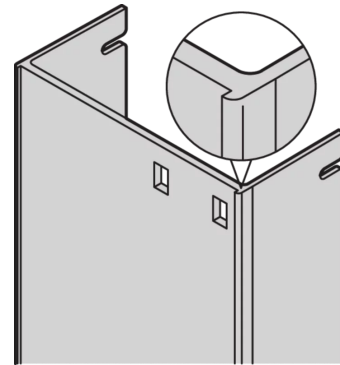
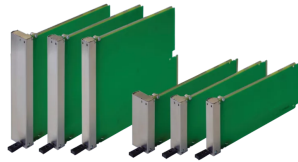
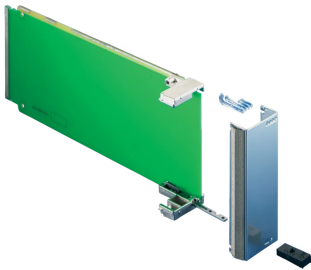


30849-658 AMC FRONT PANEL WITH PULL HANDLE, SINGLE MID-SIZE, 4 HP, AL



**KEY FEATURES**

In accordance with AMC.0 R2.0 specification

Front panel for pull-handle mechanism (with cut-outs for light pipe)

For the use together with the AMC Pull-handle mechanism, AMC.0 R2.0

## PRODUCT ATTRIBUTES

---

Product Type: Front Panel

Accessory Type: Front panel

Material: Aluminum

Front Finish: Raw

Rear Finish: Raw

Height: 73.8 mm

Rack Width: 4 HP

Width: 19 mm

Depth: 2.5 mm

Package Quantity: 1

## ADDITIONAL PRODUCT DETAILS

---

AdvancedMC Front Panel including EMC gasket for AMC.0 Rev. 2.0 Modules.

## CERTIFICATIONS

---



### North America

All locations

+1.763.422.2661

Chat with us:

[schroff.nvent.com](https://schroff.nvent.com)

### Europe

Straubenhardt, Germany

+49.7082.794.0

Betschdorf, France

+33.3.88.90.64.90

Warsaw, Poland

+48.22.209.98.35

Assago, Italy

+39.02.932.7141

Chat with us:

[schroff.nvent.com](https://schroff.nvent.com)

### Asia

Shanghai, China

+86.21.2412.6943

Qingdao, China

+86.532.8771.6101

Singapore

+65.6768.5800

Shin-Yokohama, Japan

+81.45.476.0271

Chat with us:

[schroff.nvent.com](https://schroff.nvent.com)

### Middle East & India

Dubai, United Arab Emirates

+971.4.378.1700

Bangalore, India

+91.80.6715.2001

Istanbul, Turkey

+90.216.250.7374

Chat with us:

[schroff.nvent.com](https://schroff.nvent.com)



Our powerful portfolio of brands:  
[nVent.com](https://nVent.com) **CADDY ERICO HOFFMAN RAYCHEM SCHROFF TRACER**

© 2024 nVent. All nVent marks and logos are owned or licensed by nVent Services GmbH or its affiliates. All other trademarks are the property of their respective owners.

nVent reserves the right to change specifications without notice.