

**CONNECT AND PROTECT**

**EuropacPRO  
Rugged**

04/2023

  
nvent

**SCHROFF**

# Subracks – EuropacPRO Rugged

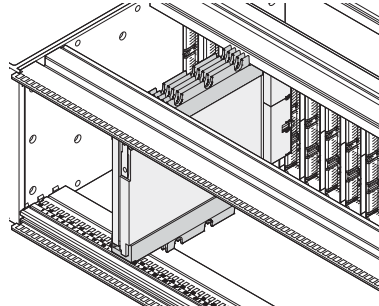
## OVERVIEW

### MAIN KATALOG

- Cabinets . . . . . 1
- Wall mounted cases . . . . . 2
- Accessories for cabinets and wall mounted cases . . 3
- Climate control . . 4
- Electronics cases . . . . . 5
- Subracks/ 19" chassis . . . . . 6
- Front panels, plug-in units . . . . . 7
- Systems . . . . . 8
- Power supply units . . . . . 9
- Backplanes . . . . . 10
- Connectors, front panel component system . . . . . 11
- Appendix . . . . . 12



06112004  
"rugged" horizontal rail with 3 hole fixing for increased stability (+60 % compared to 2 hole fixing of "heavy" horizontal rail)



06112052  
Special adaptor rails allow conducted cooled assemblies to be fitted



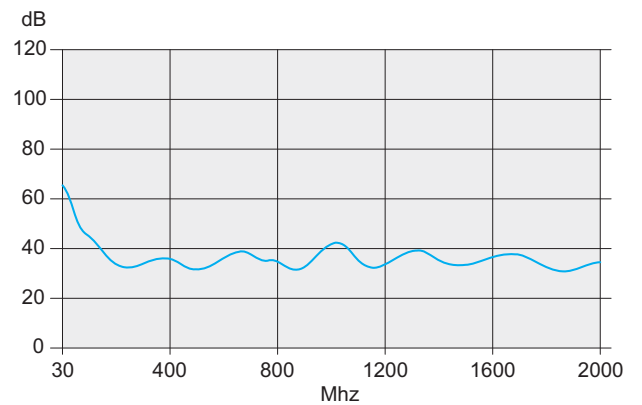
Y.dvixs\_001a1  
Shock and vibration resistant in all three axial directions

### Standards/Approvals

- Internal and external dimensions in accordance with:  
IEC 60297-3-100, -101, -102, -103, -104, -105,  
IEEE 1101.1, IEEE 1101.10/11
- Type of protection IP 20, in accordance with IEC 60529
- EMC testing to IEC 61587-3
- Shock and vibration test report;  
MIL 167, IEC 61587 DL 3,  
MIL 810 G, MIL 901 D

### Note

- Other finishes e.g. yellow chromated on request
- Subrack with telescopic slides can be adapted for cabinet mounting on request



EMC curve

06108081

# Subracks – EuropacPRO Rugged

## OVERVIEW

### 19" SUBRACKS

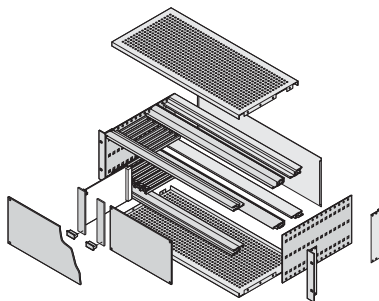
- Shock and vibration resistant up to 25 g
- Kits or individually configured subracks
- A product and accessory platform for the most different customers' requirements and applications
- Suitable for CompactPCI and VMEbus insertion and extractor handles
- EMC shielding can easily be retrofitted
- 3D PDF or CAD 3D data available for download



06112017

#### Kits

- All required parts are available under one part number, even partly assembled
- Most popular versions and dimensions available from stock
- For installed loads up to 25 kg
- Supplied as a space-saving flat pack



06105058

#### ServicePLUS individual configuration

- Single parts may individually be configured, respectively assembled on request (from quantity 1)
- Wide range of variants in height, width and depth
- Guide rails for different applications
- EMC shielding material to improve EMC performance
- Other accessories and assembly kits

#### ServicePLUS

e.g. modification (cut-outs)

e.g. downloads (CAD drawings,  
user manuals, test reports)

e.g. custom solutions (special depths, electromagnetically shielded applications)

Overview . . . . . 6.92

Introduction . . . . . 6.4

Kits . . . . . 6.94

Individual configuration . . . . . 6.97

ServicePLUS . . . . . 6.95  
Application examples . . . . . 6.71

europacPRO . . . . . 6.6

Subracks for mobile railway applications . . . . . 6.70

europacPRO for industrial applications . . . . . 6.86

# Subracks – EuropacPRO Rugged

## KIT, RUGGED, SHIELDED, FOR BACKPLANE MOUNTING

- Subrack with robust side panel and horizontal rail, type R "rugged"
- Rear horizontal rail for backplane mounting with insulation strip
- Shielding typically 40 dB at 1 GHz, 30 dB at 2 GHz (as per VG 95373, part 15), on condition that the front is closed with sealed front panels
- Shock and vibration resistant to 25 g

### DELIVERY COMPRISES (Kit)

Item	Qty		Description
	3 U	6 U	
1	2	2	Side panel type R, Al, 3 mm, clear passivated, with 19" support bracket 3.5 mm (tox-cold welded); for EMC gasketing (textile)
2	2	2	Front handle incl. fixing material kit
3	2	2	Rear corner profile for EMC gasketing (textile)
4	1	-	Front horizontal rail (R-KD)
4a	1	2	Front horizontal rail (R-LD)
4b	2	2	Rear horizontal rail (H-KD)
4c	2	2	Rear horizontal rail, centre (R-ST)
4d	-	1	Rear horizontal rail, centre (ST)
5	6	8	Threaded insert (pre-fitted)
6	2	2	Perforated strip (pre-fitted)
7	2	4	Insulation strip (pre-fitted)
8	2	2	EMC cover plate, rugged, with top cover locking
9	1	1	EMC rear panel
10	1	1	EMC gasketing material, fixing material kit, user manual

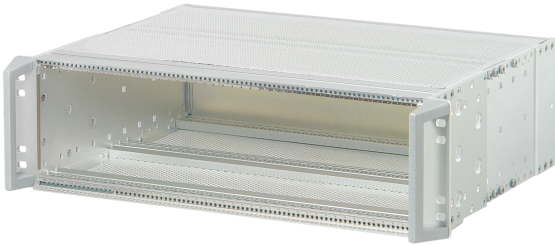
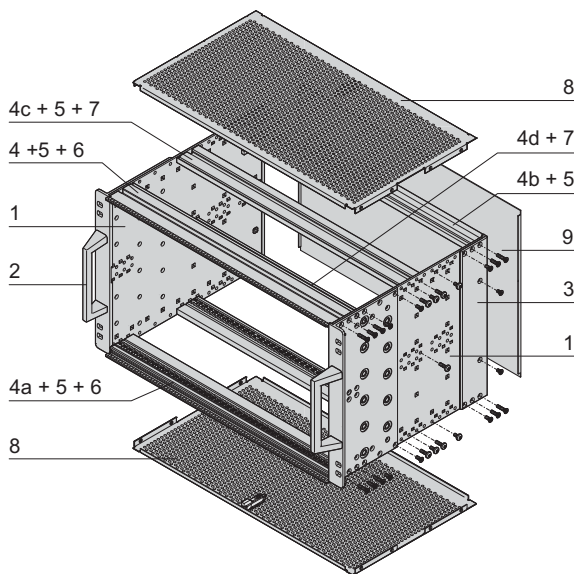
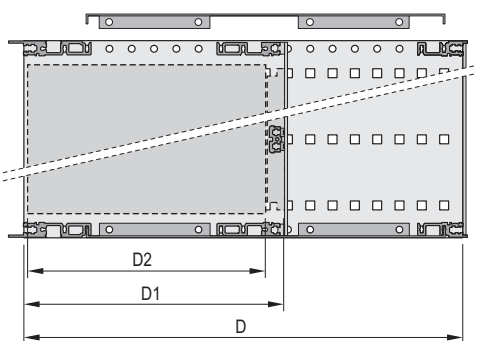


Illustration shows 3 U subrack



6 U



D = overall depth, D1 = insertion depth,  
D2 = board depth = D1 - 15 mm



Rear horizontal rail for backplane mounting with insulation strip

### ORDER INFORMATION

Height U	Width HP	Depth D mm	Depth D1 mm	Part no.
3	84	295	175	<b>24567-149</b>
6	84	295	175	<b>24567-449</b>

#### Accessories

Guide rails, accessories, 160 mm deep PC, UL 94 V-0, red, groove width 2 mm, PU 10 pieces	<b>24568-361</b>
Torx panhead screw 2.5 x 9.3, zinc-plated, PU 100 pieces; torque max. 0.2 Nm	<b>24560-141</b>
ESD clip for guide rails PU 50 pieces	<b>24560-255</b>
Guide rail accessories for heavy PCBs, extra strong Al extrusion, groove width 2 mm, 160 mm deep, 1 piece (SPQ 10)	<b>34562-881</b>
Torx pan head screw 2.5 x 7.3, zinc flake coating, black, 100 pieces; torque max. 0.2 Nm	<b>24560-157</b>
Adaptor to accommodate conduction cooled assemblies (CCA) for VPX applications, 160 mm deep, PU 1 pair; includes fixing material kit	24566-004
Adaptor to accommodate conduction cooled assemblies (CCA) for CompactPCI applications, 160 mm deep, PU 1 pair; includes fixing material kit	24566-005
19" dual fixing materials kit suitable for a subrack with double fixing holes (bolts, washers and nuts), PU 1 kit	<b>24566-109</b>

### NOTE

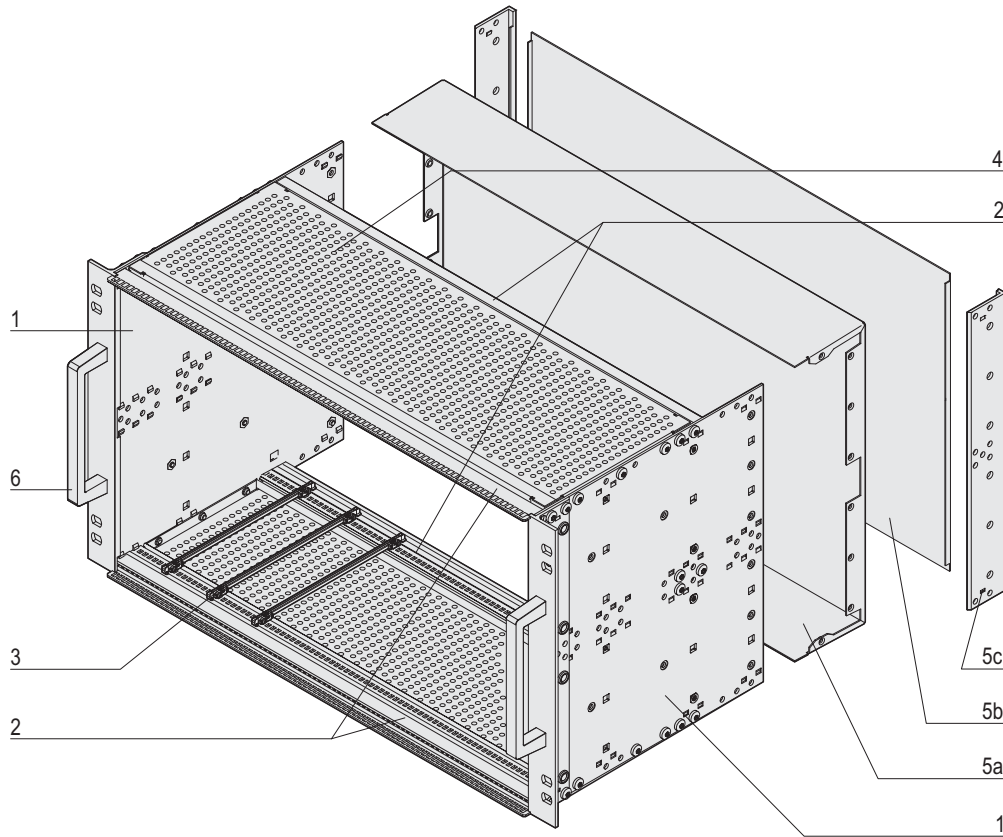
- Test reports online
- For further accessories see from page 6.19



# Subracks – EuropacPRO Rugged

# Subracks – EuropacPRO Rugged

## OVERVIEW OF INDIVIDUAL COMPONENTS FOR SHIELDED OR UNSHIELDED SUBRACKS



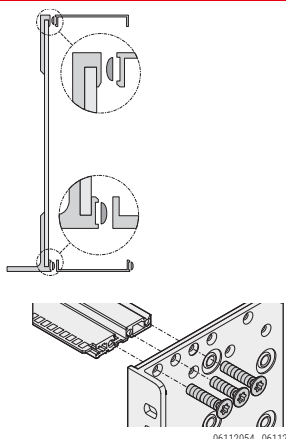

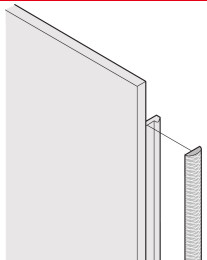
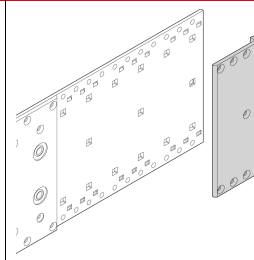
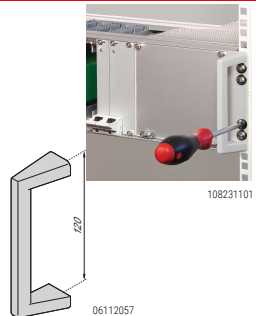
06108086

Item	Description	Description	page
Item 1	Side panels	Establish the height and depth of the subrack; Al, 3 mm, with universal hole positions for mounting of accessories	6.97
Item 2	Horizontal rails	Establish the width of the subrack; Al extrusion, with defined hole positions for guide rails, grooves for threaded inserts, M4 thread at front, functional rail shapes, basically differing with regard to their mechanical loading capacity: rugged loading up to 15 kg	6.98
Item 3	Guide rails	Guide rails act as interface between subracks and boards, for different board formats, are available in plastic or metal, optionally codable and optionally can be fitted with ESD clip to allow electrostatic discharge	6.105
Item 4	Cover plates	Provide mechanical protection and/or EMC shielding and are perforated	6.108
Item 5	Rear/front	Rear hood (5a) or front panel (5b) with corner profile (5c) as support for EMC shielding gaskets used in conjunction with shielded front panels; Note: rear hood and corner profile cannot be fitted simultaneously	6.49
Item 6	Handles	Handles can be mounted on the 19" brackets	6.97
-	EMC shielding (without illustration)	Extensive component range for specific shielding	6.110
-	Internal mounting (without illustration)	Universal assemblies, e.g. for horizontal and vertical mounting and for mounting plates	6.109 6.60

# Subracks – EuropacPRO Rugged

## SIDE PANEL TYPE R, EMC SEALING, CORNER PROFILE, FRONT HANDLE

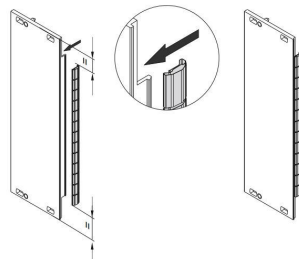
### ORDER INFORMATION

		Side panel type R for textile gasket	EMC textile gasket		Corner profile, rugged	Front handle
		 <p>Side panel, Al 3 mm, tox-cold welded with 19" Al bracket, 3.5 mm with handle hole, clear passivated, front anodised; please order front handles separately</p>	 <p>Textile gasket, core: foam, sleeve textile cladding with CuNi coating, UL 94 V-0, <b>temperature range</b> -40°C to +70 °C    -40°C to +85 °C</p>		 <p>Al extrusion, 3 mm, finish clear passivated; with lateral grooves for EMC stainless steel gasket; rear hood cannot be used simultaneously</p>	 <p>Die-cast Al profile, powder-coated, RAL 9006; load-carrying capacity 30 kg, fixing material kit with Screw safety lacquer</p>
Height U	Depth mm		PU 10 pieces	PU 10 pieces	PU 1 pair	PU 1 kit
3	175	24568-145	<b>21101-853</b>	<b>21102-853</b>	24566-199	24566-010
3	235	24568-147				
3	275	24568-143				
3	277.75	24568-144				
3	295	24568-149				
3	355	24568-151				
6	175	24568-445	<b>21101-855</b>	<b>21102-855</b>	24566-499	24566-010
6	235	24568-447				
6	275	24568-443				
6	277.75	24568-444				
6	295	24568-449				
6	355	24568-451				
<b>CompactPCI Corner profile</b>						
3	275	24568-143	<b>21101-853</b>	<b>21102-853</b>	24566-197	24566-010
6	275	24568-443	<b>21101-855</b>	<b>21102-855</b>	24566-497	

Fixing material kits see page 6.103

#### EMC gasket stainless steel

- Easy mounting by clipping the gasket onto the right front panel bracket
- Temperature Range: -200 bis +160°C



- 1 kit, EMC stainless steel gasket, for U-shaped front panel, 3U, 10x
- 1 kit, EMC stainless steel gasket, for U-shaped front panel, 3U, 100x
- 1 kit, EMC stainless steel gasket, for U-shaped front panel, 6U, 10x
- 1 kit, EMC stainless steel gasket, for U-shaped front panel, 6U, 100x

**21102-105**  
**21102-106**  
**21102-107**  
**21102-108**

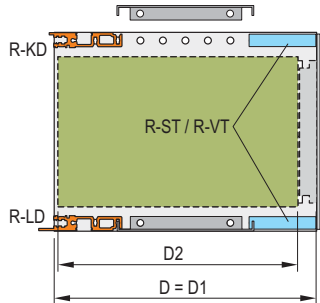
#### SIDE PANEL, TYPE R

- For high mechanical demands up to 25 g (vibration resistance, shock and vibration requirements to e.g. IEC 61587-DL 3)
- 19" bracket is fixed firmly to side panel (tox-cold welded)
- Height 3 U and 6 U
- Depths 175, 235, 275, 277.75, 295 and 355 mm
- EMC shielding concept for front/rear with EMC textile gasket
- Other dimensions on request

# Subracks – EuropacPRO Rugged

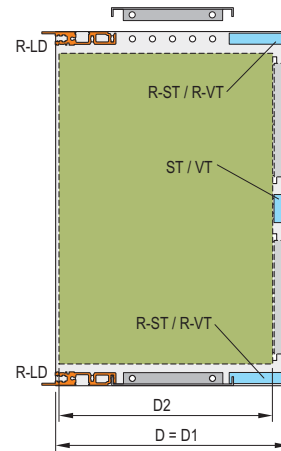
## MOUNTING POSITION OF HORIZONTAL RAIL/CENTRAL RAILS

3 U (board depth 160, 220, 280 mm)



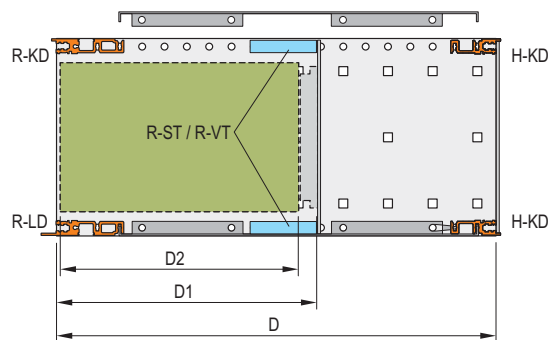
06112061

6 U (board depth 160, 220, 280 mm)



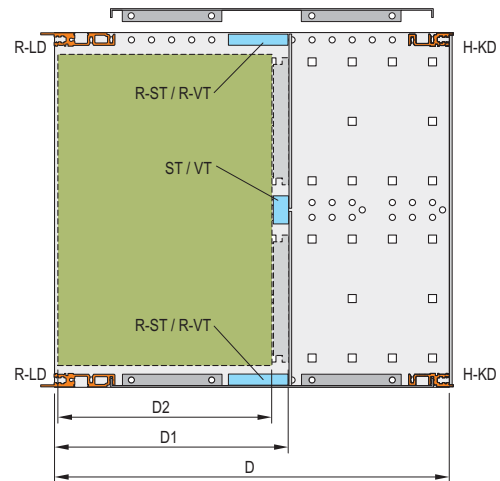
06112062

3 U (board depth 160, 220, 280 mm)



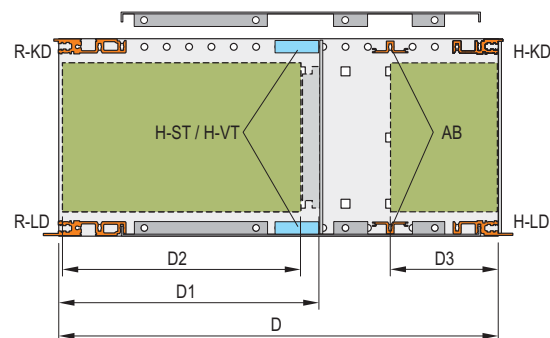
06112063

6 U (board depth 160, 220, 280 mm)



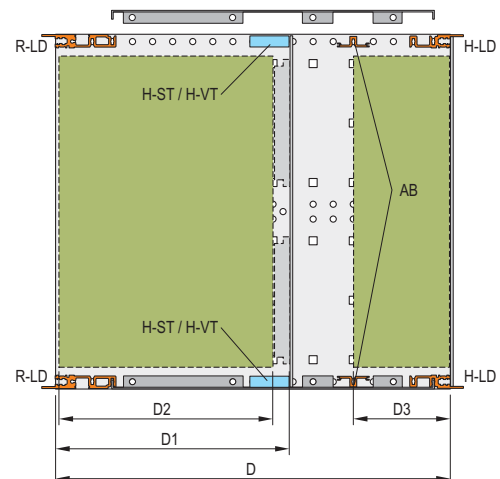
06112064

3 U (for CompactPCI/VME64x applications)



06112065

6 U (for CompactPCI/VME64x applications)



06112066

### Horizontal rails

R-ST



06112070

R-VT



06112071

H-ST



06112072

H-VT



06112073

ST



06112074

VT



06112075



# Subracks – EuropacPRO Rugged

## FRONT HORIZONTAL RAILS

### ORDER INFORMATION

		With long lip for insertion/ extraction of CompactPCI and VME64x boards	With long lip for insertion/ extraction of CompactPCI and VME64x boards	With short lip	With short lip
 <p>With HP markings from 28 HP, Al extrusion, anodised finish, conductive contact surface</p> <p>bza44980</p>		<p>"rugged" Type R-LD long lip</p>  <p>06112004</p> <p>Al extrusion, anodised finish, conductive contact surface, with HP markings</p>	<p>"heavy" Type H-LD long lip</p>  <p>06197009</p> <p>Al extrusion, anodised finish, conductive contact surface, with HP markings</p>	<p>"rugged" Type R-KD short lip</p>  <p>06112013</p> <p>Al extrusion, anodised finish, conductive contact surface, with HP markings</p>	<p>"heavy" Type H-KD short lip</p>  <p>06197008</p> <p>Al extrusion, anodised finish, conductive contact surface, with HP markings</p>
Usable length HP	Length mm	1 piece (SPQ 10) <sup>1)</sup>	1 piece (SPQ 10) <sup>1)</sup>	1 piece (SPQ 10) <sup>1)</sup>	1 piece (SPQ 10) <sup>1)</sup>
20	106.68	34566-320	<b>34560-320</b>	34566-220	<b>34560-220</b>
28	147.32	34566-328	<b>34560-328</b>	34566-228	<b>34560-228</b>
40	208.28	34566-340	<b>34560-340</b>	34566-240	<b>34560-240</b>
42	218.44	34566-342	<b>34560-342</b>	34566-242	<b>34560-242</b>
63	325.12	34566-363	<b>34560-363</b>	34566-263	<b>34560-263</b>
84	431.80	34566-384	<b>34560-384</b>	34566-284	<b>34560-284</b>
-	1000	34566-301	<b>34560-301</b>	34566-201	<b>34560-201</b>
<p>Cover strips to cover the horizontal rail perforations Al, untreated, 0.8 mm, length 431.5 mm, 1 piece (SPQ 10)</p> 		<b>34566-184</b>	-	<b>34566-184</b>	-
Threaded inserts see page		6.104	6.104	6.104	6.104
Fixing material kits see page		6.103	6.103	6.103	6.103

1) SPQ (standard pack quantity): Part number includes 1 piece, but delivery is exclusively made in standard pack quantity (SPQ);  
please order at least the SPQ quantity or a multiple  
"heavy" load > 7.5 kg; "rugged" load > 15 kg;

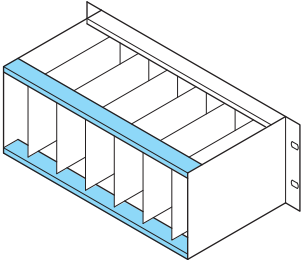






### NOTE

- 1000 mm version without M4 thread to front, without printing and without notch for 19"-bracket
- EMC gasket see page 6.56
- For further horizontal rails see page 6.29

# Subracks – EuropacPRO Rugged

## REAR HORIZONTAL RAILS

### ORDER INFORMATION

		For indirect backplane fixing with insulation strip		For direct backplane fixing		For direct fixing of connectors in accordance with EN 60603-2 (DIN 41612)
 <p>06105074</p> <p>With HP markings from 28 HP, Al extrusion, anodised finish, conductive contact surface</p>		 <p>04400001</p> <p>"rugged" Type R-ST Standard</p>  <p>06112005</p> <p>Al extrusion, anodised finish, conductive contact surface, with HP markings</p>		 <p>04400002</p> <p>"rugged" Type R-VT recessed installation</p>  <p>06112006</p> <p>Al extrusion, anodised finish, conductive contact surface, with HP markings</p>		 <p>04400003</p> <p>"heavy" Type H-MZ with Z-rail</p>  <p>06197013</p> <p>Al extrusion, anodised finish, conductive contact surface, with HP markings</p>
Usable length HP	Length mm	1 piece (SPQ 10) <sup>1)</sup>	1 piece (SPQ 10) <sup>1)</sup>	1 piece (SPQ 10) <sup>1)</sup>	1 piece (SPQ 10) <sup>1)</sup>	1 piece (SPQ 10) <sup>1)</sup>
20	106.68	34566-520	<b>34560-520</b>	34566-720	<b>34560-720</b>	<b>34560-920</b>
28	147.32	34566-528	<b>34560-528</b>	34566-728	<b>34560-728</b>	<b>34560-928</b>
40	208.28	34566-540	<b>34560-540</b>	34566-740	<b>34560-740</b>	<b>34560-940</b>
42	218.44	34566-542	<b>34560-542</b>	34566-742	<b>34560-742</b>	<b>34560-942</b>
63	325.12	34566-563	<b>34560-563</b>	34566-763	<b>34560-763</b>	<b>34560-963</b>
84	431.80	34566-584	<b>34560-584</b>	34566-784	<b>34560-784</b>	<b>34560-984</b>
–	1000	34566-501	<b>34560-501</b>	34566-701	<b>34560-701</b>	–
Insulation strips see page		6.104	6.104	–	–	–
Threaded inserts see page		6.104	6.104	6.104	6.104	6.104
Fixing material kits see page		6.103	6.103	6.103	6.103	6.103

1) SPQ (standard pack quantity): Part number includes 1 piece, but delivery is exclusively made in standard pack quantity (SPQ); please order at least the SPQ quantity or a multiple  
 "heavy" load > 7.5 kg; "rugged" load > 15 kg;

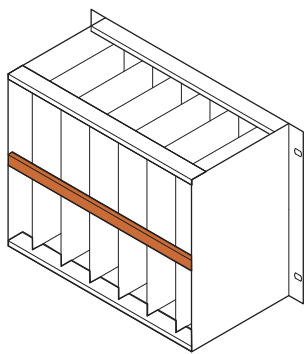






### NOTE

- 1000 mm version without M4 thread to front, without printing and without notch for 19"-bracket
- EMC gasket see page 6.56
- For further horizontal rails see page 6.29

# Subracks – EuropacPRO Rugged

## REAR HORIZONTAL RAILS, CENTRE, FOR 6 U

### ORDER INFORMATION

		For indirect backplane fixing with insulation strip	For direct backplane fixing	For direct fixing of connectors in accordance with EN 60603-2 (DIN 41612)
 <p>06108090</p>		 <p>04400001</p> <p>Type ST</p>  <p>06197016</p> <p>Al extrusion, finish anodised, conductive contact surface; without markings</p>	 <p>04400002</p> <p>Type VT</p>  <p>06197017</p> <p>Al extrusion, finish anodised, conductive contact surface; without markings</p>	 <p>04400003</p> <p>Type MZ</p>  <p>06197018</p> <p>Al extrusion, finish anodised, conductive contact surface; without markings</p>
Usable length HP	Length mm	1 piece (SPQ 10) <sup>1)</sup>	1 piece (SPQ 10) <sup>1)</sup>	1 piece (SPQ 10) <sup>1)</sup>
20	106.68	<b>34561-020</b>	<b>34561-120</b>	<b>34561-220</b>
28	147.32	<b>34561-028</b>	<b>34561-128</b>	<b>34561-228</b>
40	208.28	<b>34561-040</b>	<b>34561-140</b>	<b>34561-240</b>
42	218.44	<b>34561-042</b>	<b>34561-142</b>	<b>34561-242</b>
63	325.12	<b>34561-063</b>	<b>34561-163</b>	<b>34561-263</b>
84	431.80	<b>34561-084</b>	<b>34561-184</b>	<b>34561-284</b>
–	1000	<b>34561-001</b>	<b>34561-101</b>	<b>34561-201</b>
Insulation strips see page		6.104	–	–
Threaded inserts see page		6.104	6.104	6.104
Fixing material kits see page		6.103	6.103	6.103

1) SPQ (standard pack quantity): Part number includes 1 piece, but delivery is exclusively made in standard pack quantity (SPQ);  
please order at least the SPQ quantity or a multiple  
"heavy" load > 7.5 kg; "rugged" load > 15 kg;

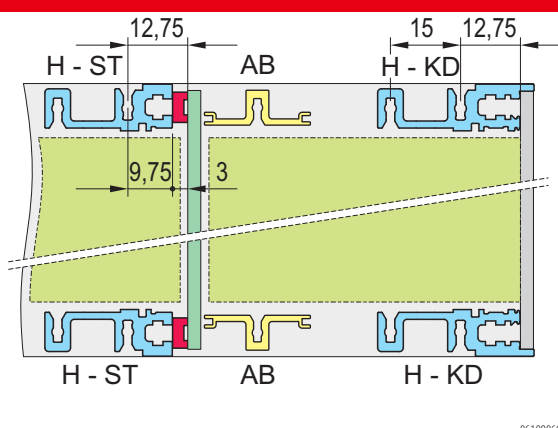




### NOTE

- All horizontal rails without printed markings
- 1000 mm version without M4 thread to front

# Subracks – EuropacPRO Rugged

## HORIZONTAL RAILS (TYPE AB) FOR REAR I/O APPLICATIONS

### ORDER INFORMATION

		For CompactPCI in rear I/O area	For CompactPCI in rear I/O area with notch
 <p>06108069</p>		 <p>06108009</p> <p>Type AB</p>  <p>06197019</p>	 <p>Typ AB, with notch</p> 
<p>Al extrusion, finish anodised, conductive contact surface; horizontal rail type AB (AB = support) is required to fix the guide rails for the 80 mm rear I/O boards; without markings</p>		<p>Al extrusion, finish anodised, conductive contact surface; horizontal rail type AB (AB = support) is required to fix the guide rails for the 80 mm rear I/O boards; without markings</p>	
Usable length	Length	1 piece (SPQ 10) <sup>1)</sup>	1 piece (SPQ 10) <sup>1)</sup>
HP	mm		
20	106.68	<b>34561-520</b>	
28	147.32	<b>34561-528</b>	
40	208.28	<b>34561-540</b>	
42	218.44	<b>34561-542</b>	<b>34579-042</b>
63	325.12	<b>34561-563</b>	
84	431.80	<b>34561-584</b>	<b>34579-040</b>
–	1000	<b>34561-501</b>	
Fixing material kits see page		6.103	6.103

1) SPQ (standard pack quantity): Part number includes 1 piece, but delivery is exclusively made in standard pack quantity (SPQ); please order at least the SPQ quantity or a multiple  
 "heavy" load > 7.5 kg; "rugged" load > 15 kg;

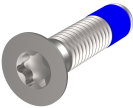


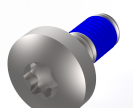
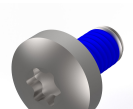
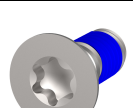
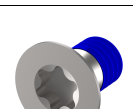

### NOTE

- All horizontal rails without printed markings
- 1000 mm version without M4 thread in end



# Subracks – EuropacPRO Rugged

## SCREWS OVERVIEW

	Description	Material	Dimension	Qty/PU	Part no.
 137813741	Countersunk screw, with thread locking compound <b>Application:</b> Rugged side panel to horizontal rail; for area of tox-cold welded brackets and corner profiles except when guide rail is fitted to slot 1	Stainless steel	M4 x 18	100	24566-100
 137813739	Countersunk screw, with thread locking compound <b>Application:</b> Rugged side panel to horizontal rail; for area of tox-cold welded brackets and corner profiles if guide rail is fitted to slot 1	Stainless steel	M4 x 14	100	24566-101
 137813734	Panhead screw, with thread locking compound <b>Application:</b> Rugged side panel to horizontal rail; not for area of tox-cold welded brackets and corner profiles except when guide rail is fitted to slot 1	Stainless steel	M4 x 14	100	24566-102
 137813736	Panhead screw, with thread locking compound <b>Application:</b> Rugged side panel to horizontal rail; not for area of tox-cold welded brackets and corner profiles if guide rail is fitted to slot 1	Stainless steel	M4 x 10	100	24566-103
 137813737	Panhead screw, with thread locking compound <b>Application:</b> Rugged side panel to cover plate, not for area of tox-cold welded brackets and corner profiles	Stainless steel	M4 x 8	100	24566-104
 137813742	Torx countersunk screw , with thread locking compound <b>Application:</b> : Rugged side panel to cover plate, for area of tox-cold welded brackets and corner profiles	Stainless steel	M4 x 10	100	24566-106
 137813740	Torx countersunk screw, with thread locking compound <b>Application:</b> Rugged side panel to corner profile; in EMC-shielded subracks and to increase robustness	Stainless steel	M4 x 7	100	24566-105
 137813738	Square nut <b>Application:</b> Rugged side panel to corner profile; in EMC-shielded subracks and to increase robustness	Zinc-plated steel	M4	100	<b>24560-140</b>

19" Dual fixing material kit, page 6.104

**24566-109**
**NOTE**

- Stainless steel screws; with organic surface layer (silver)

# Subracks – EuropacPRO Rugged

## THREADED INSERTS, PERFORATED STRIPS, INSULATION STRIPS

### ORDER INFORMATION

	Threaded insert		Perforated strip		Insulation strip		
	M2.5	M3	Item 1				
	<p>required for fixing the front panel to the horizontal rail; St, zinc-plated; use collar screw 12.3 mm, see page 6.66</p>		<p>for centring shielded plug-in units, Al, 1 mm, please order grub screw separately</p>		<p>for insulated mounting of backplane; PC, UL 94 V-0, grey</p>		
Usable length HP	Threaded insert Length mm	1 piece (SPQ 10) <sup>1)</sup>	1 piece (SPQ 10) <sup>1)</sup>	Perforated strip Length mm	1 piece (SPQ 10) <sup>1)</sup>	Insulation strip Length mm	PU 10 pieces
20	106.18	<b>34561-320</b>	–	106.48	<b>30845-189</b>	101.50	<b>24560-820</b>
28	146.82	<b>34561-328</b>	–	147.12	<b>30845-197</b>	144.20	<b>24560-828</b>
40	207.78	<b>34561-340</b>	–	208.08	<b>30845-209</b>	205.12	<b>24560-840</b>
42	217.94	<b>34561-342</b>	–	218.24	<b>30845-211</b>	210.40	<b>24560-842</b>
63	324.62	<b>34561-363</b>	–	324.92	<b>30845-232</b>	316.88	<b>24560-863</b>
84	431.30	<b>34561-384</b>	<b>34561-484</b>	431.60	<b>30845-253</b>	428.64	<b>24560-884</b>
196	1000.26	<b>34565-196</b>	–	1000.26	<b>34565-396</b>		–

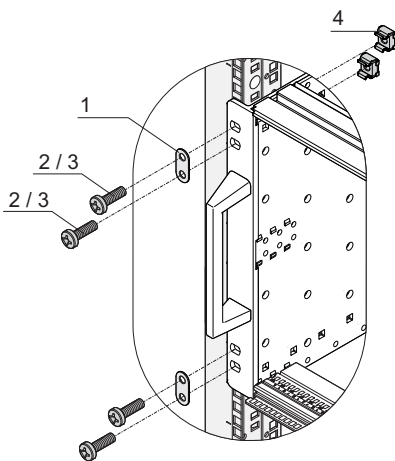
### Accessories

Grub screw M2.5 x 8, PU 100 pieces	<b>21100-276</b>	–	–	–	–	–	–
Grub screw M2.5 x 9, Torx 8, PU 100 pieces	–	–	–	–	<b>21102-980</b>	–	–
Grub screw M3 x 8, PU 100 pieces	–	<b>21100-646</b>	–	–	–	–	–

1) SPQ (standard pack quantity): Part number includes 1 piece, but delivery is exclusively made in standard pack quantity (SPQ); please order at least the SPQ quantity or a multiple

Part no. includes one packing unit (PU); delivery is exclusively made in PU

### 19" DUAL FIXING MATERIALS KIT



06113052

- For fixing a subrack with dual fixing holes to 19" mounting brackets (e.g. rugged and railroad subracks)

#### DELIVERY COMPRISES

Item	Qty	Description
1	4	Double washer, stainless steel
2	8	M6 x 16 (Torx 30 drive) + Nomel washer
3	8	M6 x 16 (Pozidrive) + Nomel washer
4	8	Cage nut KM6
1	4	User manual


#### ORDER INFORMATION

Description	Part no.
19" dual fixing materials kit	<b>24566-109</b>

# Subracks – EuropacPRO Rugged

## ADAPTOR TO ACCOMMODATE CONDUCTION COOLED ASSEMBLIES (CCA)


### ORDER INFORMATION

Adaptor to accommodate conduction cooled assemblies (CCA) in subracks		
		
<p>Al die-cast, silver, can be screw-fixed, 0.8" pitch; suitable for heavy and rugged horizontal rails, incl. fixing material kit</p>		
Board length mm	VPX PU 1 pair	CompactPCI PU 1 pair
160	24566-004	24566-005

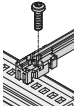
2) Part no. includes one packing unit (PU); delivery is exclusively made in PU

## GUIDE RAILS FOR PLUG-IN UNITS AND FRAME TYPE PLUG-IN UNITS, ONE-PIECE, GROOVE WIDTH 2 MM AND 2.5 MM

### ORDER INFORMATION

			For plug-in units and frame type plug-in units "Standard"	
<b>Assembly</b> Plastic guide rail - can be clipped into Al extruded horizontal rails - can be clipped into 1.5 mm thick plates  <b>Storage temperature</b> from -40 °C ... 130 °C				
			up to 220 mm length, PC, UL 94 V-0; from 280 mm length, multi-piece, end piece PC, UL 94 V-0, central section Al extrusion	PC, UL 94 V-0
Board length mm	Groove width mm	Colour mm	PU 10 pieces <sup>2)</sup>	1 piece (SPQ 50) <sup>1)</sup>
70	2	red	–	<b>34568-230</b>
70	2	grey	–	–
160	2	red	<b>24568-361</b>	<b>64568-001</b>
220	2	red	<b>24568-362</b>	<b>64568-002</b>
280	2	red	<b>24568-379</b>	–
340	2	red	<b>24568-380</b>	–
160	2.5	red	–	<b>64568-096</b>
220	2.5	red	–	<b>64568-098</b>

### Accessories

Retention screw, PU 100 pieces; Torque max. 0.2 Nm		<b>24560-141</b>	<b>24560-141</b>
ESD clip, PU 50 pieces		<b>24560-255</b>	<b>24560-255</b>

1) SPQ (standard pack quantity): Part number includes 1 piece, but delivery is exclusively made in standard pack quantity (SPQ); please order at least the SPQ quantity or a multiple

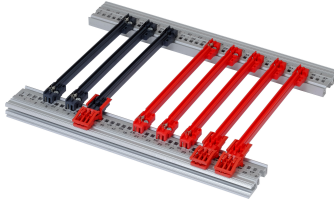

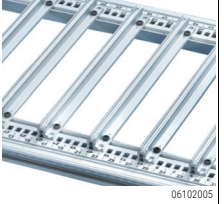
2) Part no. includes one packing unit (PU); delivery is exclusively made in PU

Description of accessories see from page 6.107

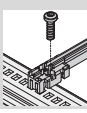



# Subracks – EuropacPRO

## GUIDE RAILS TYPE "ACCESSORY", ONE-PIECE, GROOVE WIDTH 2 MM AND 2.5 MM

### ORDER INFORMATION

			Guide railsType <b>Accessory</b>		Guide railsType <b>Accessory</b> strengthened		for heavy modules, Al extrusion, silver, robust version
<b>Assembly</b> - can be clipped into Al extruded horizontal rails - can be clipped into 1.5 mm thick plates  <b>Storage temperature</b> from -40 °C ... +130 °C  <b>Colors of Plastic Material</b> red: RAL 3000 grey: RAL 7016							
			up to 280 mm length, PC, UL 94 V-0; > 280 mm length, multi-piece, end piece PC, UL 94 V-0, middle section Al extrusion		PC, UL 94 V-0, red; support beam of guide rails adds to strengthening		Al extrusion; is screwed to horizontal rail "heavy" with retention screws
Board length mm	Groove width mm	Colour	PU 10 pieces <sup>2)</sup>	1 piece (SPQ 50)	PU 10 pairs <sup>2)</sup>	1 piece (SPQ 50)	1 piece (SPQ 10) <sup>1)</sup>
100	2	red	-	<b>64568-082</b>	-	-	-
160	2	red	<b>24568-363</b>	<b>64568-005</b>	<b>64568-076</b>	-	-
160	2	grey/silver	-	<b>64568-055</b>	-	-	<b>34562-881</b>
220	2	red	<b>24568-364</b>	<b>64568-006</b>	<b>64568-078</b>	-	-
220	2	grey/silver	-	<b>64568-166</b>	-	-	<b>34562-882</b>
280	2	red/silver	<b>24568-381</b>	-	<b>64568-080</b>	-	<b>34562-883</b>
340	2	red/silver	<b>24568-382</b>	-	-	-	<b>34562-884</b>
400	2	red/silver	-	-	-	-	<b>34562-885</b>
160	2.5	red/silver	-	<b>64568-100</b>	<b>64568-118</b>	-	<b>34564-881</b>
220	2.5	red/silver	-	<b>64568-102</b>	<b>64568-119</b>	-	<b>34564-882</b>
280	2.5	red/silver	-	-	<b>64568-120</b>	-	<b>34564-883</b>
340	2.5	silver	-	-	-	-	<b>34564-884</b>
400	2.5	silver	-	-	-	-	<b>34564-885</b>

### Accessories

Retention screw, PU 100 pieces; torque max. 0.2 Nm		<b>24560-141</b>		<b>24560-141</b>		<b>24560-141</b>		<b>24560-157</b>
ESD clip, PU 50 pieces		<b>24560-255</b>		<b>24560-255</b>		<b>24560-255</b>		-
Board locking C, red, PU 10 pieces		<b>24560-377</b>		<b>24560-377</b>		<b>24560-377</b>		-
Board handle C, red, PU 10 pieces		<b>24560-378</b>		<b>24560-378</b>		<b>24560-378</b>		-
Identification strips for board handle, red, PU 1 sheet = 438 pieces		<b>60817-228</b>		<b>60817-228</b>		<b>60817-228</b>		-
Coding see page				6.43				-

1) SPQ (standard pack quantity): Part number includes 1 piece, but delivery is exclusively made in standard pack quantity (SPQ); please order at least the SPQ quantity or a multiple

2) Part no. includes one packing unit (PU); delivery is exclusively made in PU

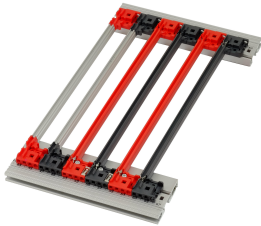
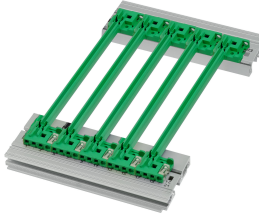
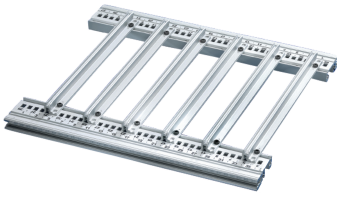
Description of accessories see from page 6.43



# Subracks – EuropacPRO Rugged

## GUIDE RAILS FOR HEAVY ASSEMBLIES, COMPACTPCI, VME64X

### ORDER INFORMATION

			For CompactPCI, VME64x with coding In accordance with IEEE 1101.10 and IEC 60297-3-103		Offset 0.1" for power supply units in accordance with IEEE 1101.10 and IEC 60297-3-103	For heavy modules, Al extrusion, silver, robust version
<b>Assembly</b> - can be clipped into Al extruded horizontal rails - can be clipped into 1.5 mm thick plates  <b>Storage temperature</b> from -40 °C ... 130 °C			 124624426 <b>One-piece</b> for groove width 2 mm, PC, UL 94 V-0; <b>Multi-piece</b> for groove width 2.5 mm, end piece PC, UL 94 V-0, middle section Al extrusion		 124675998 <b>One-piece</b> for groove width 2 mm, PC, UL 94 V-0; For installation of power supplies in CompactPCI systems or plug-in units with SMD placement	 107888345 Al extrusion; is screwed to horizontal rail "heavy" with retention screws
Board length	Groove width	Colour	PU 10 pieces. <sup>2)</sup>		PU 10 pieces. <sup>2)</sup>	1 piece (SPQ 10) <sup>1)</sup>
mm	mm	mm				
70	2	red	<b>24568-357</b>		-	-
70	2	grey	<b>24568-360</b>		-	-
160	2	red	<b>24568-356</b>		-	-
160	2	grey	<b>24568-358</b>		-	<b>34562-881</b>
160	2	green	-		<b>24568-359</b>	-
220	2	grey	-		-	<b>34562-882</b>
220	2	green	-		-	<b>34562-883</b>
160	2.5	grey	-		-	<b>34564-881</b>
220	2.5	red	-		-	-
220	2.5	grey	-		-	<b>34564-882</b>
280	2.5	red	<b>24568-331</b>		-	-
280	2.5	grey	<b>24568-341</b>		-	<b>34564-883</b>

### Accessories

ESD clips, PU 50 pieces	<b>24560-255</b>	-	-
ESD clips, for alignment pin, PU 50 pieces	<b>24560-256</b>	<b>24560-256</b>	-
Retention screw, PU 100 pcs.; torque max. 0.2 Nm	<b>24560-141</b>	<b>24560-141</b>	<b>24560-157</b>
Coding peg, PU 100 pieces	<b>20817-501</b>	<b>20817-501</b>	-

1) SPQ (standard pack quantity): Order number includes 1 piece, but delivery is exclusively made in standard pack quantity (SPQ); please order at least the SPQ quantity or a multiple thereof

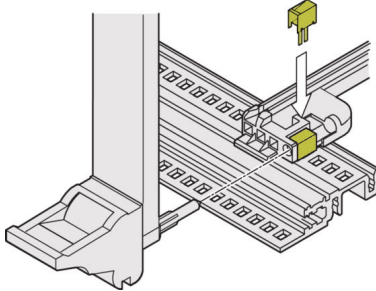
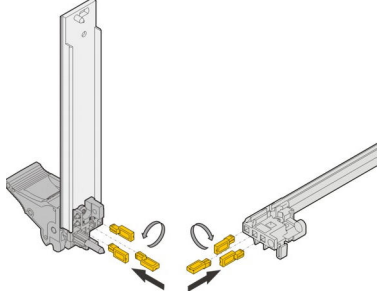
2) Order number includes one packaging unit (PU); delivery is exclusively made in PU

Description of accessories see from page 6.107

# Subracks – EuropacPRO Rugged

## GUIDE RAIL ACCESSORIES

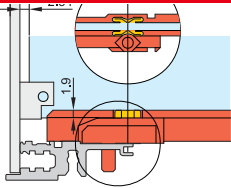
### ORDER INFORMATION

		ESD clips, CompactPCI/VME 64 alignment pin for guide rails	Coding for plug-in components Keying/coding for CompactPCI, VME64x handles to IEEE 1011.10 and IEC 60297-3-103
		 <p style="text-align: right;">108230497</p> <p>Spring steel, tin-plated, ESD clip, for alignment pin in accordance with IEEE; can be plugged into the guide rails with coding and into the keying/coding block; provides conductive contact between the guide pin of the inserter/extractor handle (IEL or IET handle) and the horizontal rail</p>	 <p style="text-align: right;">135276437</p> <p>Keying/coding peg, PC, UL 94 V-0, RAL 7035: The keying/coding pegs prevent plug-in units to be mounted in wrong slots. They are inserted in the chambers of the codable card guides as well as in the insertion/extraction handles IEL or IET (4 possible positions), resulting in 64 codings per card guide; when coding the upper and lower card guide, 4096 codings will result.</p>
<b>Assembly</b>		. PU 50 pieces. <sup>2)</sup>	
At the top/ at the bottom		<b>24560-256</b>	<b>20817-501</b>

2) Part no. includes one packing unit (PU); delivery is exclusively made in PU

## GUIDE RAIL ACCESSORIES

### ORDER INFORMATION

		ESD clip for guide rails
		 <p style="text-align: right;">04503050</p> <p>Spring steel, tin-plated, ensures conductive contact between board and horizontal rail, on both the solder side and the component side</p>
<b>Assembly</b>		Colour silver PU 50 pieces
above/below		<b>24560-255</b>

# Subracks – EuropacPRO Rugged

## COVER PLATES FOR BOLTING TO RUGGED SIDE PANEL

### ORDER INFORMATION

			Cover plate for bolting to side panel	Stainless steel EMC gasket, between cover plate and horizontal rail	
			<p>Perforated Al plate, 1.2 mm, hole diameter 4.0 mm, passivated, perforation ratio 58 %, incl. retention screws;</p> <p>4 stainless steel EMC contact strips per subrack are required for shielding, please order separately</p>	<p>Stainless steel EMC gasket, clips into the horizontal rail and forms the contact with the cover plate; suitable for all horizontal rails</p>	
Width HP	Depth D mm	Application	PU 1 pair	PU 10 pieces	PU 100 pieces
84	175	160 mm board depth (D2)	24568-004	<b>24560-245</b>	<b>24560-246</b>
84	235	220 mm board depth (D2)	24568-008		
84	295	280 mm board depth (D2)	24568-012		
84	275	160 mm board depth (D2) CompactPCI, 80 mm rear I/O	24568-032		
84	277.75	160 mm board depth (D2) VME, VME64, 80 mm rear I/O	24568-036		
84	295	160 mm board depth (D2), approx. 120 mm clearance behind backplane	24568-016		
84	355	220 mm board depth (D2), approx. 120 mm clearance behind backplane	24568-020		

### Accessories

<b>Cover Plate Fixing Kit</b> <p>Cover plate latch, additional securing for rugged cover plate, PU 4 pieces</p>	24566-007	-	-
Assembly tool, to fit EMC gasket, stainless steel, for horizontal rails, 1 piece 	-	<b>24560-271</b>	<b>24560-271</b>

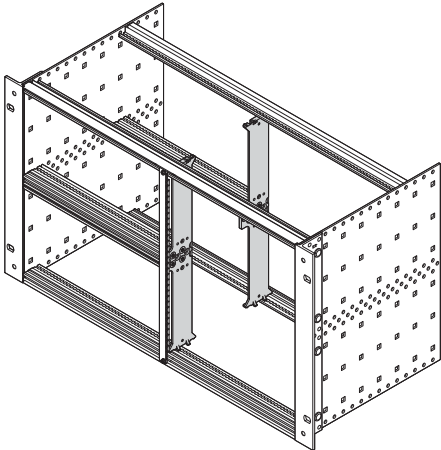
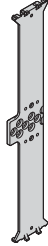
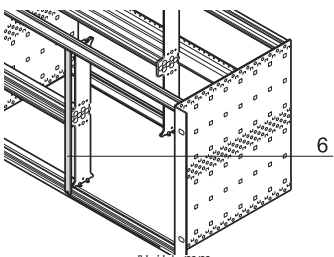
### NOTE

- Cover plates without perforation available on request
- Mounting position of horizontal rails, see page 6.98

# Subracks – EuropacPRO Rugged

## COMBINED MOUNTING (6 U AND 2 X 3 U ONE ABOVE THE OTHER)

### ORDER INFORMATION

	Rugged struts for combined mounting	Front panel for textile EMC gasket, 6 U, 2 HP . Item. 6.
 <p style="text-align: right; font-size: small;">06112076</p>	 <p style="text-align: center;">6 U, die-cast zinc; fixing material kit</p> <p style="text-align: right; font-size: small;">06112077</p>	 <p style="text-align: right; font-size: small;">bpa46550</p> <p style="text-align: center;">Al, 2.5 mm, U-profile with notch, 6 U, 2 HP</p>
<b>Height</b> U 6	PU 2 pieces 24566-400	1 piece (SPQ 5) <sup>1)</sup> <b>30849-140</b>

### Accessories

Pozidrive/slotted collar screw M2.5 x 12.3, St, nickel-plated, PU 100 pieces	-	<b>21101-101</b>
Pozidrive/slotted collar screw M2.5, black, zinc-plated, PU 100 pieces	-	<b>21101-102</b>
Washer 2.7 x 5 x 1, PA 6, PU 100 pieces	-	<b>21101-121</b>
Textile gasket, core: foam, sleeve: textile cladding with CuNi coating, UL 94 V-0, PU 10 pieces	-	<b>21101-855</b>

### NOTE

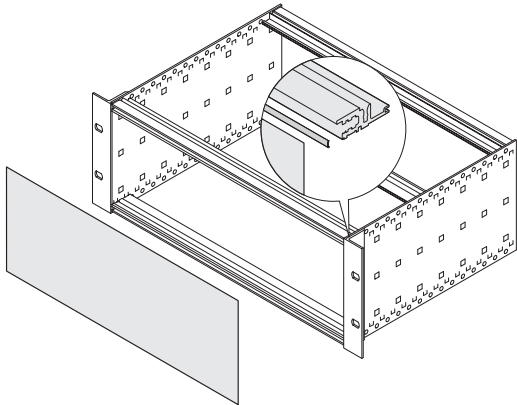
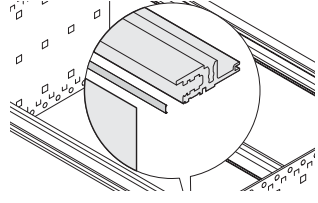
- Rugged horizontal rails in various lengths, see page 6.99



# Subracks – EuropacPRO Rugged

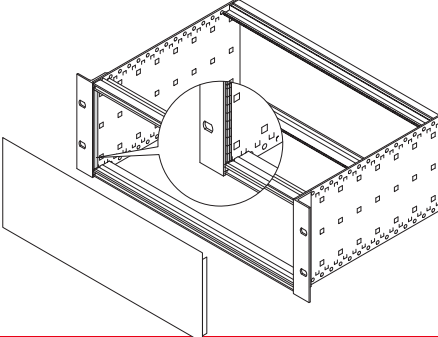
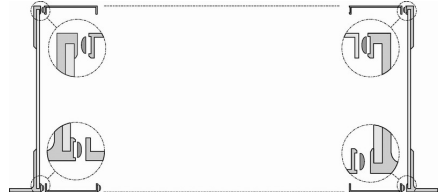
## EMC GASKETS BETWEEN FRONT/REAR PANEL AND HORIZONTAL RAIL

### ORDER INFORMATION

		Stainless steel EMC gasket between front panel/rear panel and horizontal rail	
			
		stainless steel; for front and rear horizontal rails (type VT)	
		06102053	
Width HP	Depth mm	PU 10 pieces	PU 100 pieces
28	131.8	<b>24560-229</b>	–
42	202.9	<b>24560-231</b>	–
63	304.5	<b>24560-233</b>	–
84	416.6	<b>24560-235</b>	<b>24560-236</b>

## EMC GASKETS BETWEEN FRONT PANEL AND 19" BRACKET/CORNER PROFILE

### ORDER INFORMATION

		Textile EMC gasket between front panel/rear panel and 19" bracket/corner profile	
			
		Temperature. range -40°C to +70°C	
		textile gasket, core: foam, sleeve: textile cladding with CuNi coating,UL 94 V-0,	
		06105077	
Height U	Depth mm	PU 10 pieces	PU 100 pieces
3	97.5	<b>21101-853</b>	<b>21101-854</b>
6	232.5	<b>21101-855</b>	<b>21101-856</b>
		Temperature. range -40°C to +85°C	
		textile gasket, core: foam, sleeve: textile cladding with CuNi coating,UL 94 V-0,	
		06105077	
Height U	Depth mm	PU 10 pieces	PU 100 pieces
3	97.5	<b>21102-853</b>	<b>21102-854</b>
6	232.5	<b>21102-855</b>	<b>21102-856</b>
		Temperature. range -200°C to +160°C	
		stainless steel gasket Easy mounting by clipping the gasket onto the right front panel bracket	
		06105077	
Height U	Depth mm	PU 10 pieces	PU 100 pieces
3	97.5	<b>21102-105</b>	<b>21102-106</b>
6	232.5	<b>21102-107</b>	<b>21102-108</b>

# Subracks – EuropacPRO Rugged

## EMC GASKET BETWEEN HORIZONTAL RAIL AND COVER PLATE

### ORDER INFORMATION

		Stainless steel EMC gasket, between cover plate and horizontal rail	
		<p>stainless steel EMC gasket, clips into the horizontal rail and forms the contact with the cover plate; suitable for all horizontal rails</p>	
Width HP	Depth mm	PU 10 pieces	PU 100 pieces
42	202.9	<b>24560-241</b>	-
84	416.6	<b>24560-245</b>	<b>24560-246</b>
Assembly tool, to fit EMC gasket, stainless steel, for horizontal rails, 1 piece		<b>24560-271</b>	<b>24560-271</b>

## EMC GASKET BETWEEN BACKPLANE AND SIDE PANEL

### ORDER INFORMATION

		Stainless steel EMC gasket between backplane and side panel (depth-offset installation)	
		<p>2 x support profile, Al extrusion, 2 x stainless steel EMC gasket; for vertical EMC shielding between depth-offset shielded backplane and side panel: dimensions for 84 HP A = 425.8 mm, B &lt; 429.9 mm, C = 429.8 mm, D = 431.8 mm</p>	
Height U	Depth mm	PU 1 kit	
3	97.5	<b>24561-199</b>	
6	187.5	<b>24561-499</b>	
Torx countersunk screw M4 x 7, St, zinc-plated, PU 100 pieces		24566-105	
Square nut M4, St, zinc-plated, PU 100 piece		<b>24560-140</b>	

With appropriate design, the backplane can be used as shielded rear wall of the rack; in this case a rear horizontal rail (L-type VT or H-VT) must be used for deeper installation to ensure the horizontal contact.

For vertical contact the support profile can be fixed in the standard way to the europacPRO side panel (depth grid 30 mm)

# Subracks – EuropacPRO

## PLATFORM-BASED STANDARD SOLUTIONS FOR INDIVIDUAL REQUIREMENTS

Practical technology without time-consuming assembly. The modular europacPRO product platform allows a wide range of possible applications with only a few components. The intelligent design of all components results in remarkably simple and fast management in assembly and components.

### Simple assembly with europacPRO kits:



06107001

Delivered in space-saving flat packs. The threaded inserts or EMC gasket (depending on selected kit) are already pre-mounted on the horizontal rail.

Two ways of reaching your desired product:

- Kits
- Individual configuration

### Individual configuration:

	Side panel type F	19" bracket without handle holes	19" bracket with handle holes	19" bracket depth-adjustable	EMC sealing (St, stainless)	Rear angle	Side panel connection
	without 19" bracket; Al, 2 mm, pre-anodized; please order 19" bracket and corner profile separately.	with lateral grooves for EMC stainless steel gasket, Al, anodized, rear side etched, front anodized.	with lateral grooves for EMC stainless steel gasket, Al, anodized, rear side etched, front anodized, please order front handles separately, see page 6/20.	2 adaptor brackets, Al, 2 mm, equipment support rail, height 35 mm, width 64 mm, depth 7.5 mm. Pre-anodized, inserted laterally in module support or subrack, please see page 6/20.	inserted laterally into the slots of the front panel.	Al extrusion, surface steel pre-anodized with lateral grooves for EMC stainless steel sealing; rear hood cannot be secured simultaneously.	Zn die-cast, not assembly kit, for joining two by two side panels (allows one another).
Height (D)							
Depth (mm)	1 piece	PU 1 pair	PU 1 pair	PU 1 pair	PU 10 pieces	PU 1 pair	PU 4 pieces
3	275	34560-185					
3	225	34560-187					
3	275	34579-300					
3	277.75	34579-003	34560-197	34560-198	31101-705	34561-198	31101-954
3	295	34560-189					
3	300	34560-191					
3	415	34560-192					
3	475	34560-195					

06109052

You design your subrack as you wish, then receive it fully assembled via our **ServicePLUS assembly service** (even for orders of just one). We can also carry out individual modifications and cut-outs; and when time is short can do so very fast via ServicePLUS express.

## HORIZONTAL RAILS AND SIDE PANELS FOR DIFFERENT LOAD-CARRYING CLASSES



Light

06197007

Heavy

06197008

Rugged

06112004

Horizontal rails are available for three load classes:

- "light" (load up to approx. 7.5 kg)
- "heavy" (load > 7.5 kg)
- "rugged" (load 15 kg)

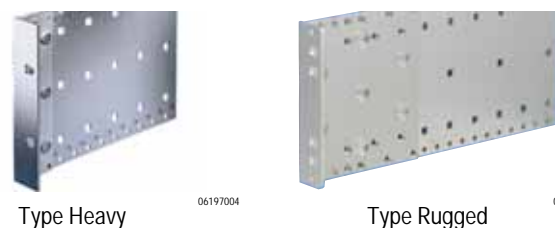


Type Light

06197002

Type Flexible

06197003



Type Heavy

06197004

Type Rugged

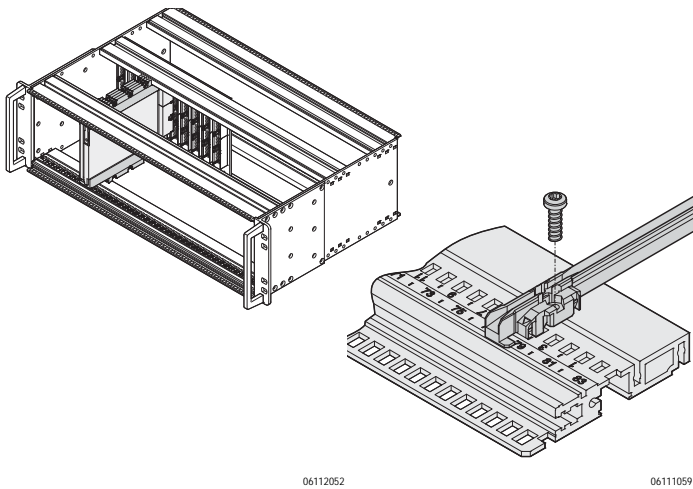
06112021

### Side panels for 4 different load classes

- Light: low-cost version with built-in 19" mounting bracket
- Flexible: with separate, depth-adjustable 19" mounting bracket
- Heavy: with integrated, tox-cold welded 19" mounting bracket, e.g. for shock and vibration environments up to 5 g
- Rugged: with integrated, tox-cold welded 19" mounting bracket and higher material thicknesses for extreme mechanical stresses, e.g. for increased shock and vibration environments up to 25 g
- The combination of the 3 horizontal rail variants with the 4 types of side panel results in an almost unlimited variety of potential applications for various market requirements

# Subracks – EuropacPRO

## GUIDE RAILS FROM PLASTIC AND ALUMINIUM PROFILES



Guide rails form the interface between the subrack mechanics and the assemblies (boards, plug-in units, frame type plug-in units, drive unit modules, ...).

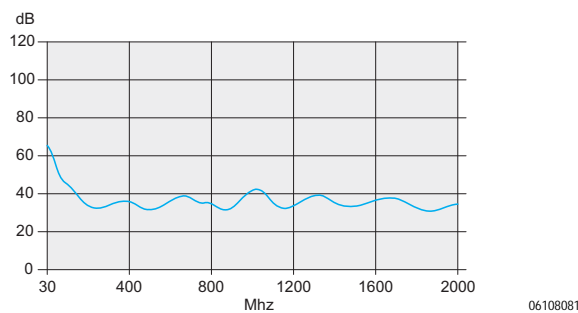
Robust snap-in fixings on the plastic rails assure a secure grip, even when exposed to vibrations. In the case of H and R-type horizontal rails the guide rails can also be bolted on. For extreme stresses, guide rails in aluminium extrusion are used.

To ensure that the wrong subassembly is not inserted into the wrong space we offer a mechanical coding to IEEE 1101.10/11 and IEC 60297-3-103.

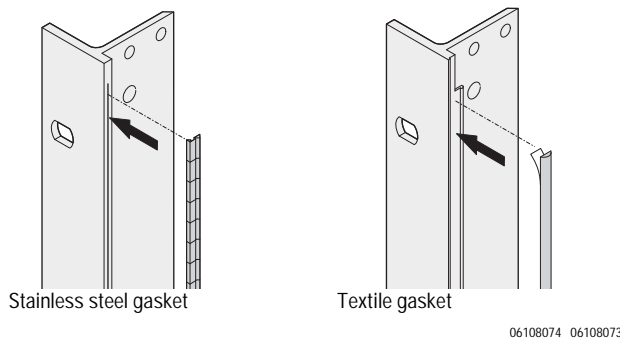
The continuous numbering on the horizontal rail (from 28 HP) and the markings on the guide rails facilitate quick fitting in the correct position.

We offer the appropriate adaptors for accommodating VPX or CompactPCI boards with strengthening frame or conduction-cooled assemblies (CCA) installed in a subrack.

## ELECTROMAGNETIC SHIELDING AND ESD



The product platform europacPRO offers a variety of off-the-shelf solutions to assure electromagnetic compatibility (EMC) and to avoid electrostatic discharge (ESD).

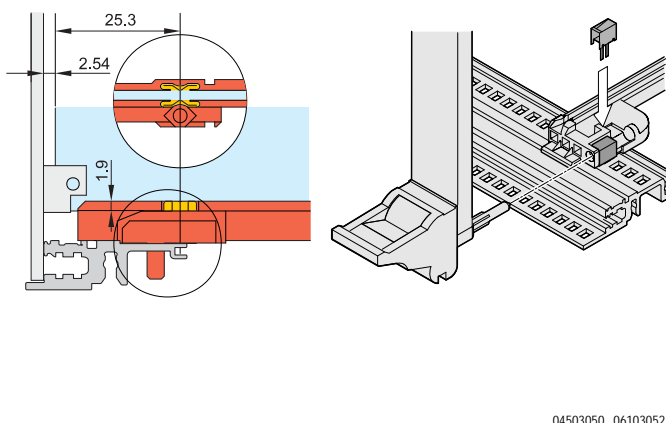


### Two shielding concepts

It can't be more secure!

Two types of shielding concepts to front/rear of the subrack allow the use all Schroff frontpanels.

The shielding at the front of the subrack is by means of stainless steel or textile EMC gaskets.



### ESD (electrostatic discharge)

To avoid electrostatic discharge when inserting PCBs, ESD contacts are clipped into the guide rails. These establish a conductive connection between PCB and subrack-earth. Under IEC 60297-3-101 two ESD areas are defined on the euroboard. The ESD clips of the guide rail of the europacPRO subrack allow the assembly of both following variants:

- ESD area (bottom and top) over the complete board length
- ESD area (bottom/top) begins at the front from 70 mm to end of board)

## **North America**

**Warwick, RI, USA**

Tel +1.401.738.1722

**San Diego, CA, USA**

Tel +1.858.740.2400

## **Europe, Middle East & India**

**Straubenhardt, Germany**

Tel +49 7082 794 0

**Betschdorf, France**

Tel +33 3 88 90 64 90

**Warsaw, Poland**

Tel +48 22 209 98 35

**Hemel Hempstead,**

**Great Britain**

Tel +44 1442 24 04 71

**Lainate, Italy**

Tel +39 02 932 714 1

**Dubai, United Arab Emirates**

Tel +971 4 82 38 666

**Bangalore, India**

Tel +91 80 6715 8900

**Istanbul, Turkey**

Tel +90 541 368 0941

## **Asia Pacific**

**Shanghai, China**

Tel +86 21 2412 6943

**Singapore**

Tel +65 6768 5800

**Shin-Yokohama, Japan**

Tel +81 45 476 0271

Our powerful portfolio of brands:

**CADDY ERICO HOFFMAN RAYCHEM SCHROFF TRACER**



[nVent.com/SCHROFF](https://www.nvent.com/SCHROFF)