

CONNECT AND PROTECT

CompactPCI

06/2023


nvent

SCHROFF

Systems – CompactPCI systems

OVERVIEW

MAIN CATALOG

- Cabinets 1
- Wall mounted cases 2
- Accessories for cabinets and wall mounted cases . . 3
- Climate control . . 4
- Electronics cases 5
- Subbracks/ 19" chassis 6
- Front panels, plug-in units 7
- Systems 8
- Power supply units 9
- Backplanes 10
- Connectors, front panel component system 11
- Appendix 12



WHAT WE UNDERSTAND TO BE A SYSTEM

We at SCHROFF regard a system as being a combination of mechanical components like a subrack or case with electronic components such as a backplane and power supply unit, a cooling unit where appropriate and a system management module.

A STRONG STANDARD RANGE

Our extensive and highly-developed standard range offers you mechanical, electronic and thermal components in an almost unlimited variety of dimensions and specifications. Simply select a complete ready system or configure your system from our standard components, online or using the catalogue, to your exact requirements.

STANDARDS/APPROVALS

- Inner and outer dimensions in accordance with:
IEC 60297-3-101 / IEEE 1101.1
IEC 60297-3-102 / IEEE 1101.10/11
IEC 60297-3-103
- Ingress protection IP 20 in accordance with IEC 60529
- EMC testing in accordance with IEC 61587-3
- In accordance with PICMG 2.0 rev. 3.0, 2.30, CPCi-S.0, PICMG 2.16 and PXI 2.3, PXISA PXI-5R 1.1



FLEXIBILITY FOR MODIFICATIONS

Often only small adjustments are needed to create the required solution from a standard product. And we have set ourselves up to offer just that. We can make modifications in accordance with your individual specifications - with our usual speed and reliability.

COMPETENT WITH NEW DEVELOPMENTS

If your requirements cannot be met with standard products or modified standard solutions, our qualified and experienced team will create a customised solution for your system. We have all the necessary development and manufacturing competencies gathered under one roof.

AREAS OF APPLICATION

- Measurement, control and instrumentation technology
- Automation technology, machine monitoring
- Aerospace
- Defence systems
- Medical technology
- Telecommunications

COMPACTPCI SUBRACK AND CASE SYSTEMS

- Standard systems to the new CompactPCI PlusIO and CompactPCI Serial standards
- Wide product portfolio of standard CompactPCI, PSB and H.110 systems and PXIe Systems
- Individual configuration within 9 working days
- Custom solutions on request



PXI / PXIe

Desktop PXI Express Chassis for one PXI Express System Controller with up to 16 HP and different numbers hybrid slots with 4 HP Width. System in accordance with IEC 60297-3-101, -102, -103; IEEE 1101.1, 1101.10/11); Backplane, conforms to PICMG rev. 3.0 and PXI-5 Rev1.1



COMPACTPCI SERIAL

CompactPCI Serial (PICMG CPCI-S.0) is a systematic further development of CompactPCI. Instead of the former PCI bus, this defines the current and future serial protocols for data transmission. In addition to PCIe, S-ATA, USB 2.0 & 3.0 and Ethernet are also available on every slot.



COMPACTPCI PLUSIO

CompactPCI PlusIO (PICMG 2.30) defines a unified pinout for the fast serial PCIe, S-ATA, USB and Ethernet protocols on the 32-bit CompactPCI system slot. Hybrid CompactPCI/CompactPCI Serial systems can be built. CompactPCI PlusIO thus offers simple migration to the new technology.



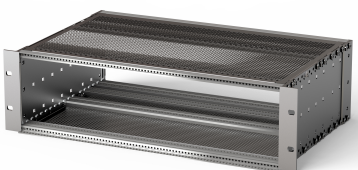
COMPACTPCI

CompactPCI (PICMG 2.0) was specified in 1995 and is based on the widely-used PCI bus. This bus, with the CompactPCI specification, is packaged in a robust modular 19" enclosure and is thus suitable for industrial use.



PSB

PSB (Packet Switching Backplane, PICMG 2.16) and H.110 (Computer Telephony Bus, PICMG 2.5) are CompactPCI sub-specifications that define additional buses, specifically for telecommunications applications, in 6 U CompactPCI.



SUBRACKS

CompactPCI subracks for building an individual CompactPCI system you can find in the subracks section, page 6.16

SERVICE PLUS

- e.g. individual configuration and assembly
- e.g. modifications (integration)
- e.g. custom solutions
- e.g. downloads (CAD drawings, user manuals, test reports)

Overview

PXI / PXIe case systems

PXIe, 4 U, 8 slot, 44HP	
PXIe, Gen 3.....	8.70
PXIe, Gen 2/3.....	8.71
PXI,	8.72
PXIe, 4 U, 18 Slot, 84HP	
PXIe, Gen 3 x 8.....	8.73
PXIe, Gen 3.....	8.74
PXIe, Gen 2/3.....	8.75
PXIe, Gen 2.....	8.76
PXIe, Controller Boards	8.77

CompactPCI Serial

4 U, 9 slot, ATX PSU..	8.80
4 U, 9 slot, 19" PSU..	8.81
4 U, 9 slot, 19" PSU, Desktop	8.82

CompactPCI PlusIO

4 U, 8 slot	8.83
4 U, 8 slot, Desktop	8.84

CompactPCI subrack systems

with ATX power supply, 1, 2, 3 U . . .	8.85
with 19" power supply, 1, 2, 3 and 4 U	8.86
3 U	8.87
4 U	8.88
6 U	8.89
6 + 1 U	8.90

CompactPCI case systems

4 U, 44HP.	8.91
4 U, 84HP.	8.92

PSB Systems

4 U	8.93
10 U	8.94

Equipment Cables...8.93

Systems – PXI-Express case system

PXI-EXPRESS SYSTEM, 4 U, 8 SLOT, GEN 3



12306001



12318002

Rear view

- PXI Express desktop chassis, 4 U, 44 HP
- 1 PXIe System slot and 7 Hybrid slots
- Ultra-high performance Gen 3 PCIe switching with a default four-link (4x4) system slot
- Powerful cooling concept with low fan noise, 50 W per slot @ 15K temperature increase
- Heat dissipation to rear from below with temperature controlled fans
- Wide range AC input with mains switch on the rear side, power push bottom on the front
- Rear panel external 10 MHz clock inputs/outputs

DELIVERY INCLUDES (completely assembled, wired and tested)

Item	Qty	Description
1	1	RatiopacPRO chassis with handles; 4 U, 44 HP, 315 mm deep; shielded; tip-up feet
2	8	Front slot; IEEE guide rails, incl. ESD clips (ESD clips assembled at bottom front), for vertical boards (3 U, 160 mm deep)
3	1	PXIe Backplane for 3 U boards; 8 slot; system slot on the left
4	1	PCIe 24 Lane Switch Module, PCIe Gen 3, mounted on backplane backside
5	1	PCIe-PCI Bridge Module, PCIe x1 to 32-bit 33 MHz, mounted on backplane backside
6	1	PXI Express Clock Module, PXI-1 & PXI-5 CLKs, mounted on backplane backside
7	1	Power supply 400 W; wide range input 100 ... 240 V _{AC} ; output: 3.3 V/ 25 A, 5 V/25 A, 12 V/15 A, -12 V/2 A; 5 V aux/1 A
8	2	80 mm fans with 258 m ³ /h (152.3 cfm) each
9	1	Fan Control module, FCM2
10	1	Mains inlet connector with switch, filter and fuse
11	1	Power push button
12	1	External 10 MHz REF clock output via BNC connector
13	1	Optional 10 MHz REF clock source via BNC connector
14	1	Cable harness to connect all system components

ORDER INFORMATION

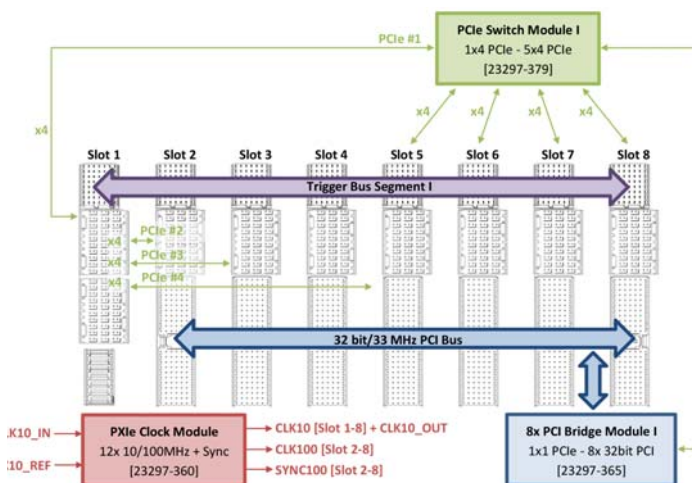
Height	Width	Depth	Number of	Qty/PU	Part no.
U	HP	mm	slots	piece	
4	44	315	8	1	14579-030

TECHNICAL DATA

Ambient temperature [°C]	0 °C ... 50 °C
Input voltage range [V _{AC}]	100 ... 240 V _{AC} at 50/60 Hz
Sound pressure level [dB(A)]	21 dBA (auto fan at 25 °C), 48 dBA (max fan speed)

NOTE

- System in accordance with IEC 60297-3-101, -102, -103; IEEE 1101.1, 1101.10/11); backplane conforms to PICMG rev. 3.0 and PXI-5
- Modified systems available on request



12318050

Backplane topology

Systems – PXI-Express case system

PXI-EXPRESS SYSTEM, 4 U, 8 SLOT, GEN 2 / 3



Front view



Rear view

- PXI Express desktop chassis, 4 U, 44 HP
- 1 PXIe System slot and 7 Hybrid slots
- Four-link system slot, 3 Peripheral Slots with PCIe Gen3 x4 and 4 Peripheral Slots with PCIe Gen2 x1 Links
- Powerful cooling concept with low fan noise, 50 W per slot @ 15K temperature increase
- Air flow from bottom to rear with temperature controlled fans; Integrated Chassis Monitoring Modul (CMM)
- Wide range AC input with mains switch on the rear side, power push button on the front (top)
- Rear panel external 10 MHz clock inputs/outputs

DELIVERY INCLUDES (completely assembled, wired and tested)

Item	Qty	Description
1	1	RatiopacPRO chassis with handles; 4 U, 44 HP, 315 mm deep; shielded; tip-up feet
2	8	Front slot; IEEE guide rails, incl. ESD clips (ESD clips assembled at bottom front), for vertical boards (3 U, 160 mm deep)
3	1	PXIe Backplane for 3 U boards; 8 slot; system slot on the left
4	1	PCIe 6 Lane Switch Module, PCIe Gen 2, mounted on backplane backside
5	1	PCIe-PCI Bridge Module, PCIe x1 to 32-bit 33 MHz, mounted on backplane backside
6	1	PXI Express Clock Module, PXI-1 & PXI-5 CLKs, mounted on backplane backside
7	1	Power supply 400 W; wide range input 100 ... 240 V _{AC} ; output: 3.3 V/ 25 A, 5 V/25 A, -12 V/2 A; 5 V aux/1 A
8	2	80 mm fans with 258 m ³ /h (152.3 cfm) each
9	1	Chassis Monitoring Module
10	1	Mains inlet connector with switch, filter and fuse
11	1	Power push button
12	1	External 10 MHz REF clock output via BNC connector
13	1	Optional 10 MHz REF clock source via BNC connector
14	1	Cable harness to connect all system components

ORDER INFORMATION

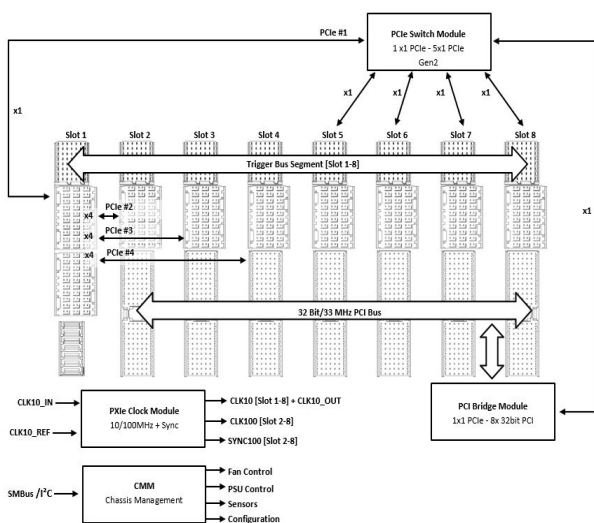
Height	Width	Depth	Number of	Qty/PU	Part no.
U	HP	mm	slots	piece	
4	44	315	8	1	14579-033

TECHNICAL DATA

Ambient temperature [°C]	0 °C ... 50 °C
Input voltage range [V _{AC}]	100 ... 240 V _{AC} at 50/60 Hz
Sound pressure level [dB(A)]	21 dBA (auto fan at 25 °C), 48 dBA (max fan speed)

NOTE

- System in accordance with IEC 60297-3-101, -102, -103; IEEE 1101.1, 1101.10/11); backplane conforms to PICMG rev. 3.0 and PXI-5 R1.1
- Modified systems available on request



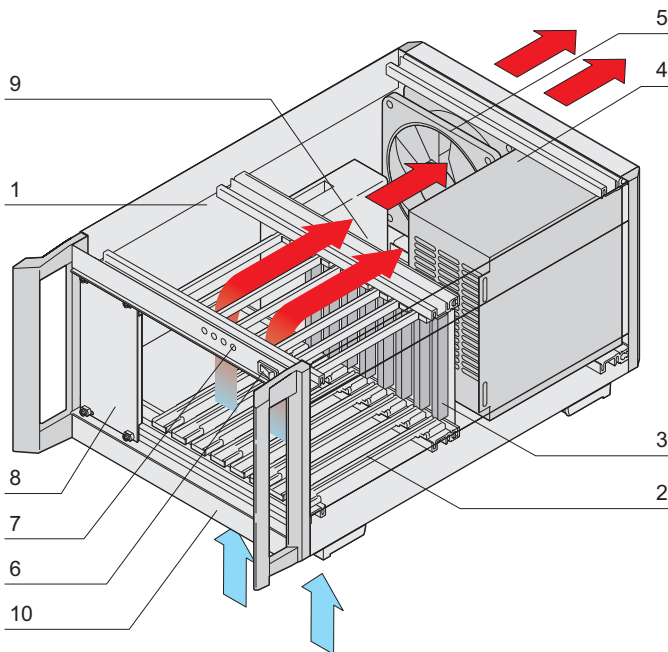
Backplane topology

Systems – PXI case system

PXI SYSTEM, 4 U, 8 SLOT, 44 HP



12307002



12307050

- PXI desktop chassis, 4 U, 44 HP
- PXI backplane, 8 slot, 3 HE, 64 bit, system slot left
- Heat dissipation to rear from below
- ATX power supply 400 W, wide-range AC input with power switch on the back of the device
- Backplane with clock switching internal / external

DELIVERY INCLUDES (completely assembled, wired and tested)

Item	Qty	Description
1	1	ratiopacPRO-air case, RAL 9006, with 19" mounting brackets and handles RAL 7016, 4 U, 44 HP; shielded; perforated base plate; tip-up feet
2	8	Front slots, with 2 IEEE guide rails each, incl. ESD clips (ESD clips assembled at bottom front), for vertical boards (3 U, 160 mm deep)
3	1	Backplane for 3 U boards; 8 slot, 64 bit (part no. 23006-578); System slot on the left
4	1	Power supply, ATX (PS2), 400 W, wide range input 100 ... 240 V _{AC} ; Output 3.3 V/28 A, 5 V/40 A, 12 V/12 A, -12 V/ 1 A; IEC AC input module with socket; AC mains switch; Fan
5	1	Fan, 170 m ³ /h (100 cfm) assembled on rear panel
6	1	Mains switch, DC, front
7	1	Voltage display
8	1	Front panel, 10 U
9	1	Cable harness to connect all system components
10	1	Filter mat and holder

ORDER INFORMATION

Height	Width	Depth	Number of	Qty/PU	Part no.
U	HP	mm	slots	piece	
4	44	355	8	1	14579-008

NOTE

- System in accordance with IEC 60297-3-101, -102, -103; IEEE 1101.1, 1101.10/11); backplane conforms to PICMG rev. 3.0 and PXI 2.3
- Modified systems available on request

Systems – PXI-Express case system

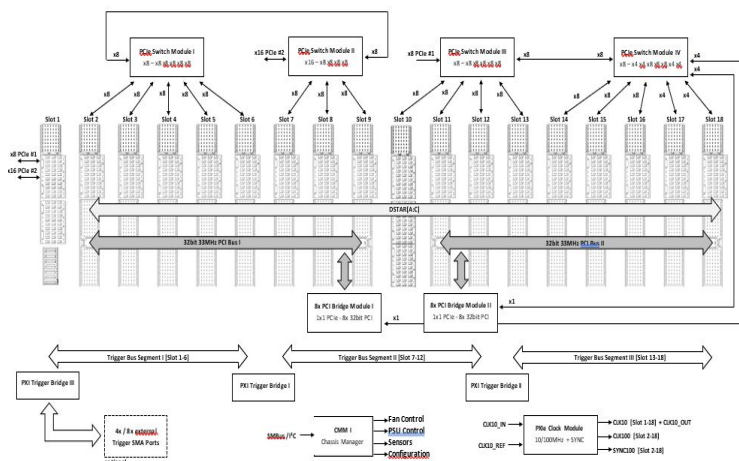
PXI-EXPRESS SYSTEM, 4 U, 18 SLOT, GEN 3 x 8



Front view



Rear view



Backplane topology

- PXI Express desktop chassis, 4 U, 84 HP with handles and 19" mounting brackets
- 1 PXI Express System Slot with 16 HP width, 1 PXI Express Timing Slot and 16 Hybrid Slots
- Gen 3 PCIe switching with a two-link (1x16 and 1x8) system slot
- Powerful cooling concept with low fan noise, 80 W per slot @ 15K temperature increase
- Air flow from bottom to rear with temperature controlled fans; Integrated Chassis Monitoring Modul (CMM)
- Wide range AC input with mains switch on the rear side, power push bottom on the front (top) Rear panel external 10 MHz clock inputs/outputs
- Trigger in/output lines via SMA connector on the front side

DELIVERY INCLUDES (completely assembled, wired and tested)

Qty	Description
1	1 RatiopacPRO chassis with handles; 4 U, 84 HP, 465,5 mm deep; shielded; tip-up feet
2	18 Front slot; IEEE guide rails, incl. ESD clips (ESD clips assembled at bottom front), for vertical boards (3 U, 160 mm deep)
3	1 PXIe Backplane for 3 U boards; 18 slot; system slot on the left
4	4 PCIe 48 Lane Switch Module, PCIe Gen 3, mounted on backplane backside
5	2 PCIe-PCI Bridge Module, PCIe x1 to 32-bit 33 MHz, mounted on backplane backside
6	1 PXI Express Clock Module, PXI-1 & PXI-5 CLKs, mounted on backplane backside
7	3 PXI Trigger Bridges, mounted on backplane backside
8	2 Power supplies rear pluggable 2 x 900 W; wide range input 100 ... 240 VAC
9	1 Power Distribution Board with output: 3,3 V / 65 A, 5 V / 30 A, 12 V / 125 A, - 12 V / 2 A; 5 V aux / 3 A
10	3 120 mm fans with 357.3 m ³ /h (210.3 cfm) each
11	1 Chassis Monitoring Module
12	1 Power push button
13	1 External 10 MHz REF clock output via BNC connector
14	1 Optional 10 MHz REF clock source via BNC connector
15	1 Cable harness to connect all system components

ORDER INFORMATION

Height	Width	Depth	Number of	Qty/PU	Part no.
U	HP	mm	slots	piece	
4	84	465,5	18	1	14579-042

TECHNICAL DATA

Ambient temperature [°C]	0 °C ... 50 °C
Input voltage range [V _{AC}]	100 ... 240 V _{AC} at 50/60 Hz
Sound pressure level [dB(A)]	21 dBA (auto fan at 25 °C), 48 dBA (max fan speed)

NOTE

- System in accordance with IEC 60297-3-101, -102, -103; IEEE 1101.1, 1101.10/11); backplane conforms to PICMG rev. 3.0 and PXI-5 R1.1
- Modified systems available on request

Systems – PXI-Express case system

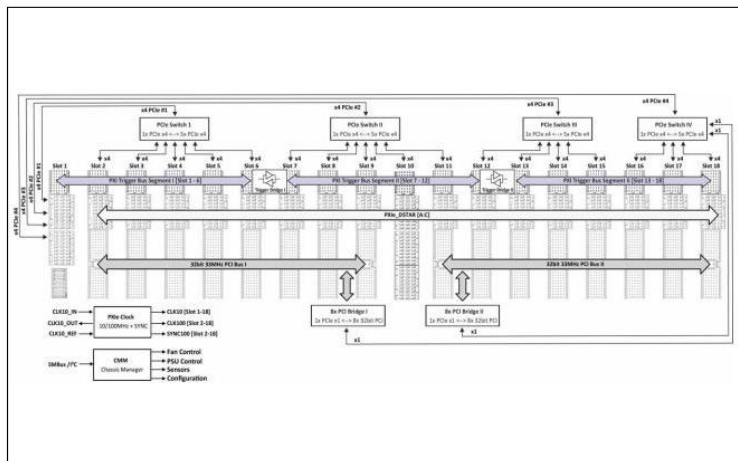
PXI-EXPRESS SYSTEM, 4 U, 18 SLOT, GEN 3



Front view



Rear view



Backplane topology (More details in the user manual)

- PXI Express desktop chassis, 4 U, 84 HP
- 1 PXIe System slot, 16 Hybrid slots and 1 System Timing slot
- Ultra-high performance Gen 3 PCIe switching with a default four-link (4x4) system slot
- Powerful cooling concept with low fan noise, 50 W per slot @ 15K temperature increase
- Heat dissipation to rear from below with temperature controlled fans
- Wide range AC input with mains switch on the rear side, power push bottom on the front
- Rear panel external 10 MHz clock inputs/outputs

DELIVERY INCLUDES (completely assembled, wired and tested)

Item	Qty	Description
1	1	RatiopacPRO chassis with handles; 4 U, 84 HP, 355 mm deep; shielded; tip-up feet
2	18	Front slot; IEEE guide rails, incl. ESD clips (ESD clips assembled at bottom front), for vertical boards (3 U, 160 mm deep)
3	1	PXIe Backplane for 3U Boards; 18 Slots; Systemslot left
4	4	PCIe 24 Lane Switch Module, PCIe Gen 3, mounted on backplane backside
5	2	PCIe-PCI Bridge Module, PCIe x1 to 32-bit 33 MHz, mounted on backplane backside
6	1	PXI Express Clock Module, PXI-1 & PXI-5 CLKs, mounted on backplane backside
7	2	PXI Trigger Bridges, mounted on backplane backside
8	1	Power supply 1200 W; wide range input 100 ... 240 VAC; output: 3,3 V / 80 A, 5 V / 36 A, 12 V / 40 A, -12 V / 20 A; 5 V aux / 2 A
9	3	120 mm fans with 220,8 m³/h (129.9 cfm) each
10	1	Chassis Monitoring Module, CMM
11	1	Mains inlet connector with switch, filter and fuse
12	1	Power push button
13	1	External 10 MHz REF clock output via BNC connector
14	1	Optional 10 MHz REF clock source via BNC connector
15	1	Cable harness to connect all system components

ORDER INFORMATION

Height	Width	Depth	Number of slots	Qty/PU	Part no.
U	HP	mm		piece	
4	84	355	18	1	14579-040

TECHNICAL DATA

Ambient temperature [°C]	0 °C ... 50 °C
Input voltage range [V _{AC}]	100 ... 240 V _{AC} at 50/60 Hz
Sound pressure level [dB(A)]	21 dBA (auto fan at 25 °C), 48 dBA (max fan speed)

NOTE

- System in accordance with IEC 60297-3-101, -102, -103; IEEE 1101.1, 1101.10/11); backplane conforms to PICMG rev. 3.0 and PXISA PXI-5 R1.1
- Modified systems available on request

Systems – PXI-Express case system

PXI-EXPRESS SYSTEM, 4 U, 18 SLOT, GEN 2 / 3



Front view



Rear view

- PXI Express desktop chassis, 4 U, 84 HP
- 1 PXIe System slot, 16 Hybrid slots and 1 System Timing slot
- Gen 2 and 3 PCIe switching with a four-link (Gen 3: 2x4 and Gen 2: 2x1) system slot
- Powerful cooling concept with low fan noise, 50 W per slot @ 15K temperature increase
- Air flow from bottom to rear with temperature controlled fans; Integrated Chassis Monitoring Modul (CMM)
- Wide range AC input with mains switch on the rear side, power push bottom on the front (top). Rear panel external 10 MHz clock inputs/outputs

DELIVERY INCLUDES (completely assembled, wired and tested)

Item	Qty	Description
1	1	RatiopacPRO chassis with handles; 4 U, 84 HP, 355 mm deep; shielded; tip-up feet
2	18	Front slot; IEEE guide rails, incl. ESD clips (ESD clips assembled at bottom front), for vertical boards (3 U, 160 mm deep)
3	1	PXIe Backplane for 3U Boards; 18 Slots; Systemslot left
4	2	PCIe 6 Lane Switch Module, PCIe Gen 2, mounted on backplane backside
5	2	PCIe 24 Lane Switch Module, PCIe Gen 3, mounted on backplane backside
6	2	PCIe-PCI Bridge Module, PCIe x1 to 32-bit 33 MHz, mounted on backplane backside
7	1	PXI Express Clock Module, PXI-1 & PXI-5 CLKs, mounted on backplane backside
8	2	PXI Trigger Bridges, mounted on backplane backside
9	1	Power supply 1200 W; wide range input 100 ... 240 VAC; output: 3,3 V / 80 A, 5 V / 36 A, 12 V / 40 A, - 12 V / 20 A; 5 V aux / 2 A
10	3	120 mm fans with 220,8 m³/h (129.9 cfm) each
11	1	Chassis Monitoring Module, CMM
12	1	Mains inlet connector with switch, filter and fuse
13	1	Power push button
14	1	External 10 MHz REF clock output via BNC connector
15	1	Cable harness to connect all system components

ORDER INFORMATION

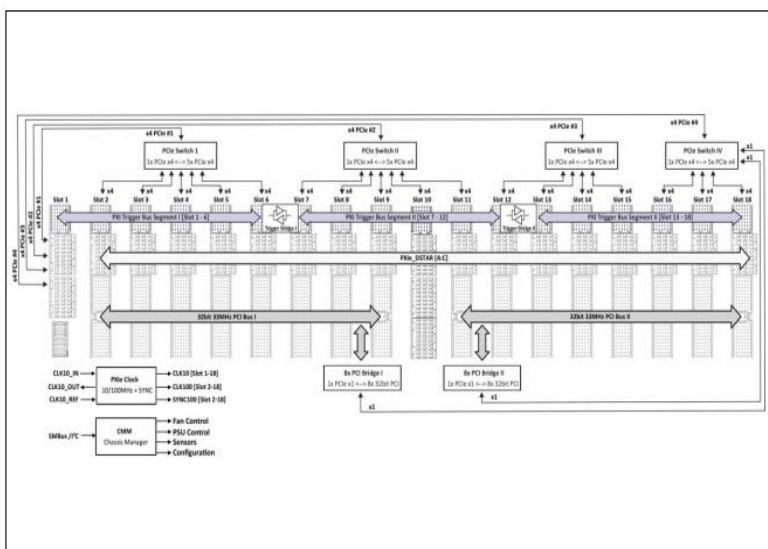
Height	Width	Depth	Number of slots	Qty/PU	Part no.
	HP	mm		piece	
	84	355	18	1	14579-044

TECHNICAL DATA

ambient temperature [°C]	0 °C ... 50 °C
input voltage range [V _{AC}]	100 ... 240 V _{AC} at 50/60 Hz
sound pressure level [dB(A)]	21 dBA (auto fan at 25 °C), 48 dBA (max fan speed)

NOTE

System in accordance with IEC 60297-3-101, -102, -103; IEEE 1101.1, 1101.10/11); backplane conforms to PICMG rev. 3.0 and PXISA PXI-5 R1.1
Modified systems available on request



Backplane topology (More details in the user manual)

Systems – PXI-Express case system

PXI-EXPRESS SYSTEM, 4 U, 18 SLOT, GEN 2



Front view



Rear view

- PXI Express desktop chassis, 4 U, 84 HP, with handles and 19" mounting brackets
- 1 PXIe System slot, 16 Hybrid slots and 1 System Timing slot
- Gen 2 PCIe switching with a four-link (4x1) system slot
- Powerful cooling concept with low fan noise, 50 W per slot @ 15K temperature increase
- Air flow from bottom to rear with temperature controlled fans; Integrated Chassis Monitoring Modul (CMM)
- Wide range AC input with mains switch on the rear side, power push bottom on the front (top). Rear panel external 10 MHz clock inputs/outputs

DELIVERY INCLUDES (completely assembled, wired and tested)

Item	Qty	Description
1	1	RatiopacPRO chassis with handles; 4 U, 84 HP, 355 mm deep; shielded; tip-up feet
2	18	Front slot; IEEE guide rails, incl. ESD clips (ESD clips assembled at bottom front), for vertical boards (3 U, 160 mm deep)
3	1	PXIe Backplane for 3U Boards; 18 Slots; system slot left
4	4	PCIe 6 Lane Switch Module, PCIe Gen 2, mounted on backplane backside
5	2	PCIe-PCI Bridge Module, PCIe x1 to 32-bit 33 MHz, mounted on backplane backside
6	1	PXI Express Clock Module, PXI-1 & PXI-5 CLKs, mounted on backplane backside
7	2	PXI Trigger Bridges, mounted on backplane backside
8	1	Power supply 1200 W; wide range input 100 ... 240 VAC; output: 3,3 V / 80 A, 5 V / 36 A, 12 V / 40 A, - 12 V / 20 A; 5 V aux / 2 A
9	3	120 mm fans with 220,8 m ³ /h (129.9 cfm) each
10	1	Chassis Monitoring Module, CMM
11	1	Mains inlet connector with switch, filter and fuse
12	1	Power push button
13	1	External 10 MHz REF clock output via BNC connector
14	1	Optional 10 MHz REF clock source via BNC connector
15	1	Cable harness to connect all system components

ORDER INFORMATION

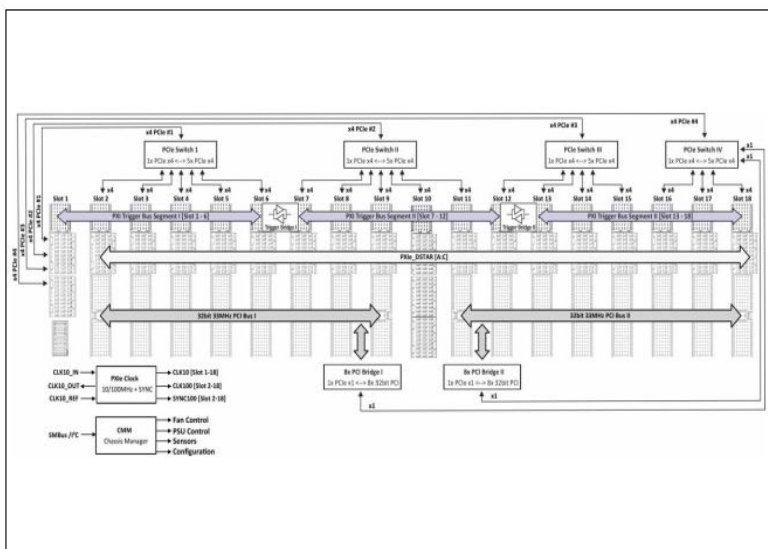
Height	Width	Depth	Number of	Qty/PU	Part no.
U	HP	mm	slots	piece	
4	84	355	18	1	14579-043

TECHNICAL DATA

Ambient temperature [°C]	0 °C ... 50 °C
Input voltage range [V _{AC}]	100 ... 240 V _{AC} at 50/60 Hz
Sound pressure level [dB(A)]	21 dBA (auto fan at 25 °C), 48 dBA (max fan speed)

NOTE

- System in accordance with IEC 60297-3-101, -102, -103; IEEE 1101.1, 1101.10/11); backplane conforms to PICMG rev. 3.0 and PXISA PXI-5 R1.1
- Modified systems available on request



Backplane Topologie

Systems – PXI-Express Controller Modules

CONTROLLER MODULES FOR PCIe



PXI EC V2 CG W-11555MLE 32-1024 CTR

The nVent SCHROFF PXIe embedded controller is the most compact and powerful 3 U/4 HP embedded controller for PXI Express and CPCI exp platforms. With its comprehensive and future-proof interface and compute power capabilities, it is ideally suitable for test and measurement applications. The controller is driven by a 11th generation Intel® Xeon® processor, combined with up to 64 GB DDR4 memory and supports high bandwidth applications with PCIe Gen4 and 10GBASE-T interconnectivity.

- PXI Express System Controller, 3 U, 4 HP, with Intel W-11555MLE Processor
- PXI™-5 PXI Express hardware spec. Rev.2.0 compliant
- Maximum 28 GB/s PCIe Bandwidth
- Upgradeable m.2 and DDR4 Storage
- 2x USB3.1, 2x 10 GbE and 1x DP 1.4 on the front panel
- Full customizable AMI Aptio® Embedded BIOS

DELIVERY COMPRISES (completely assembled, wired and tested)

Item	Qty	Description
1	1	PXIe embedded Controller, 3 U, 4 HP, 160 mm

ORDER INFORMATION

Height	Width	Depth	Qty/PU	Part no.
U	HP	mm	piece	
3	4	160	1	21265-170

CONTROLLER CAPABILITIES

CPU	W-11555MLE 6x 1.9 GHz/4.4 GHz		
Chipset	RM590E/QM580E/HM570E		
DRAM ^[2]	32 GB 3200 MHz DDR4		
Graphics	Integrated Xe (Gen12) graphics with 32 EU		
Storage ^[2]	m.2 Type B SSD WD RED 1 TB		
I/O ports	2x 10GBASE-T, 2x USB3.1 Type A, DP 1.4		
Power	Peak: 120 W		TDP: 30 W
^[2] Assembly options	DDR4	16/32/64	GB
	Storage	1/2/4	TB

Mechanical Parameter

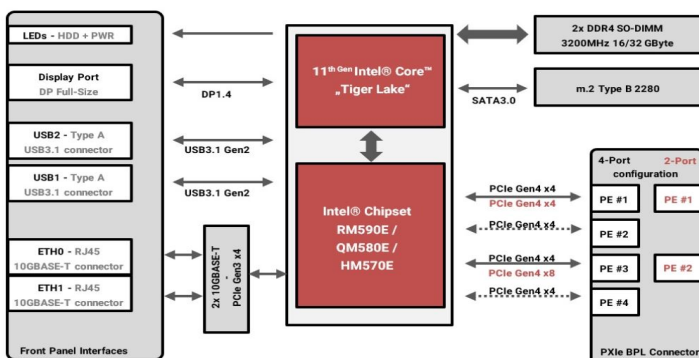
Form Factor	3 U, 1 Slot PXIe/CPCIexp System Slot
Dimensions	20.3 x 128.7 x 213.2 mm
Weight	0.48 kg

Environmental

Operating ^[3]	0...+45 °C @ 10-90 % non-condensing
Storage ^[3]	-20...+80 °C @ 10-90 % non-condensing
^[3] Industrial Grade option	Operating -40...+70°C
	Storage -40...+85°C

NOTE

- Conforms to PICMG rev. 3.0 and PXI-5
- Modified controller available on request



Controller Topology (More details in the user manual)

Systems – PXI-Express Controller Modules

CONTROLLER MODULES FOR PCIe



PXI-E EC V3 CG I5-1145G7E 32-1024 CTR

The nVent SCHROFF PXIe embedded controller is the most compact and powerful 3U one-slot embedded controller for the PXI Express and CPCI exp platforms. With its huge and future-ready interface capabilities, it runs perfectly with most test and measurement applications. The Controller is driven by a 11th generation Intel® Core™ i3 / i5 processors combined with up to 64GB DDR4 memory and easily supports high bandwidth applications with future ready PCIe Gen4 and dual 2500BASE-T system interconnectivity.

- PXI Express System Controller, 3 U, 4 HP, with Intel Core I5-1145G7E Processor
- PXI™-5 PXI Express hardware spec. Rev.2.0 compliant
- Maximum 14 GB/s PCIe Bandwidth
- Upgradeable m.2 and DDR4 Storage
- 3x USB3.1, 2x GbE and 1x DP 1.4 on the front panel
- Full customizable AMI Aptio® Embedded BIOS

DELIVERY COMPRISES (completely assembled, wired and tested)

Item	Qty	Description
1	1	PXIe embedded Controller, 3 U, 4 HP, 160 mm

ORDER INFORMATION

Height	Width	Depth	Qty/PU	Part no.
U	HP	mm	piece	
3	4	160	1	21265-124

CONTROLLER CAPABILITIES

CPU	i5-1145G7E	4x 1.5 GHz, 12 MB Cache
Chipset	RM590E/QM580E/HM570E	
DRAM ^[2]	32 GB 3200 MHz DDR4	
Graphics	Integrated Xe (Gen12) graphics with 32 EU	
Storage ^[2]	m.2 Type M NVMe Samsung EVO980PLUS	
I/O ports	2x 2.5GBASE-T, 2x USB3.1 Type A, DP 1.4	
Power	Peak: 45 W	TDP: 20 W
^[2] Assembly options	DDR4	16/32/64 GB
	Storage	1/2/4 TB

Mechanical Parameter

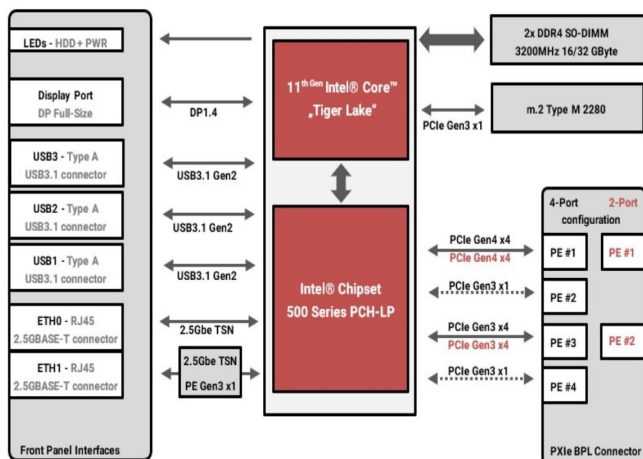
Form Factor	3 U, 1 Slot PXIe/CPCIexp System Slot
Dimensions	20.3 x 128.7 x 213.2 mm
Weight	0.38 kg

Environmental

Operating ^[3]	0...+45 °C @ 10-90 % non-condensing
Storage ^[3]	-20...+80 °C @ 10-90 % non-condensing
^[3] Industrial Grade option	Operating -40...+70°C
	Storage -40...+85°C

NOTE

- Conforms to PICMG rev. 3.0 and PXI-5
- Modified controller available on request



Controller Topology (More details in the user manual)

Systems – PXI-Express Controller Modules

CONTROLLER MODULES FOR PCIe



PXI-E EC V3 CG I3-1115G4E 16-512 CTR

The nVent SCHROFF PXIe embedded controller is the most compact and powerful 3U one-slot embedded controller for the PXI Express and CPCI exp platforms. With its huge and future-ready interface capabilities, it runs perfectly with most test and measurement applications. The Controller is driven by a 11th generation Intel® Core™ i3 / i5 processors combined with up to 64GB DDR4 memory and easily supports high bandwidth applications with future ready PCIe Gen4 and dual 2500BASE-T system interconnectivity.

- PXI Express System Controller, 3 U, 4 HP, with Intel Core I3-1145G7E Processor
- PXI™-5 PXI Express hardware spec. Rev.2.0 compliant
- Maximum 14 GB/s PCIe Bandwidth
- Upgradeable m.2 and DDR4 Storage
- 3x USB3.1, 2x GbE and 1x DP 1.4 on the front panel
- Full customizable AMI Aptio® Embedded BIOS

DELIVERY COMPRISES (completely assembled, wired and tested)

Item	Qty	Description
1	1	PXIe embedded Controller, 3 U, 4 HP, 160 mm

ORDER INFORMATION

Height	Width	Depth	Qty/PU	Part no.
U	HP	mm	piece	
3	4	160	1	21265-120

CONTROLLER CAPABILITIES

CPU	i3-1115G4E 2x 2.2 GHz, 6 MB Cache		
Chipset	RM590E/QM580E/HM570E		
DRAM ^[2]	16 GB 3200 MHz DDR4		
Graphics	Integrated Xe (Gen12) graphics with 32 EU		
Storage ^[2]	m.2 Type M NVMe Samsung EVO980PLUS		
I/O ports	2x 2.5GBASE-T , 2x USB3.1 Type A, DP 1.4		
Power	Peak: 45 W	TDP: 20 W	
^[2] Assembly options	DDR4	16/32/64	GB
	Storage	1/2/4	TB

Mechanical Parameter

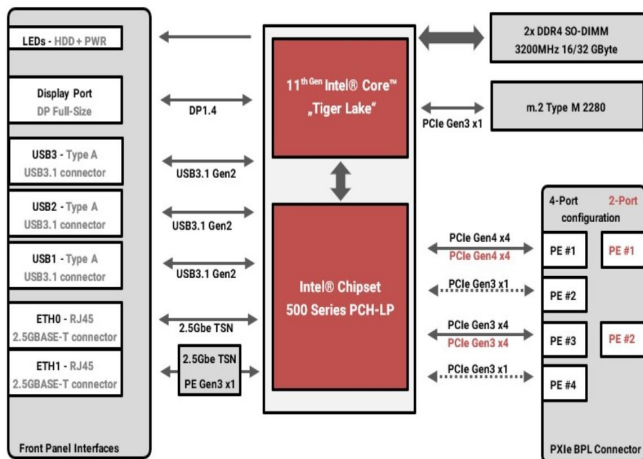
Form Factor	3 U, 1 Slot PXIe/CPCIexp System Slot
Dimensions	20.3 x 128.7 x 213.2 mm
Weight	0.38 kg

Environmental

Operating ^[3]	0...+45 °C @ 10-90 % non-condensing
Storage ^[3]	-20...+80 °C @ 10-90 % non-condensing
^[3] Industrial Grade option	Operating -40...+70°C
	Storage -40...+85°C

NOTE

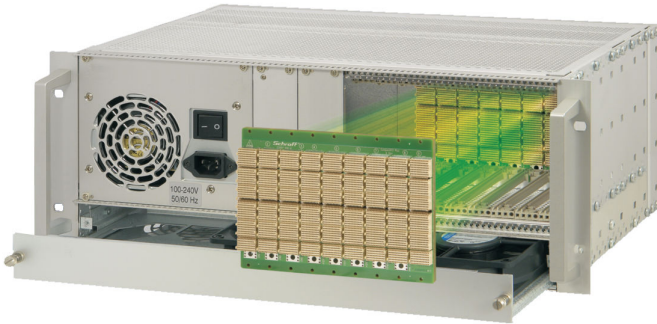
- Conforms to PICMG rev. 3.0 and PXI-5
- Modified controller available on request



Controller Topology (More details in the user manual)

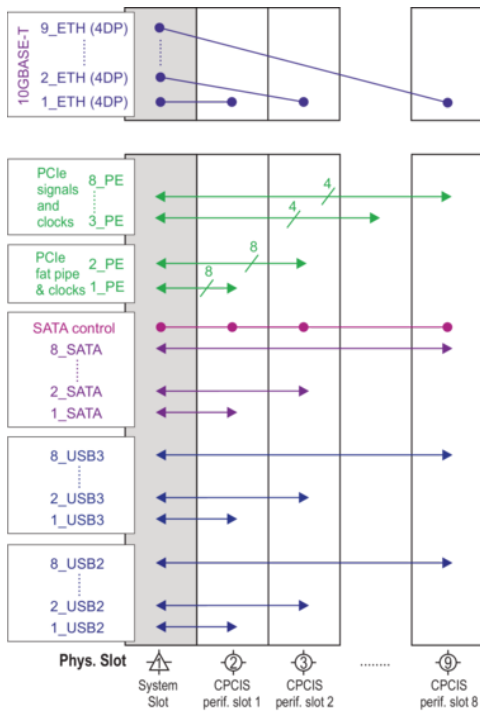
Systems – CompactPCI Serial systems

COMPACTPCI SERIAL, 4 U, WITH / WITHOUT REAR I/O



- 4 U CompactPCI Serial system with vertical 3 U board cage
- Airflow from bottom to top with fan modules that can be changed on the front
- Retrofittable air filter
- Supports PCIe up to Gen3, USB 2.0 and 3.0, S-ATA up to Rev 3.0, and Ethernet up to 10 GBase-T
- Preference types can be ordered directly from stock, other configurations on request
- AC wide range input, 1 x ATX 300 W PSU
- 9 slot backplane, system slot left, Ethernet as star

Backplane Topology



Fan module

12315004

DELIVERY INCLUDES (completely assembled, wired and tested)

Item	Qty	Description
1	1	Shielded 19" chassis, Al; perforated top cover and base plate; front handles
2	9	Slot at front; IEEE guide rails incl. ESD clips (ESD clips fitted at bottom front), for vertical board mounting (3 U, 160 mm deep)
3	9	Version with rear I/O: Slot at rear; IEEE guide rails incl. ESD clips (ESD clips fitted at bottom), for vertical mounting of rear I/O boards (3 U, 80 mm deep)
4	1	CompactPCI Serial backplane for 3 U boards; 9 slot, system slot left (without rear I/O part no. 23007-629, with rear I/O part no. 23007-669)
5	1	ATX PSU 300 W, 32 HP; wide range input 100 ... 240 VAC, (3.3 V/28 A, 5 V/35 A, 12 V/22 A, -12 V/0.8 A); IEC AC input module with socket; mains switch; fan
6	1	Hot-swap fan tray, pull-out, 1 U, 3 x 12 V _{DC} fans
7	1	Cable harness to connect all system components

ORDER INFORMATION

Height	Width	Depth	Number	Version	Part no.
U	mm	HP	of slots		
4	177	84	9	Without rear I/O	24579-415
4	177	84	9	With rear I/O	24579-420

Accessories

Air filter retainer for CompactPCI Serial systems	1 piece	24579-632
Air filter mat for CompactPCI, CompactPCI Serial, and VME systems	1 piece	60713-471
Equipment cables		Page 8.88

Note

- System in accordance with IEC 60297-3-101, -102, -103; IEEE 1101.1, 1101.10/11; backplane in accordance with PICMG CPCIS-S.0
- Modified systems available on request



Open Modular
Computing Specifications

Systems – CompactPCI Serial systems

COMPACTPCI SERIAL, 4 U, WITH/WITHOUT REAR I/O



Front view (24579-416)

12315001



Front view with rear I/O (24579-421)

12315002



Rear view with rear I/O (24579-421)

12315003



Fan module

12315004

- 4 U CompactPCI Serial system with vertical 3 U board cage
- Airflow from bottom to top with fan modules that can be changed on the front
- Retrofittable air filter
- Supports PCIe up to Gen3, USB 2.0 and 3.0, S-ATA up to Rev 3.0, and Ethernet up to 10 GBase-T
- Preference types can be ordered directly from stock, other configurations on request
- AC wide range input,
 - 1 pluggable 300 W PSU (without rear I/O),
 - 2 pluggable 300 W PSUs (with rear I/O)
- 9 slot backplane, system slot left, Ethernet as star

DELIVERY INCLUDES (completely assembled, wired and tested)

Item	Qty	Description
1	1	Shielded 19" chassis, Al; perforated top cover and base plate; front handles
2	9	Slot at front; IEEE guide rails incl. ESD clips (ESD clips fitted at bottom front), for vertical board mounting (3 U, 160 mm deep)
3	9	Version with rear I/O: Slot at rear; IEEE guide rails incl. ESD clips (ESD clips fitted at bottom), for vertical mounting of rear I/O boards (3 U, 80 mm deep)
4	1	CompactPCI Serial backplane for 3 U boards; 9 slot, system slot left (without rear I/O part no. 23007-629, with rear I/O part no. 23007-669)
5	1 / 2	Power backplane, 3 U, 8 HP with 1 x Pwrblade connector without rear I/O, 2 power backplanes for version with rear I/O (part no. 23098-397)
6	1 / 2	19" PSU, 300 W, 3 U, 8 HP (part no. 11098-538); 2 PSUs installed for version with rear I/O
7	1	AC input module, 3 U, 8 HP; A/C line filter, max. current 10 A
8	1	Hot-swap fan tray, pull-out, 1 U, 3 x 12 V _{DC} fans
9	1	FCM Modul monitoring and control of fans and voltage (only 24579-421)
10	1	Display and Reset button assembled in the front panel of the fan tray (only 24579-421)
11	1	Cable harness to connect all system components

ORDER INFORMATION

Height	Width	Depth	Number	Version	Part no.
U	mm	HP	of slots		
4	177	84	9	Without rear I/O	24579-416
4	177	84	9	With rear I/O	24579-421

Accessories

Air filter retainer for CompactPCI Serial systems	1 piece	24579-632
Air filter mat for CompactPCI, CompactPCI Serial, and VME systems	1 piece	60713-471
Equipment cables		Page 8.88

Note

- System in accordance with IEC 60297-3-101, -102, -103; IEEE 1101.1, 1101.10/11; backplane in accordance with PICMG CPCI-S.0
- Modified systems available on request

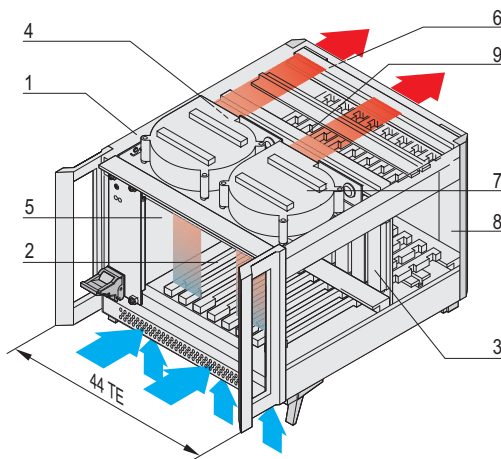


Systems – CompactPCI Serial systems

4 U, 9 SLOT, 44 HP, WITHOUT REAR I/O, WITH 19" PSU



Frontansicht



12315005

- System for vertical board mounting with board format
 - Front: 3 U, 160 mm deep, 9 slot
- Backplane
 - 9 slot, 3 U, CompactPCI Serial
- 19" PSU, 300 W, 3 U, 8 HP
- Heat dissipation by two radial fans, from front to rear

DELIVERY COMPRISES (completely assembled, wired and tested)

Item	Qty	Description
1	1	ratiopacPRO-air case, RAL 9006, shielded, perforated air inlet/exhaust openings front and rear; front handles RAL 7016
2	9	Front slot; IEEE guide rails, incl. ESD clips (ESD clips fitted to bottom front), for vertical boards (3 U, 160 mm deep)
3	1	Backplane for 3 U boards; 9 slot CompactPCI Serial (part no. 23007-629)
4	1	Power backplane, 3 U, 8 HP with 1 x P47 connector (part no. 23098-397)
5	1	19" compatible power supply, 250 W (3 U, 8 HP; part no. 11098-538)
6	1	AC input module, 3 U, 8 HP; AC line filter, 110 ... 250 V _{AC} , 50 ... 60 Hz, max. current 10 A
7	2	Radial fan, 36 m ³ /h each, free blowing
8	1	Front panel, rear, 3 U, 36 HP
9	1	Cable harness, adaptor board (23098-399) to connect all system components

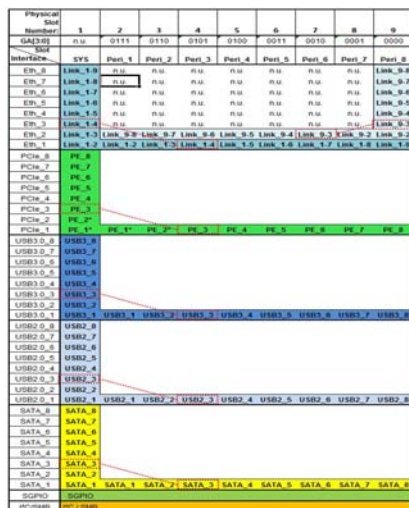
ORDER INFORMATION

Height U	Height mm	Width HP	Depth mm	Number of slots	Part no.
4	177	44	275	9	24579-634

Accessories

Equipment cables	Page 8.88
Front panels	Page 7.5
Modules to mount drive units	Page 8.110
Front panels with handle (Plug-in Units)	Page 7.32
Fan control modules (FCM)	Page 8.108

12312050



12415029

Note

- Modified systems available on request
- System in accordance with IEC 60297-3-101, -102, -103; IEEE 1101.1, 1101.10/11; backplane in accordance with PICMG CPCI-S.0

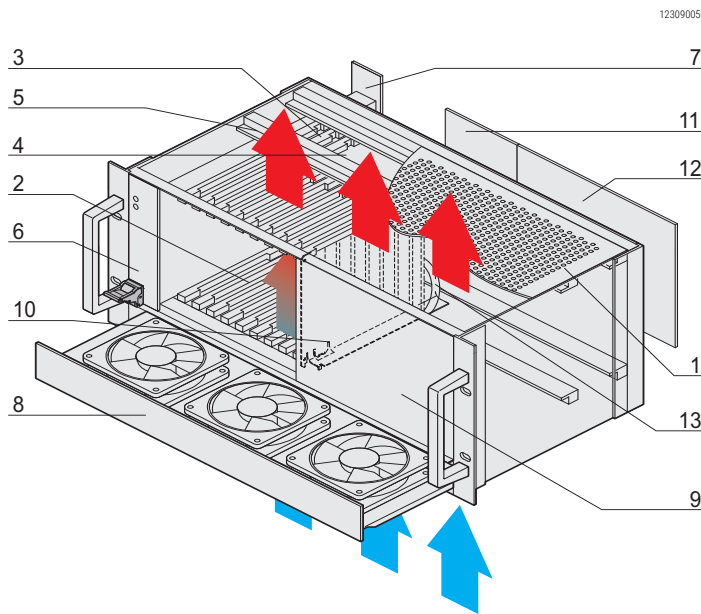
Backplane topology



Systems – CompactPCI PlusIO systems

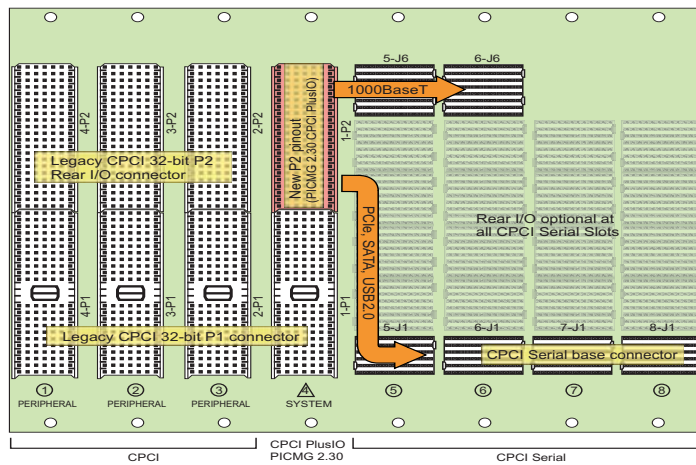
4 U, 8 SLOT, WITH REAR I/O, 19"-COMPATIBLE PSU

- System for vertical board mounting with board format
 - Front: 3 U, 160 mm deep, 8 slot
 - Rear, rear I/O: 3 U, 80 mm deep, 3 slot
- Backplane
 - 4 slot, 3 U, 32 bit, CompactPCI
 - 4 slot, 3 U, CompactPCI PlusIO
 - Power backplane
- 19"-compatible PSU, 300 W, 3 U, 8 HP
- Heat dissipation by 1 U hot-swap fan unit, from bottom to top



DELIVERY COMPRISES (completely assembled, wired and tested)

Item	Qty	Description
1	1	Shielded 19" chassis, Al; perforated top cover and base plate; front handles
2	8	Front slot; IEEE guide rails, incl. ESD clips (ESD clips fitted to bottom front), for vertical boards (3 U, 160 mm deep)
3	3	Rear slot; IEEE guide rails, incl. ESD clips (ESD clips fitted to bottom), for vertical rear I/O boards (3 U, 80 mm deep)
4	1	Backplane for 3 U boards; 8 slots comprising 4 slots 32-bit CompactPCI plus 4 slots CompactPCI PlusIO (PICMG 2.30, part no. 23007-601)
5	1	Power backplane, 3 U, 8 HP with 1 x P47 connector (part no. 23098-393)
6	1	19" compatible power supply, 300 W (3 U, 8 HP; part no. 13100-143) , Wide input voltage range 90...264VAC with power factor correction (PFC), VAC (3,3 V/40 A, 5 V/40 A, 12 V/10 A,-12 V/2 A)
7	1	AC input module, 3 U, 8 HP; AC line filter, 110 ... 250 V _{AC} , 50 ... 60 HZ, max. current 10 A
8	1	Hot-swap fan tray, extractable, 1 U, 3 x 12 V _{DC} fans
9	1	Front panel front, 3 U, 44 HP
10	1	Air baffle, 3 U, 160 mm deep
11	1	Front panel, rear, 3 U, 60 HP
12	1	Front panel, rear, 3 U, 4 HP
13	1	Cable harness to connect all system components



Backplane topology



ORDER INFORMATION

Height	Height	Width	Depth	Number of	Part no.
U	mm	HP	mm	slots	
4	177	84	275	8	24579-400

Accessories

Equipment cables	Page 8.88
Front panels	Page 7.5
Modules to mount drive units	Page 8.110
Front panels with handle (Plug-in Units)	Page 7.32
Fan control modules (FCM)	Page 8.108

Note

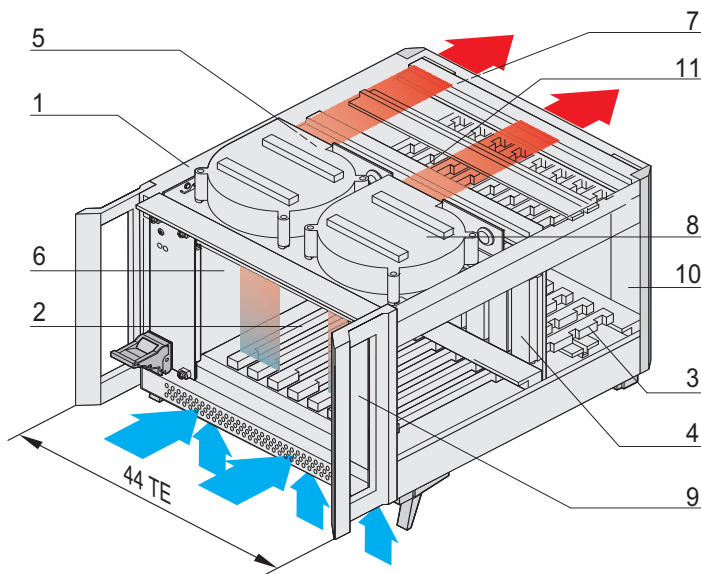
- Modified systems available on request
- System in accordance with IEC 60297-3-101, -102, -103; IEEE 1101.1, 1101.10/11; backplane in accordance with PICMG 2.0 rev. 3.0 and 2.30

Systems – CompactPCI PlusIO systems

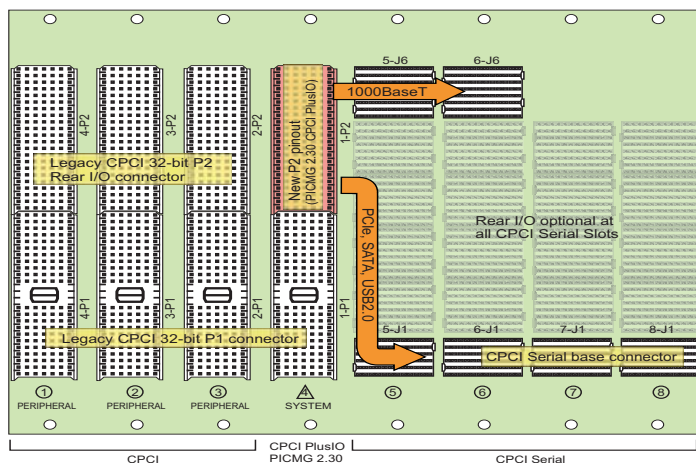
4 U, 8 SLOT, 44 HP, WITH REAR I/O



12312001



12309052



12409051

Backplane topology



- System for vertical board mounting with board format
 - Front: 3 U, 160 mm deep
 - Rear I/O: 3 U, 80 mm deep, 3 slot
- Backplane
 - 4 slot, 3 U, 32 bit, CompactPCI
 - 4 slot, 3 U, CompactPCI PlusIO
 - Power Backplane
- 19" PSU, 300 W, 3 U, 8 HP
- Heat dissipation by two radial fans, from front to rear

DELIVERY COMPRISES (completely assembled, wired and tested)

Item	Qty	Description
1	1	ratiopacPRO-air case, RAL 9006, shielded, perforated air inlet/exhaust openings front and rear; front handles RAL 7016
2	8	Front slot; IEEE guide rails, incl. ESD clips (ESD clips fitted at bottom front), for vertical boards (3 U, 160 mm deep)
3	3	Rear slot; IEEE guide rails, incl. ESD clips (ESD clips fitted at bottom), for vertical rear I/O boards (3 U, 80 mm deep)
4	1	Backplane for 3 U boards; 8 slots comprising 4 slots 32-bit CompactPCI plus 4 slots CompactPCI PlusIO (PICMG 2.30, part no. 23007-601)
5	1	Power backplane, 3 U, 8 HP with 1 x P47 connector part no. 23098-393)
6	1	19" compatible power supply, 300 W (3 U, 8 HP; part no. 13100-143) , Wide input voltage range 90...264VAC with power factor correction (PFC), VAC (3,3 V/40 A, 5 V/40 A, 12 V/10 A,-12 V/2 A)
7	1	AC input module, 3 U, 8 HP; AC line filter, 110 ... 250 V _{AC} , 50 ... 60 HZ, max. current 10 A
8	2	Radial fan, 36 m ³ /h each, free blowing
9	1	Front panel, front, 3 U, 4 HP, removable
10	1	Front panel, rear, 3 U, 24 HP
11	1	Cable harness to connect all system components

Height U	Height mm	Width HP	Depth mm	Number of slots	Part no.
4	177	44	275	8	24579-605

Accessories

Equipment cables	Page 8.88
Front panels	Page 7.5
Modules to mount drive units	Page 8.110
Front panels with handle (Plug-in Units)	Page 7.32
Fan control modules (FCM)	Page 8.108

Note

- Modified systems available on request
- System in accordance with IEC 60297-3-101, -102, -103; IEEE 1101.1, 1101.10/11; backplane in accordance with PICMG 2.0 rev. 3.0 and 2.30

Systems – CompactPCI subrack systems

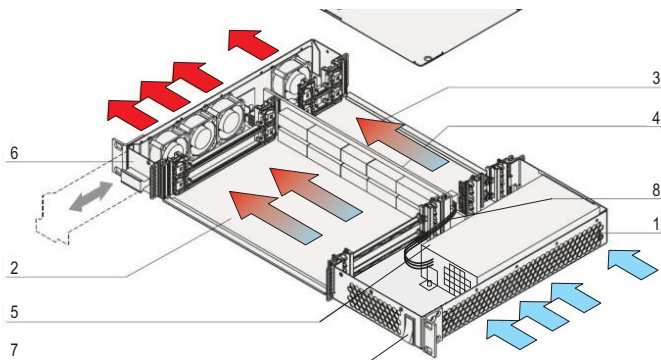
SYSTEMS, 1, 2, 3 U, WITH REAR I/O AND ATX PSU



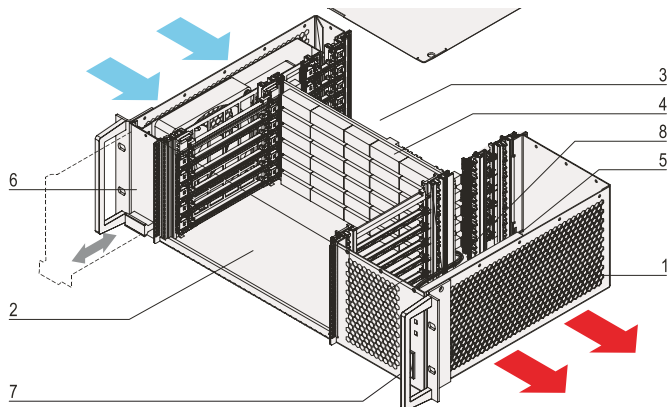
12305001



12305005



12304055



12304060

- System for horizontal board mounting with board format
 - Front: 6 U, 160 mm deep
 - Rear, rear I/O: 6 U, 80 mm deep
- Backplane: 2, 4, 6 slot, 64 bit; system slot on left
- ATX PSU
- Heat dissipation by extractable hot-swap fan unit;
 - in 1 U system from right to left;
 - in 2 and 3 U systems from left to right

DELIVERY COMPRISES (completely assembled, wired and tested)

Item	Qty	Description
1	1	Shielded 19" chassis, St, powder-coated, black, RAL 9005
2	1	Number of front slots see Order Information; IEEE guide rails, incl. ESD clips (ESD clips fitted to front left), for horizontal board mounting (6 U, 160 mm deep)
3	1	Number of rear slots see Order Information; IEEE guide rails, incl. ESD clips (ESD clips fitted to front left), for horizontal mounting of rear I/O boards (6 U, 80 mm deep)
4	1	Backplane for 6 U boards, for number of slots see Order Information, 64 bit; system slot on the left
5	1	ATX PSU, wide input range 100 ... 240 V _{AC} (rating data see Order Information); IEC plug, switch (controls DC power only), LED (Power ON); Fan
6	1	Hot-swap fan unit, number of fans see Order Information
7	1	Mains switch
8	1	Cable harness to connect all system components

Note

- Modified systems available on request
- System in accordance with IEC 60297-3-101, -102, -103; IEEE 1101.1, 1101.10/11; backplane in accordance with PICMG 2.0 rev. 3.0 and 2.30

ORDER INFORMATION

Height	Depth	Backplane	Fan unit	Power supply	Part no.
U	mm	Slots	Number of fans		
1	43.65	2 slot, 6 U	4	ATX 250 W, 3.3 V/14 A, 5 V/23 A, 12 V/16 A, -12 V/0.5 A	24579-077
2	88.10	4 slot, 6 U	2	ATX 250 W, 3.3 V/14 A, 5 V/20 A, 12 V/16 A, -12 V/0.8 A	24579-081

*) Systems with additional heat dissipation in rear I/O space for 3 U systems available on request



Accessories

Equipment cables	Page 8.88
Front panels	Page 7.5
Modules to mount drive units	Page 8.110
Front panels with handle (Plug-in Units)	Page 7.32
Fan control modules (FCM)	Page 8.108

Systems – CompactPCI subrack systems

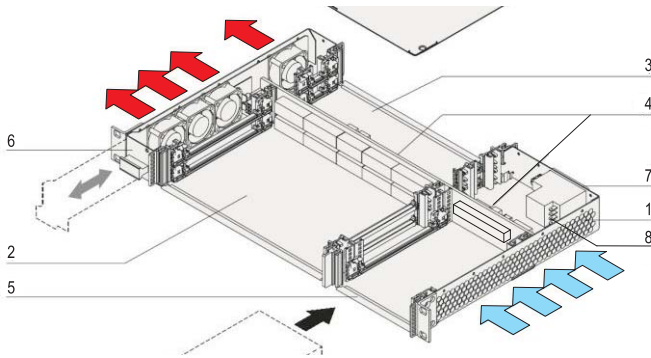
SYSTEMS, 1, 2, 3, 4 U, WITH REAR I/O, FOR 19" PSU



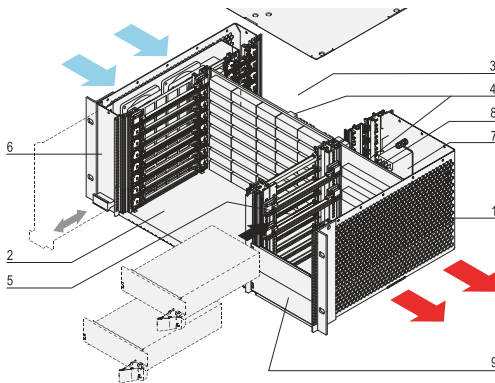
12305002



12305007



12304056



- System for horizontal board mounting with board format
 - Front: 6 U, 160 mm deep
 - Rear, rear I/O: 6 U, 80 mm deep
- Monolithic backplane for signals and power
 - 2, 4, 6, 8 slot, 6 U, 64 bit; system slot on left
 - Power plug to PICMG 2.11 (P 47)
- Prepared for installation of 19" CompactPCI PSUs (3 U, 8 HP)
- Heat dissipation by extractable hot swap fan unit; 1 U system from right to left; in 2, 3 and 4 U systems from left to right

DELIVERY COMPRISES (completely assembled, wired and tested)

Item	Qty	Description
1	1	Shielded 19" chassis, St, powder-coated, black, RAL 9005
2	1	Number of slots to front see Order Information; IEEE guide rails, incl. ESD clips (ESD clips fitted front right), for horizontal board mounting (6 U, 160 mm deep)
3	1	Number of rear slots see Order Information; IEEE guide rails, incl. ESD clips (ESD clips fitted front right), for horizontal mounting of rear I/O boards (6 U, 80 mm deep)
4	1	Monolithic backplane for 6 U boards and voltage supply, for number of slots see Order Information, 64 bit; system slot left, in accordance with PICMG 2.0 rev. 3.0, voltage supply: 1 x P 47 socket for 1 U, 2 x P 47 socket for 2, 3, 4 U
5	1	Installation space for 19" CompactPCI power supply unit (3 U, 8 HP; For quantity see Order Information)
6	1	Hot-swap fan unit, number of fans see Order Information
7	1	AC input (IEC plug), mains filter module, fuse, mains switch
8	1	Cable harness to connect all system components
9	1	3 U, 8 HP front panel, mounted at front, from 2 U system

Note

- Modified systems available on request
- 48 V_{DC} version on request
- System in accordance with IEC 60297-3-101, -102, -103; IEEE 1101.1, 1101.10/11; backplane in accordance with PICMG 2.0 rev. 3.0 and 2.30

ORDER INFORMATION

Height U	Height mm	Depth mm	Backplane Slots	Fan unit Number of fans	Power supply (please order separately)	Quantity Connector type	Part no.
1	43.65	275	2 slot, 6 U	4	1	1 x P 47	24579-078
2	88.10	275	4 slot, 6 U	2	2	2 x P 47	24579-082
3	132.50	275	6 slot, 6 U	1 *)	2 ... 3	2 x P 47	24579-080
4	177.00	275	8 slot, 6 U	4 *)	2 ... 4	2 x P 47	24579-106

19" compatible power supply, 300 W, 3 U, 8 HP Please order PSU separately, see page 9.21

13100-143

*) Systems with additional heat dissipation in rear I/O space for 3 U and 4 U systems available on request



Accessories

Equipment cables	Page 8.88
Front panels	Page 7.5
Modules to mount drive units	Page 8.110
Front panels with handle (Plug-in Units)	Page 7.32
Fan control modules (FCM)	Page 8.108

Systems – CompactPCI subrack systems

SYSTEM, 3 U, 8 SLOT, WITH REAR I/O

- System for vertical board mounting with board format
 - Front: 3 U, 160 mm deep
 - Rear, rear I/O: 3 U, 80 mm deep
- Backplane
 - 8 slot, 3 U, 32 bit; system slot on right
 - 8 HP wide CPU can be used
- ATX PSU, 300 W
- Heat dissipation by convection, upward from below

DELIVERY COMPRISES (completely assembled, wired and tested)

Item	Qty	Description
1	1	Shielded 19" chassis, Al; perforated top cover and base plate; 2 front handles
2	8	Front slot; IEEE guide rails, incl. ESD clips (ESD clips fitted bottom front), for vertical boards (3 U, 160 mm deep)
3	8	Rear slot; IEEE guide rails, incl. ESD clips (ESD clips fitted bottom), for vertical rear I/O boards (3 U, 80 mm deep)
4	1	Backplane for 3 U boards; 8 slot, 32 bit (part no. 23006-818); system slot on right, 4 HP (8 HP wide CPU can be used)
5	1	ATX power supply; 300 W; 32 HP, wide input range 100 ... 240 V _{AC} (3.3 V/28 A, 5 V/35 A, 12 V/22 A, -12 V/0.8 A); IEC AC input module with socket; mains switch; fan
6	1	Front panel front, 3 U, 8 HP
7	1	Front panel, front, 3 U, 4 HP, to expand system slot to 8 HP
8	1	Front panel, rear, 3 U, 4 HP
9	1	Front panel, rear, 3 U, 48 HP
10	1	Cable harness to connect all system components

ORDER INFORMATION

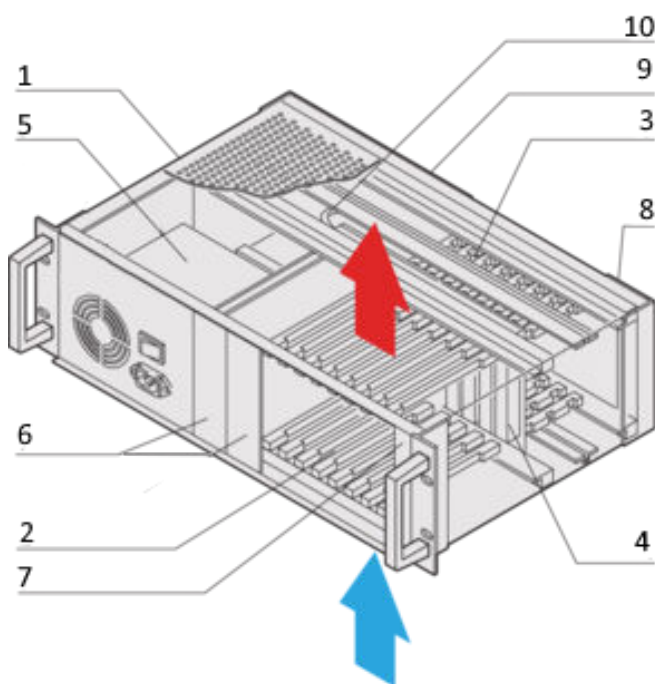
Height	Height	Depth	Number of slots	Part no.
U	mm	mm		
3	132.55	275	8	24579-031

Accessories

DC fan 12 V, air flow volume 140 m ³ /h, 119 x 119 x 32 mm, 1 piece	60713-600
Air filter consisting of filter holder and filter mat, PU 1 set	24579-033
Equipment cables	Page 8.88
Front panels	Page 7.5
Modules to mount drive units	Page 8.110
Front panels with handle (Plug-in Units)	Page 7.32
Fan control modules (FCM)	Page 8.108

Note

- Modified systems available on request
- System in accordance with IEC 60297-3-101, -102, -103; IEEE 1101.1, 1101.10/11; backplane in accordance with PICMG 2.0 rev. 3.0 and 2.30



Systems – CompactPCI subrack systems

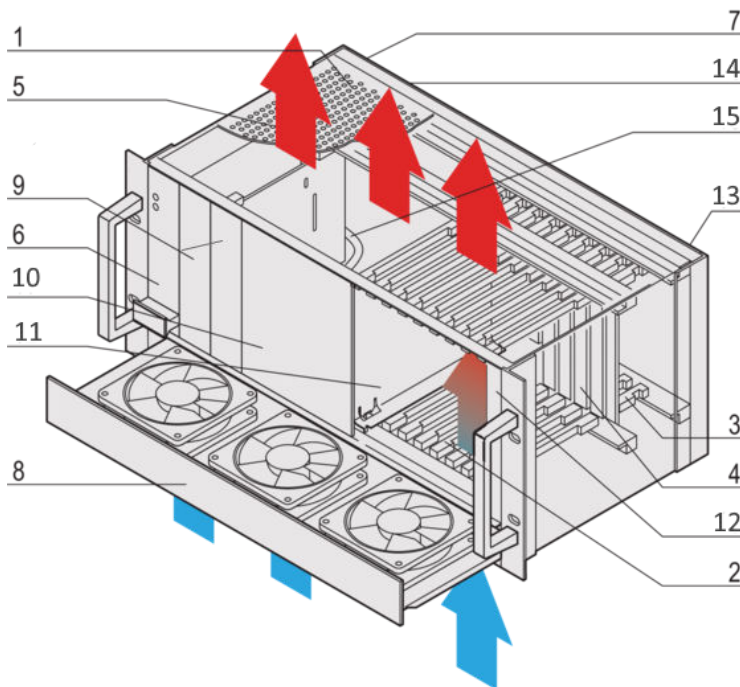
SYSTEM, 4 U, 8 SLOT, WITH REAR I/O, 19"-COMPATIBLE PSU



- System for vertical board mounting with board format
 - Front: 3 U, 160 mm deep
 - Rear, rear I/O: 3 U, 80 mm deep
- Backplane
 - 8 slot, 3 U, 32 bit; system slot on right
 - 8 HP wide CPU can be used, power backplane
- 19"-compatible PSU, 300 W, 3 U, 8 HP

DELIVERY COMPRISES (completely assembled, wired and tested)

Item	Qty	Description
1	1	Shielded 19" chassis, Al; perforated top cover and base plate; front handles
2	8	Front slot; IEEE guide rails, incl. ESD clips (ESD clips fitted to bottom front), for vertical boards (3 U, 160 mm deep)
3	8	Rear slot; IEEE guide rails, incl. ESD clips (ESD clips fitted to bottom), for vertical rear I/O boards (3 U, 80 mm deep)
4	1	Backplane for 3 U boards; 8 slot, 32 bit (part no. 23006-818); system slot on right, 4 HP (8 HP wide CPU can be used)
5	1	Power backplane, 3 U, 8 HP with 1 x P47 plug part, no. 23098-393
6	1	19" compatible power supply, 300 W (3 U, 8 HP; part no. 13100-143), Wide input voltage range 90...264VAC with power factor correction (PFC), VAC (3,3 V/40 A, 5 V/40 A, 12 V/10 A,-12 V/2 A)
7	2	AC input module, 3 U, 8 HP; AC line filter, 110 ... 250 V _{AC} , 50 ... 60 HZ, max. current 10 A
8	1	Hot-swap fan tray, extractable, 1 U, 3 x 12 V _{DC} fans
9	2	Front panel front, 3 U, 8 HP
10	1	Front panel front, 3 U, 24 HP
11	1	Air baffle, 3 U, 160 mm deep
12	1	Front panel, front, 3 U, 4 HP, removable, to expand system slot to 8 HP
13	1	Front panel, rear, 3 U, 4 HP
14	1	Front panel, rear, 3 U, 40 HP
15	1	Cable harness to connect all system components



ORDER INFORMATION

Height U	Height mm	Width HP	Depth mm	Number of slots	Part no.
4	177	84	275	8	24579-260

Accessories

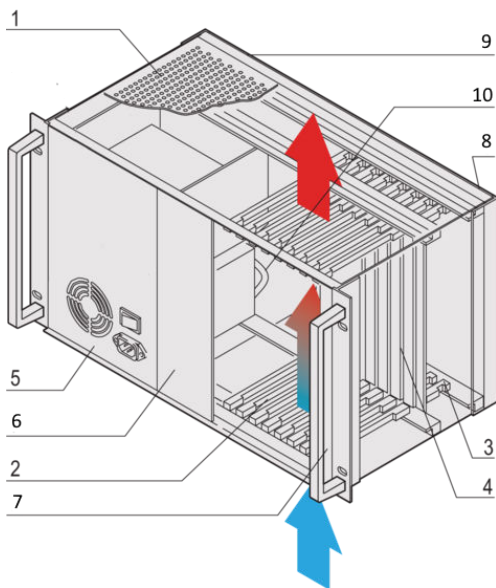
Air filter consisting of filter holder and filter mat, PU 1 set	24579-033
Equipment cables	Page 8.88
Front panels	Page 7.5
Modules to mount drive units	Page 8.110
Front panels with handle (Plug-in Units)	Page 7.32
Fan control modules (FCM)	Page 8.108

Note

- Modified systems available on request
- System in accordance with IEC 60297-3-101, -102, -103; IEEE 1101.1, 1101.10/11; backplane in accordance with PICMG 2.0 rev. 3.0 and 2.30

Systems – CompactPCI subrack systems

6 U, 8 SLOT, WITH REAR I/O



- System for vertical board mounting with board format
 - Front: 6 U, 160 mm deep
 - Rear, rear I/O: 6 U, 80 mm deep
- Backplane
 - 8 slot, 6 U, 64 bit; system slot to right
 - 8 HP wide CPU can be used
- ATX PSU, 300 W
- Heat dissipation by convection, from bottom to top

DELIVERY COMPRISES (completely assembled, wired and tested)

Item	Qty	Description
1	1	Shielded 19" chassis, Al; perforated top cover and base plate; 2 front handles
2	8	Front slot; IEEE guide rails, incl. ESD clips (ESD clips fitted to bottom front), for vertical boards (6 U, 160 mm deep)
3	8	Rear slot; IEEE guide rails, incl. ESD clips (ESD clips fitted to bottom), for vertical rear I/O boards (6 U, 80 mm deep)
4	1	Backplane for 6 U boards; 8 slot, 64 bit (part no. 23006-868); system slot on right, 4 HP (8 HP wide CPU can be used)
5	1	ATX power supply, 300 W, 32 HP, wide input range 100 ... 240 V _{AC} (3.3 V/28 A, 5 V/35 A, 12 V/22 A, -12 V/0.8 A); IEC AC input module with socket; mains switch; fan
6	1	Front panel, front, 6 U, 16 HP
7	1	Front panel, front, 6 U, 4 HP, removable, to expand system slot to 8 HP
8	1	Front panel, rear, 6 U, 4 HP
9	1	Front panel, rear, 6 U, 48 HP
10	1	Cable harness to connect all system components

ORDER INFORMATION

Height U	Height mm	Depth mm	Number of slots	Part no.
6	265.9	275	8	24579-030

Accessories

DC fan 12 V, air flow volume 140 m ³ /h, 119 x 119 x 32 mm, 1 piece	60713-600
Air filter consisting of filter holder and filter mat, PU 1 set	24579-033
Equipment cables	Page 8.88
Front panels	Page 7.5
Modules to mount drive units	Page 8.110
Front panels with handle (Plug-in Units)	Page 7.32
Fan control modules (FCM)	Page 8.108

Note

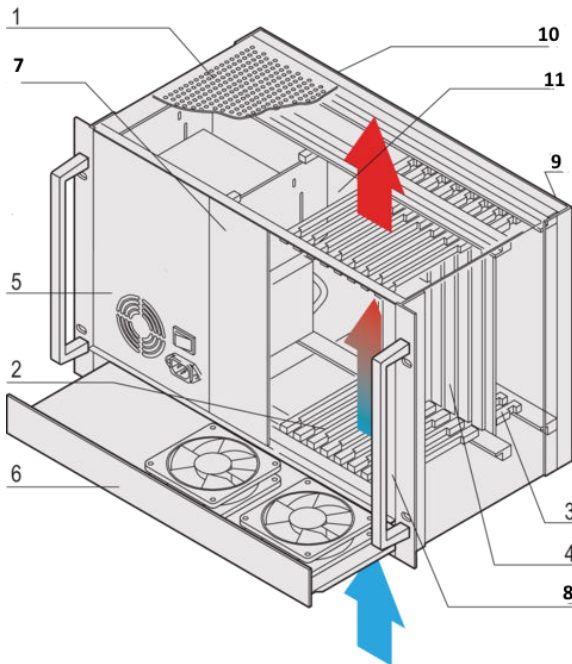
- Modified systems available on request
- System in accordance with IEC 60297-3-101, -102, -103; IEEE 1101.1, 1101.10/11; backplane in accordance with PICMG 2.0 rev. 3.0 and 2.30



Open Modular
Computing Specifications

Systems – CompactPCI subrack systems

SYSTEM, 7 U, 8 SLOT, WITH REAR I/O



- System for vertical board mounting with board format
 - Front: 6 U, 160 mm deep
 - Rear, rear I/O: 6 U, 80 mm deep
- Backplane
 - 8 slot, 6 U, 64 bit, system slot to right
 - 8 HP wide CPU can be used
- ATX PSU, 300 W
- Heat dissipation by 1 U hot-swap fan unit, from bottom to top

DELIVERY COMPRISES (completely assembled, wired and tested)

Item	Qty	Description
1	1	Shielded 19" chassis, Al; perforated top cover and base plate; Front handles
2	8	Front slot; IEEE guide rails, incl. ESD clips (ESD clips fitted to bottom front), for vertical boards (6 U, 160 mm deep)
3	8	Rear slot; IEEE guide rails, incl. ESD clips (ESD clips fitted to bottom), for vertical rear I/O boards (6 U, 80 mm deep)
4	1	Backplane for 6 U boards; 8 slot, 64 bit (part no. 23006-868 ; system slot on right, 4 HP (8 HP wide CPU can be used)
5	1	ATX power supply, 300 W, 32 HP, wide input range 100 ... 240 V _{AC} (3.3 V/28 A, 5 V/35 A, 12 V/22 A, -12 V/0.8 A); IEC AC input module with socket; mains switch; fan
6	1	Hot-swap fan tray, extractable, 1 U, 2 x 12 V _{DC} fans
7	1	Front panel, front, 6 U, 16 HP
8	1	Front panel, front, 6 U, 4 HP, removable, to expand system slot to 8 HP
9	1	Front panel, rear, 6 U, 4 HP
10	1	Front panel, rear, 6 U, 48 HP
11	1	Cable harness to connect all system components

ORDER INFORMATION

Height U	Height mm	Depth mm	Number of slots	Part no.
7	310.35	275	8	24579-026

Accessories

Air filter consisting of filter holder and filter mat, PU 1 set	24579-033
Equipment cables	Page 8.88
Front panels	Page 7.5
Modules to mount drive units	Page 8.110
Front panels with handle (Plug-in Units)	Page 7.32
Fan control modules (FCM)	Page 8.108

Note

- Modified systems available on request
- System in accordance with IEC 60297-3-101, -102, -103; IEEE 1101.1, 1101.10/11; backplane in accordance with PICMG 2.0 rev. 3.0 and 2.30

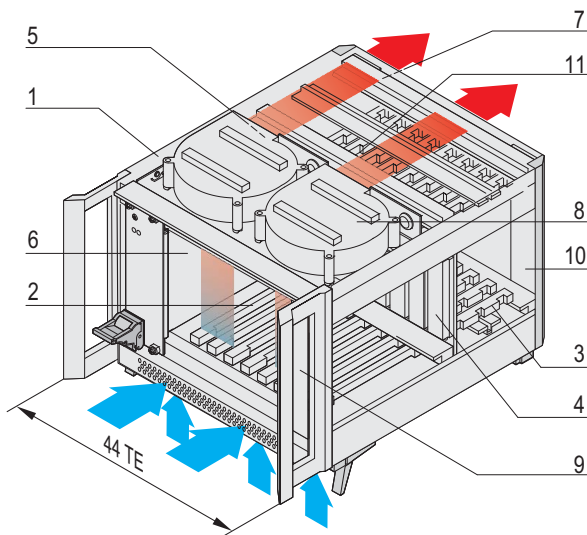


Systems – CompactPCI case systems

SYSTEM, 4 U, 8 SLOT, 44 HP, WITH REAR I/O



12309003



12309052

- System for vertical board mounting with board format
 - Front: 3 U, 160 mm deep
 - Rear, rear I/O: 3 U, 80 mm deep
- Backplane
 - 8 slot, 3 U, 32 bit, system slot on right
 - 8 HP wide CPU can be used
- 19" PSU, 300 W, 3 U, 8 HP
- Heat dissipation by two radial fans, from front to rear

DELIVERY COMPRISES (completely assembled, wired and tested)

Item	Qty	Description
1	1	ratiopacPRO-air case, RAL 9006, shielded, perforated air inlet/exhaust openings front and rear; front handles RAL 7016
2	8	Front slot; IEEE guide rails, incl. ESD clips (ESD clips fitted to bottom front), for vertical boards (3 U, 160 mm deep)
3	8	Rear slot; IEEE guide rails, incl. ESD clips (ESD clips fitted to bottom), for vertical rear I/O boards (3 U, 80 mm deep)
4	1	Backplane for 3 U boards; 8 slot, 32 bit (part no. 23006-818); system slot on right, 4 HP (8 HP wide CPU can be used)
5	1	Power backplane, 3 U, 8 HP with 1 x P47 plug, part no. 23098-393
6	1	19" compatible power supply, 300 W (3 U, 8 HP; part no. 13100-143), Wide input voltage range 90...264VAC with power factor correction (PFC), VAC (3,3 V/40 A, 5 V/40 A, 12 V/10 A,-12 V/2 A)
7	1	AC input module, 3 U, 8 HP; AC line filter, 110 ... 250 V _{AC} , 50 ... 60 HZ, max. current 10 A
8	2	Radial fan, 36 m ³ /h each, free blowing
9	1	Front panel, front, 3 U, 4 HP, removable, to expand system slot to 8 HP
10	1	Front panel, rear, 3 U, 4 HP
11	1	Cable harness to connect all system components

ORDER INFORMATION

Height U	Height mm	Width HP	Depth mm	Number of slots	Part no.
4	177	44	275	8	24579-604

Accessories

Equipment cables	Page 8.88
Front panels	Page 7.5
Modules to mount drive units	Page 8.110
Front panels with handle (Plug-in Units)	Page 7.32
Fan control modules (FCM)	Page 8.108

Note

- Modified systems available on request
- System in accordance with IEC 60297-3-101, -102, -103; IEEE 1101.1, 1101.10/11); Backplane, conforms to PICMG 2.0 rev. 3.0



Open Modular
Computing Specifications

Systems – CompactPCI case systems

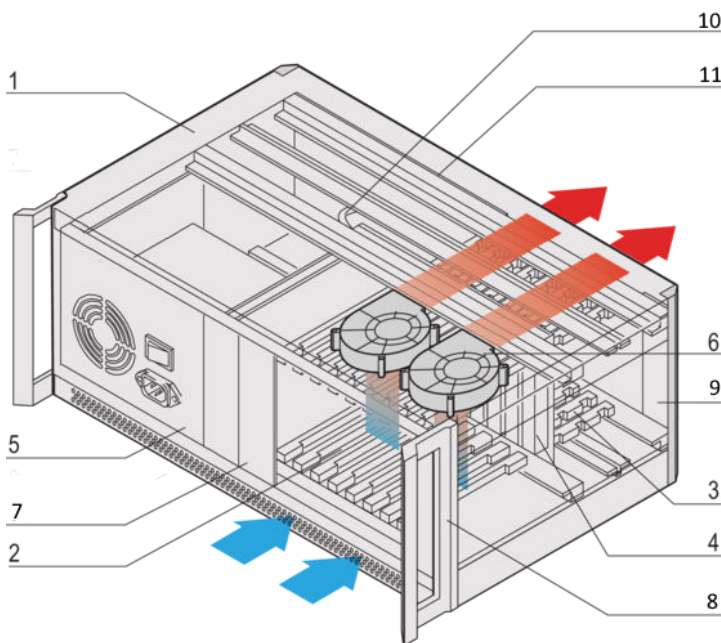
SYSTEM, 4 U, 8 SLOT, WITH REAR I/O



- System for vertical board mounting with board format
 - Front: 3 U, 160 mm deep
 - Rear, rear I/O: 3 U, 80 mm deep
- Backplane
 - 8 slot, 3 U, 32 bit, system slot to right
 - 8 HP wide CPU can be used
- ATX PSU, 300 W
- Heat dissipation by two radial fans, front to rear

DELIVERY COMPRISES (completely assembled, wired and tested)

Item	Qty	Description
1	1	ratiopacPRO-air case, RAL 9006, shielded, perforated air inlet/exhaust openings front and rear; front handles RAL 7016
2	8	Front slot; IEEE guide rails, incl. ESD clips (ESD clips fitted to bottom front), for vertical boards (3 U, 160 mm deep)
3	8	Rear slot; IEEE guide rails, incl. ESD clips (ESD clips fitted to bottom), for vertical rear I/O boards (3 U, 80 mm deep)
4	1	Backplane for 3 U boards; 8 slot, 32 bit (part no. 23006-818); system slot on right, 4 HP (8 HP wide CPU can be used)
5	1	ATX power supply, 300 W, wide range input 100 ... 240 V _{AC} , (3.3 V/28 A, 5 V/35 A, 12 V/22 A, -12 V/0.8 A); IEC AC input module with socket; mains switch; fan; 32 HP
6	2	Radial fan, 36 m ³ /h each, free blowing
7	1	Front panel, front, 3 U, 8 HP
8	1	Front panel, front, 3 U, 4 HP, removable, to expand system slot to 8 HP
9	1	Front panel, rear, 3 U, 4 HP
10		Front panel, rear, 3 U, 48 HP
11	1	Cable harness to connect all system components



ORDER INFORMATION

Height U	Height mm	Depth mm	Number of slots	Part no.
4	177	275	8	24579-602

Accessories

Spare fan unit Air barrier with 2 fitted radial fans, 1 piece	24579-225
Equipment cables	Page 8.88
Front panels	Page 7.5
Modules to mount drive units	Page 8.110
Front panels with handle (Plug-in Units)	Page 7.32
Fan control modules (FCM)	Page 8.108

Note

- Modified systems available on request
- System in accordance with IEC 60297-3-101, -102, -103; IEEE 1101.1, 1101.10/11); Backplane, conforms to PICMG 2.0 rev. 3.0

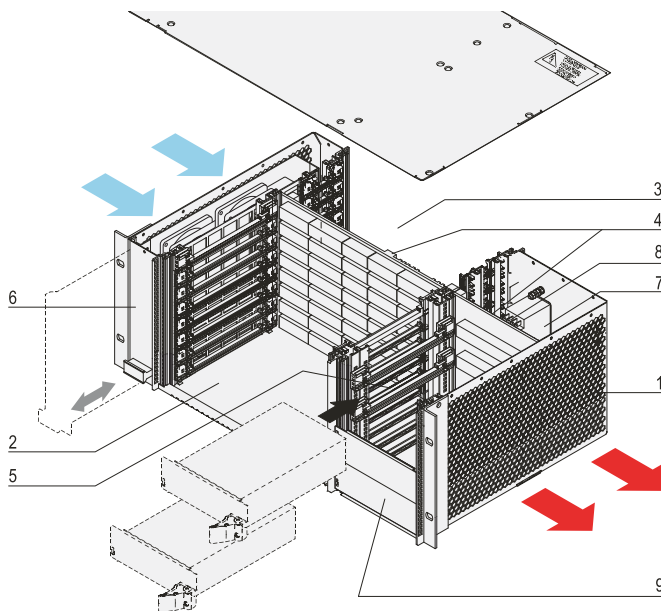


Systems – CompactPCI subrack systems

SYSTEM, 4 U, 8 SLOT, WITH REAR I/O, FOR TELECOMS APPLICATIONS



12306003



12305050



- System for horizontal board mounting with board format
 - Front: 6 U, 160 mm deep
 - Rear, rear I/O: 6 U, 80 mm deep
- Monolithic backplane for (signals and power) 64-bit CompactPCI; PSB (**P**ackage **S**witched **B**ackplane), PICMG 2.16; H.110
 - 8 slot, 6 U, 64 bit CompactPCI (2 fabric/switch slots, 6 node slots H.110), system slot to left
 - Integrated power backplane with 2 x P 47 connectors
- Prepared to accept two 19" CompactPCI PSUs 300 W (3 U, 8 HP)
- Heat dissipation by extractable hot-swap fan unit, from left to right

DELIVERY COMPRISES (completely assembled, wired and tested)

Item	Qty	Description
1	1	Shielded 19" chassis, St, powder-coated, black, RAL 9005
2	8	Front slot; IEEE guide rails, incl. ESD clips (ESD clips fitted to front right), for horizontal board mounting (6 U, 160 mm deep)
3	8	Rear slot; IEEE guide rails, incl. ESD clips (ESD clips fitted to front right), for horizontal mounting of rear I/O boards (6 U, 80 mm deep)
4	1	Backplane for 6 U boards and voltage supply (2 x P 47 sockets); 64-bit CompactPCI; PSB, 2 fabric/switch slots; 6 node H.110 bus slots; part no. <u>23006-611</u>
5	-	Prepared to accommodate two 19" CompactPCI PSUs (300 W, 3 U, 8 HP), part no. <u>13100-143</u>
6	1	Hot-swap fan unit, 4 fans, each 109 m ³ /h (64 cfm)
7	1	AC input (IEC plug), mains filter module, fuse, mains switch
8	1	Cable harness to connect all system components
9	2	Front panel front, 3 U, 8 HP

ORDER INFORMATION

Height	Height	Depth	Number of	Part no.
U	mm	mm	slots	
4	177	275	8	24579-135

Accessories

19" compatible power supply, 300 W, 3 U, 8 HP Please order PSU separately, see page 9.21	13100-143
--	------------------

Equipment cables	Page 8.88
Front panels	Page 7.5
Modules to mount drive units	Page 8.110
Front panels with handle (Plug-in Units)	Page 7.32
Fan control modules (FCM)	Page 8.108

Note

- Modified systems available on request
- System in accordance with IEC 60297-3-101, -102, -103; IEEE 1101.1, 1101.10/11); Backplane, conforms to PICMG 2.16

Systems – CompactPCI subrack systems

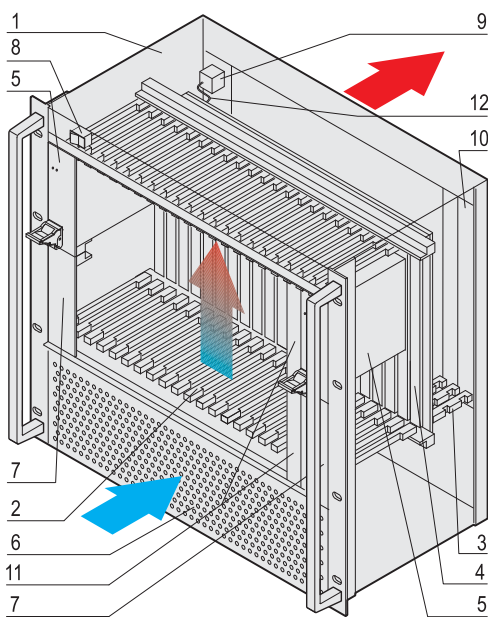
SYSTEM, 10 U, 16 SLOT, WITH REAR I/O, FOR TELECOMS APPLICATIONS



- System for vertical board mounting with board format
 - Front: 6 U, 160 mm deep
 - Rear, rear I/O: 6 U, 80 mm deep
- Backplane, PSB (**p**ackage **s**witched **b**ackplane), PICMG 2.16
 - 16-slot, 6 U, 64 bit (2 fabric/switch slots, 14 node slots)
- Two 19" CompactPCI power supplies, 300 W (3 U, 8 HP), prepared for installation of two further 19" compatible PSUs
- Heat dissipation by fan module, from front to rear
- Prepared for system monitoring with a chassis monitoring module (CMM)

DELIVERY COMPRISES (completely assembled, wired and tested)

Item	Qty	Description
1	1	Shielded 19" chassis, Al; perforated front panel to front and rear, 19" bracket in RAL 9006; remaining parts passivated in aluminium; front handles (RAL 9005)
2	16	Front slot; IEEE guide rails, incl. ESD clips (ESD clips fitted to bottom front), for vertical boards (6 U, 160 mm deep)
3	16	Rear slot; IEEE guide rails, incl. ESD clips (ESD clips fitted to front bottom), for vertical mounting of rear I/O boards (6 U, 80 mm deep)
4	1	PSB backplane for 6 U boards, 64 bit, 2 fabric/switch slots, 14 node slots, 2 CompactPCI segments, system slot left and right; part no. 23006-610
5	2	19" compatible power supply, 300 W (3 U, 8 HP; part no. 13100-143), Wide input voltage range 90...264VAC with power factor correction (PFC), VAC (3,3 V/40 A, 5 V/40 A, 12 V/10 A,-12 V/2 A)
6	1	Extractable fan unit with filter mat, 3 fans, 24 V _{DC} , 270 m ³ /h (160 cfm)
7	2	Front panel, front, 3 U, 8 HP, space for two further power supplies
8	1	DC switch on front
9	1	AC input (IEC connector), mains filter module, fuse, 6 U, 8 HP
10	1	Front panel, rear, 6 U, 8 HP
11	2	Front panel, front, 3 U, 4 HP, cover for optional CMM module space
12	1	Cable harness to connect all system components



12302005

12303058

ORDER INFORMATION

Height U	Height mm	Depth mm	Number of slots	Part no.
10	443.7	275	16	24579-028

Accessories

19" compatible power supply, 300 W, 3 U, 8 HP Please order PSU separately, see page 9.21	13100-143
Chassis monitoring module (CMM) 3 U, 4 HP, 160 mm deep, 1 piece. Please order PSU separately, see page 8.109	23207-022
Equipment cables	Page 8.88
Front panels	Page 7.5
Modules to mount drive units	Page 8.110
Front panels with handle (Plug-in Units)	Page 7.32
Fan control modules (FCM)	Page 8.108

Note

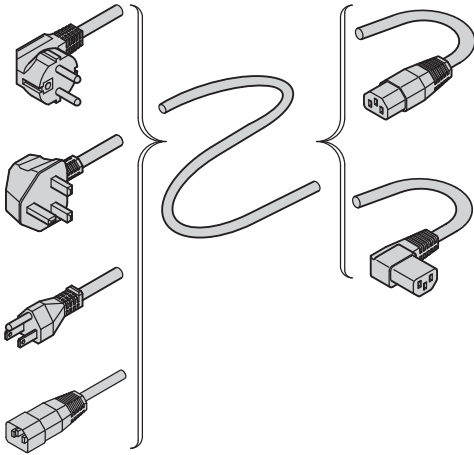
- Modified systems available on request
- System in accordance with IEC 60297-3-101, -102, -103; IEEE 1101.1, 1101.10/11); Backplane, conforms to PICMG 2.16



Open Modular
Computing Specifications

Equipment Cables

MAINS CABLES



AZA43067

- Applications:
 - Fans, cabinet lights, etc.
 - Industrial PC connections
 - Uninterruptible power supplies
 - Systems

DELIVERY COMPRISES

Item	Qty	Description
1	1	Mains cable, PVC, max. 250 V _{AC} , max. 10 A

ORDER INFORMATION

Plug, mains/line side	Socket IEC 60320 C13, equipment side	Length mm	Colour	For application in	Approvals/certifications	Part no.
SCHUKO/UTE		2500	black	Germany, France, Norway, The Netherlands, Sweden, Finland, Spain, Turkey, Belgium, Luxemburg		62150-191
		2500	grey (to DIN 47732)	Austria, Portugal, Greece,		60103-131
		2500	grey (to DIN 47732)			60704-020
BS		2500	black	Great Britain, Ireland		60103-137
USA		2000	black	USA, Canada		60103-141
IEC 60320 C14		2500	black	worldwide	IEC 60320	60197-053

Systems – ServicePLUS

APPLICATION EXAMPLES



- Hybrid system, modification of a MicroTCA single-module board cage ¹²⁹⁰⁸⁰⁰⁷ into a 3 U chassis to DIN EN 60297



- CompactPCI chassis with 48 V_{DC} power supply

12309001



- CompactPCI Desktop chassis (assembled in a RatiopacPRO Case) with ATX power supply. Rear I/O option and front to rear cooling



- CompactPCI chassis with hot-swap fan unit and custom finishing

12309002

North America

Warwick, RI, USA

Tel +1.401.738.1722

San Diego, CA, USA

Tel +1.858.740.2400

Europe, Middle East & India

Straubenhardt, Germany

Tel +49 7082 794 0

Betschdorf, France

Tel +33 3 88 90 64 90

Warsaw, Poland

Tel +48 22 209 98 35

Hemel Hempstead,

Great Britain

Tel +44 1442 24 04 71

Lainate, Italy

Tel +39 02 932 714 1

Dubai, United Arab Emirates

Tel +971 4 82 38 666

Bangalore, India

Tel +91 80 6715 8900

Istanbul, Turkey

Tel +90 541 368 0941

Asia Pacific

Shanghai, China

Tel +86 21 2412 6943

Singapore

Tel +65 6768 5800

Shin-Yokohama, Japan

Tel +81 45 476 0271

Our powerful portfolio of brands:

CADDY ERICO HOFFMAN RAYCHEM SCHROFF TRACER



[nVent.com/SCHROFF](https://www.nVent.com/SCHROFF)